

Model: OLQ013863B



General Data

Power	4 W
LED type	OSRAM LED
Luminous flux	117 lm
CCT	3000K or 4000K as standard. Different CCT upon request.
CRI	80+
Beam angle	47°, 76°
Dimension	110x170x90mm
Cut out dia.	108x168x100mm
Weight (kgs)	0.6 kgs
Lamp Life	50000 hrs
SDCM	≤5
Ambient Temp.	-40°-45°
RAL Color	80+
Oper. Temp.	-30°-45°
Certifications	CE, RoHS

Construction Data

IP rating	IP54
Housing	Aluminum lamp body
Protection finishing	passivated (anodizing) anticorrosion finishing,
Glass	Tempered glass
Loading capacity	/
Cable Gland	IP54
Gasket	Silicone rubber gasket

Electrical Data

Input voltage	AC 110-240V
Cable	Cable gland for waterproof IP54

APPLICATIONS

With its classical design, This is the wall recessed solution for projects that require an attractive design and maximum visual comfort. It is designed and engineered to have a glare-free downward light distribution. The concealed horizontal glass diffuser has optimum vandal resistance.

PRODUCT DESCRIPTION

Recessed wall luminaire for outdoor installation, aluminum body, Tempered glass, Low power OSRAM LED, IP54 rating.

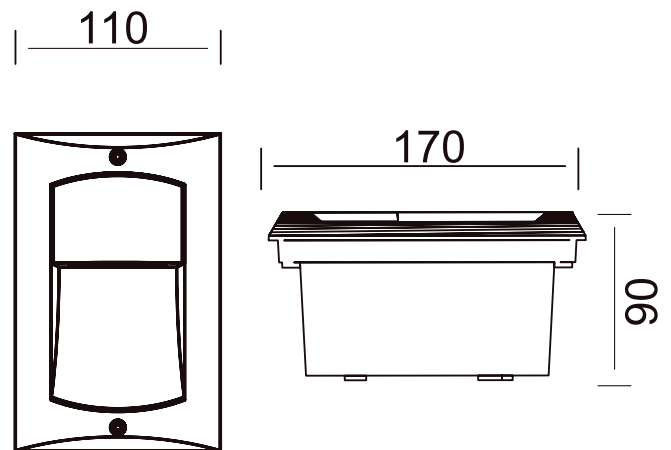
FIXTURE CONSTRUCTION

Die-casting aluminum body, with passivated (anodizing) anticorrosion finishing, Stainless steel screws, Silicon seal gaskets and cable gland for waterproof IP54

Accessories

- Mounting Sleeve /
- Clip /

Dimension Drawing

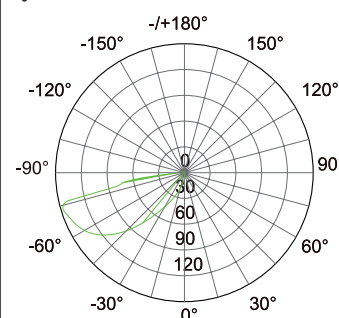


Lamp Options

Part Number	CCT	Beam angle
OLQ013863BC3B47	3000 K	47°
OLQ013863BC4B47	4000 K	47°
OLQ013863BC3B76	3000 K	76°
OLQ013863BC4B76	4000 K	76°

Photometric Data

Light Distribution Curve [Unit: cd]



Illumination Drawing

