

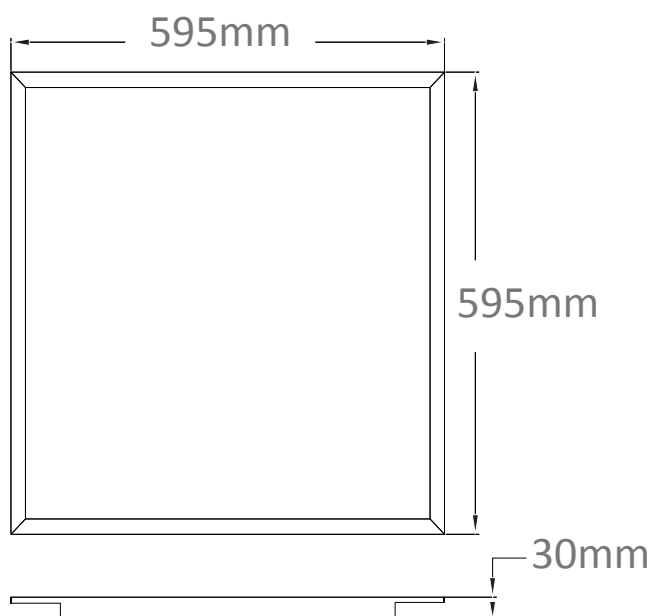
Model: XL20PNO50B



General Data

LED Type	SMD2835
Watts	50 W
Lumens	6000lm
Lamp Life	50000 hrs
CRI	>80 Ra
Beam Angle	120°
IP Rating	IP20
Weight	3.4 Kgs
Voltage	220-240V
Dimming	1-10 V / DALI
CCT	3000K/4000K/6000K
Opr. Temp.	-20 to +40
Dime. mm	595x595x9

Dimension Drawing



APPLICATIONS

Ideal for indoor general lighting for commercial and residential applications such as schools, meeting rooms, offices, hospitals, supermarket, hypermarkets, warehouses.

PRODUCT DESCRIPTION

Slim design recessed or surface mounted high output LED panels with white aluminum frame and remote driver, the panel comes with opal diffuser, IP20.

FIXTURE CONSTRUCTION

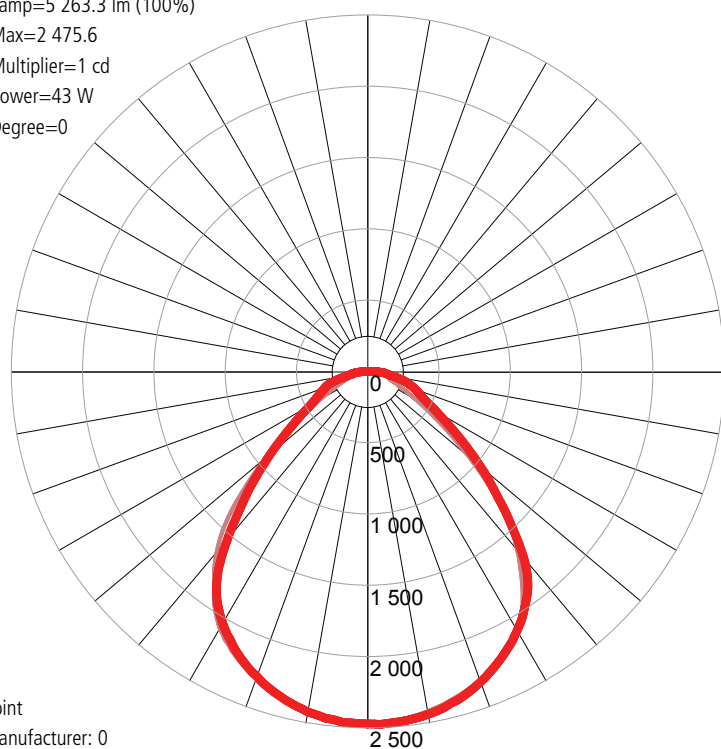
Aluminum body with opal diffuser, with remote non dimmable, dimmable, or Dali driver, excellent rendering above CRI>80, IP20.

Lamp Options

Part Number	CCT
XL20PNO50BC3	3000 K
XL20PNO50BC4	4000 K
XL20PNO50BC6	6000 K

Photometric Data

Lamp=5 263.3 lm (100%)  
Max=2 475.6  
Multiplier=1 cd  
Power=43 W  
Degree=0



Point  
Manufacturer: 0  
Luminaire catalog: 595x595-6000K  
Luminaire: 1