

XL marlin Lighting

DOWNLIGHT MO/MX Modular Trim

Model: PH89 Adjustable Pinhole- Trim



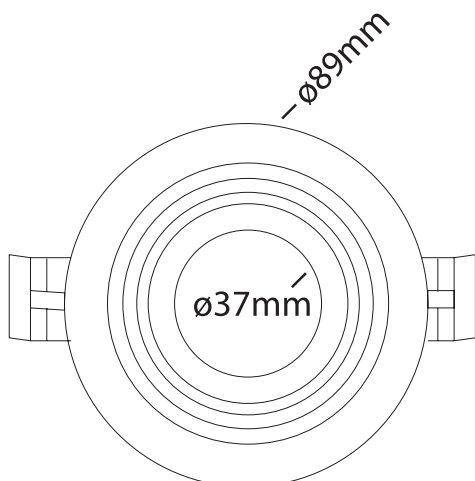
General Data

Lamp	MO/MX
Lamp Watts	5/10/15 W
Lamp Lumens	Up to 650 lm
Cut out dia. (mm)	80 mm
Weight	0.32 Kgs
IP Rating	20

Trim Options

Part Number	Trim color
PH89WH	White
PH89SL	Silver
PH89DG	Dark grey
PH89MG	Mat gold

Dimension Drawing



APPLICATIONS

Ideal for application where comfort and nice atmosphere is required like restaurants, cafes, hotels lobbies.

PRODUCT DESCRIPTION

Pinhole down light, can be powered with 5W, 10W, 15W MO & MX LED lamp, made of die cast aluminum with return springs for fixing, lamps is adjustable to give more flexibility to control the light beam.

FIXTURE CONSTRUCTION

Die Cast aluminium and powder coated paint. comes in white, silver, dark grey and mat gold.

Trim can be powered with:

MO Modular



MX5 Modular



MX10 Modular



MX15 Modular

MX Modular



MX5 Modular



MX10 Modular



MX15 Modular