

Model: OLWL3019



General Data

Power	3 W
LED type	Cree XPE-2
Luminous flux	180 lm
CCT	3000K or 4000K as standard. Different CCT upon request.
CRI	80+
Beam angle	63°
Dimension	83x83x45mm
Cut out dia.	65mm
Lamp Life	50000 hrs
SDCM	≤3
Ambient Temp.	-40°-45°
RAL Color	80+
Oper. Temp.	-30°-45°
Certifications	CE, RoHS

Construction Data

IP rating	IP65
Housing	Aluminum lamp body
Protection finishing	passivated (anodizing) anticorrosion finishing,
Glass	Tempered glass
Loading capacity	/
Cable Gland	IP65
Gasket	Silicone rubber gasket

Electrical Data

Input voltage	AC240V
Cable	/

APPLICATIONS

With its classical design, This is the wall recessed solution for projects that require an attractive design and maximum visual comfort. It is designed and engineered to have a glare-free downward light distribution. The concealed horizontal glass diffuser has optimum vandal resistance.

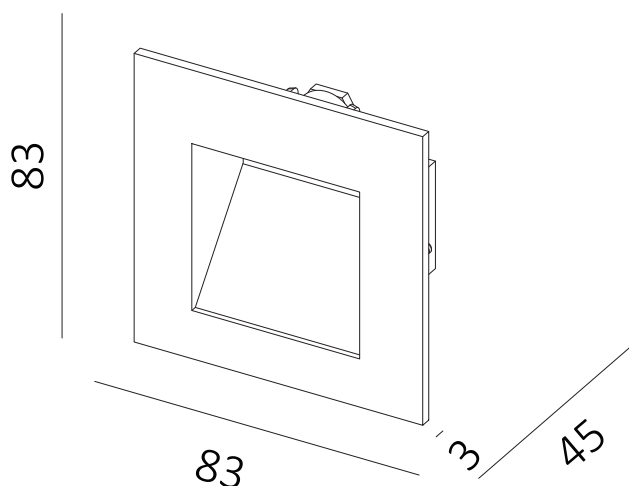
PRODUCT DESCRIPTION

Recessed wall luminaire for outdoor installation, aluminum body, Tempered glass, Low power Cree XPE-2, IP65 rating.

FIXTURE CONSTRUCTION

Die-casting aluminum body, with passivated (anodizing) anticorrosion finishing, Stainless steel screws, Silicon seal gaskets and cable gland for waterproof IP65

Dimension Drawing



Lamp Options

Part Number	CCT	Beam angle
OLWL3019C3B63	3000 K	63°
OLWL3019C4B63	4000 K	63°

Photometric Data

