

XL marlin Lighting

DOWNLIGHT MO/MX Modular Trim

Model: SDF2 Square Twin- Trim



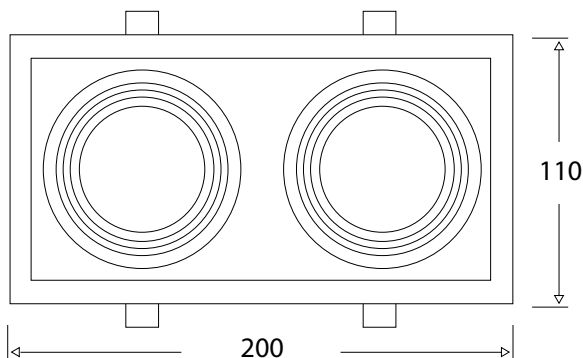
General Data

| | |
|-------------------|--------------|
| Lamp | MO/MX |
| Lamp Watts | 5/10/15 W |
| Lamp Lumens | Up to 650 lm |
| Cut out dia. (mm) | 80 mm |
| Weight | 0.32 Kgs |
| IP Rating | 20 |

Trim Options

| Part Number | Trim color |
|-------------|------------|
| SDF2WH | White |
| SDF2SL | Silver |
| SDF2DG | Dark grey |
| SDF2MG | Mat gold |

Dimension Drawing



APPLICATIONS

Ideal for application where comfort and nice atmosphere is required like restaurants, cafes, hotels lobbies.

PRODUCT DESCRIPTION

Pinhole down light, can be powered with 5W, 10W, 15W MO & MX LED lamp, made of die cast aluminum with return springs for fixing,

FIXTURE CONSTRUCTION

Die Cast aluminium and powder coated paint. comes in white, silver, dark grey and mat gold.

Trim can be powered with:

MO Modular



MX5 Modular



MX10 Modular



MX15 Modular

MX Modular



MX5 Modular



MX10 Modular



MX15 Modular