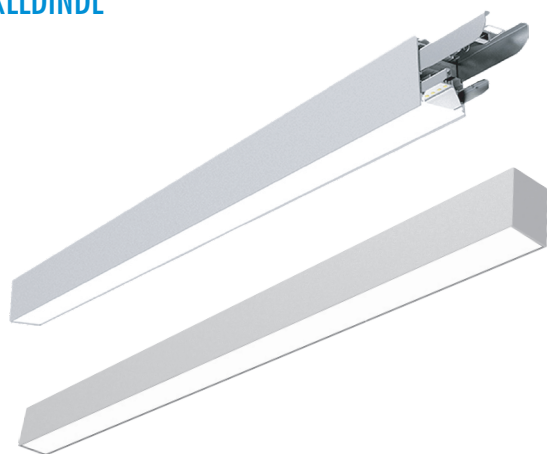


Model: XLLDINDL



Lamp Data

Model No.	XLLDINDLS Small	XLLDINDLM Medium	XLLDINDLL Large
Dimension	L1200xW60xH80mm	L1500xW60xH80mm	L3000xW60xH80mm
Input Voltage	AC200-240V, 50/60Hz		
Power	19W↓ 13W↑	24W↓ 16W↑	48W↓ 32W↑
Lumens	1900lm ↑+2900lm ↓	2400lm ↑+3600lm ↓	4800lm ↑+7200lm ↓
CCT	3000K or 4000K as standard. Different CCT upon request.		
CRI	≥90		
Beam Angle	80° ↓ 140° ↑		
UGR:	<16		
Dimming	ON-OFF		
Installaion	Suspended		
Lamp life	50000 hrs		
SDCM	<3		

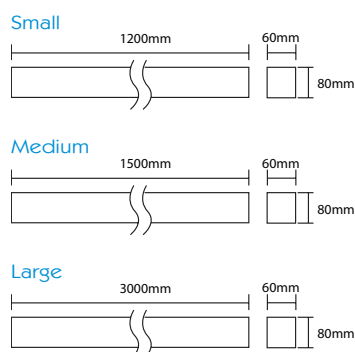
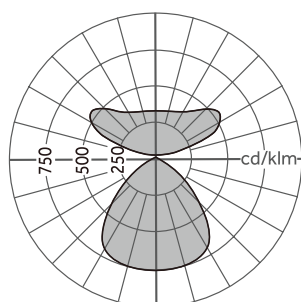
Construction Data

IP rating	IIP20 Indoor
Housing	Aluminium
Diffuser,	Opal diffuser

Construction Data

Input voltage	AC200-240V, 50/60Hz
Driver	Built in Philip ON/OFF

Photometric Data



APPLICATIONS

With direct lighting, seamless and continuous connecting, Its ideal for general lighting indoors commercial and residential applications. Such as showrooms, restaurants, dining rooms, meeting rooms, offices, passages ,corridors, cinema, super markets, shopping malls, lobbies, museum and exhibition.

PRODUCT DESCRIPTION

The UGR<16 LED linear light is made of top quality extruded aluminum. It is supplied with super bright leds, famous brand LED driver, micro-prismatic optic, direct and indirect lighting, seamless and continuous connecting, 150LM/W, CRI>90, SDCM<3, which makes it as a good choice for office/task lighting. Three standard sizes and two standard colors in available, such as 1200mm/1500mm/3000mm and white/black color

(S) Small lamp options

CONTINUOUS	CCT	SINGLE	CCT
XLLDINDLSCC3	3000 K	XLLDINDLSC3	3000 K
XLLDINDLSCC4	4000 K	XLLDINDLSC4	4000 K

(M) Medium lamp options

CONTINUOUS	CCT	SINGLE	CCT
XLLDINDLMCC3	3000 K	XLLDINDLMC3	3000 K
XLLDINDLMCC4	4000 K	XLLDINDLMC4	4000 K

(L) LLarge lamp options

CONTINUOUS	CCT	SINGLE	CCT
XLLDINDLLCC3	3000 K	XLLDINDLLC3	3000 K
XLLDINDLLCC4	4000 K	XLLDINDLLC4	4000 K

Continuous Connection,



Installaion

Accessory

