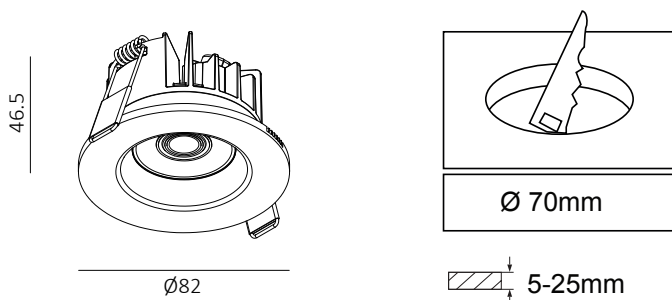


XL marlin Lighting

Shower Downlight (XLSDLR) Installation Instruction

The user: thank you for your purchase use this product, read this instruction manual before usage

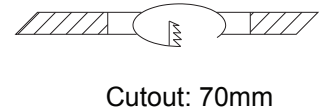
1. Model: XLSDLR
2. Rated Voltage: 220-240Vac. 50/60Hz
3. Rated Power: 6W/10W
4. IP Grade: IP65
5. Operating Temperature: C -20 To +40



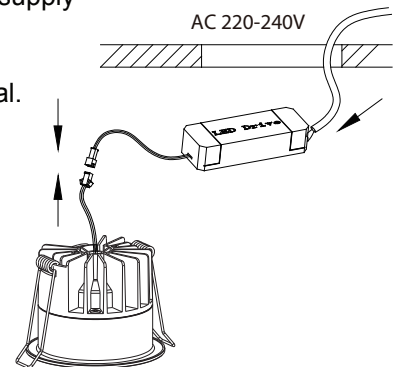
- Always disconnect the power supply before installing or performing any maintenance operations.
- Installation should be carried out by a suitably qualified person in accordance with good electrical practice and the appropriate national wiring regulations.
- These luminaires are widely used in commercial lighting, home decoration lighting, art gallery and museums.
- Only can be touched after 3 minutes later when power off, so as to avoid burns.
- Dismantling and refit are forbidden
- Installation on inflammables is forbidden.

If the external flexible cable or cord of this luminaire is damaged, it shall be exclusively replaced by the manufacturer or his service agent or a similar qualified person in order to avoid a hazard.

1. Prepare the ceiling
open a hole according to
the dimension cutout

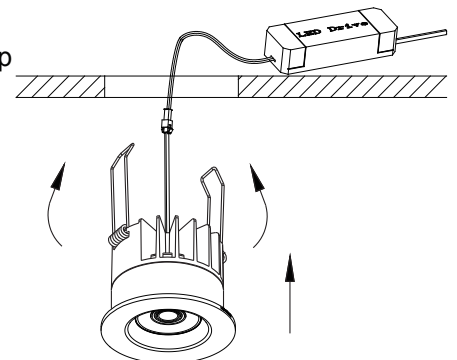


2. Connect driver to power supply
Live line for L terminal,
Null line for N terminal,
Ground line for E terminal.



3. Connect power plug of the fixture
to that of the LED driver

4. Hold back spring clip



5. Push downlight
into the opening

6. CONNECT THE POWER SUPPLY,
light up the lamp.

FOR SUITABLE TRIMS FOR THE MO/MX TYPE
MODULAR SEE :
XL MARLIN LIGHTING CATALOGUE

The light source of this luminaire is not replaceable; when the source reaches its end of life the whole luminaire shall be replaced

Welcome you again to buy our products