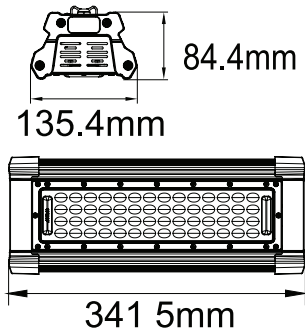


XL marlin Lighting

Hilux Linear Lighting (XLC50W) installation Instruction

The user: Thank you for your purchase of this product, read this instruction manual before usage

1. Model: XLC50W
2. Rated Voltage: AC100-277V
3. Power: 50W
4. IP Rating: IP65
5. Working Temperature: $-40^{\circ}\sim 50^{\circ}\text{C}$

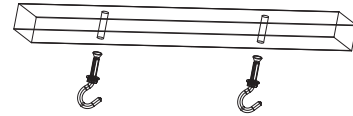


- Always disconnect the power supply before installing or performing any maintenance operations.
- Installation should be carried out by a suitably qualified person in accordance with good electrical practice and the appropriate national wiring regulations.
- These luminaires are widely used in Warehouses , workshop, highway toll station, gas station, supermarket, exhibition hall, gymnasium, and other industrial and commercial lighting purposes
- Only can be touched after 3 minutes later when power off, so as to avoid burns.
- Dismantling and refit are forbidden
- Installation on inflammables is forbidden.

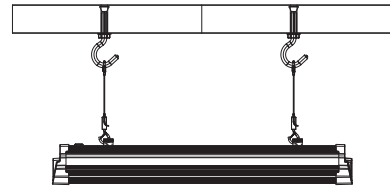
If the external flexible cable or cord of this luminaire is damaged, it shall be exclusively replaced by the manufacturer or his service agent or a similar qualified person in order to avoid a hazard.

A-PENDANT MOUNT

1. FASTEN THE BEAD RING INTO THE CEILING.



2. HANG THE LIGHT UP WITH HOOK.

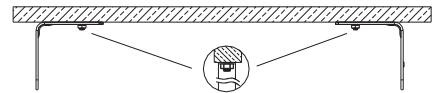


3. CONNECT THE CABLE .

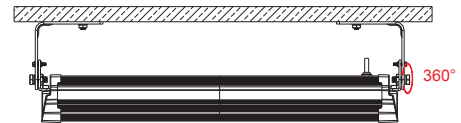
- L - Live line for L terminal,
- N - Null line for N terminal,
- Ground - Ground line for E terminal.

B-ANGLE BRACKET MOUNT

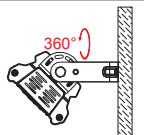
1. FASTEN THE ANGLE BRACKET INTO THE CEILING.



2. FASTEN THE LIGHT INTO THE BRACKET .



3. ADJUST THE LAMP ANGLE .



3. CONNECT THE CABLE .

- L - Live line for L terminal,
- N - Null line for N terminal,
- Ground - Ground line for E terminal.

4. CONNECT THE POWER SUPPLY, light up the lamp.

The light source of this luminaire is not replaceable; when the source reaches its end of life the whole luminaire shall be replaced

Welcome you again to buy our products