

**Model: FOL20SL3 FOL Focus**



**General Data**

Power	20 W
LED type	COB
Luminous flux	1800 lm
CCT	3000K or 4000K as standard. Different CCT upon request.
CRI	80+
Beam angle	12°/24°/36°/60°
Color	White/Grey/black
Lamp Life	50000 hrs
SDCM	≤5
Oper. Temp.	C -25° +40°
Certifications	CE, RoHS
Dimming	1-10V/DALI

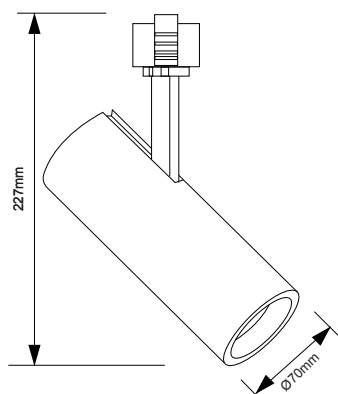
**Construction Data**

IP rating	20 Indoor
Housing	Solid aluminum housing CNC machined body
Protection finishing	passivated (anodizing) anti-corrosion finishing
Glass	Tempered glass diffuser

**Electrical Data**

Input voltage	AC 120-240 V
Cable	/

**Dimension Drawing**



**APPLICATIONS**

Ideal for application where comfort and nice atmosphere is required , like restaurants, cafes, hotels lobbies, retail lighting and high-end commercial areas

**PRODUCT DESCRIPTION**

20 W Three Circuit FOL Type. Optimal thermal dissipation. Adjustable up to 350° and up to 90° vertically. With CCT, 3000K or 4000K, different CCT upon request. Beam angles, 12°/24°/36°/60°.

**FIXTURE CONSTRUCTION**

Made of die cast aluminum body and heat sink and aluminum reflector. The adaptor locks the spotlight positively to the track, LED light source, PC gear box and electronic non dimmable driver. comes in white, black and silver

**White Lamp Options**

Part Number	CCT	Beam angle
FOL20SL3WH312	3000 K	12°
FOL20SL3WH412	4000 K	12°
FOL20SL3WH324	3000 K	24°
FOL20SL3WH424	4000 K	24°
FOL20SL3WH336	3000 K	36°
FOL20SL3WH436	4000 K	36°
FOL20SL3WH360	3000 K	60°
FOL20SL3WH460	4000 K	60°

**Black Lamp Options**

Part Number	CCT	Beam angle
FOL20SL3BL312	3000 K	12°
FOL20SL3BL412	4000 K	12°
FOL20SL3BL324	3000 K	24°
FOL20SL3BL424	4000 K	24°
FOL20SL3BL336	3000 K	36°
FOL20SL3BL436	4000 K	36°
FOL20SL3BL360	3000 K	60°
FOL20SL3BL460	4000 K	60°

**Grey Lamp Options**

Part Number	CCT	Beam angle
FOL20SL3GR312	3000 K	12°
FOL20SL3GR412	4000 K	12°
FOL20SL3GR324	3000 K	24°
FOL20SL3GR424	4000 K	24°
FOL20SL3GR336	3000 K	36°
FOL20SL3GR436	4000 K	36°
FOL20SL3GR360	3000 K	60°
FOL20SL3GR460	4000 K	60°

**Photometric Data**

Light Distribution Curve [Unit: cd]

