

## Model: OLR7WCOB



### General Data

|                |   |
|----------------|---|
| Power          | 7 Watts   |
| LED type       | 1x7W COB  |
| Luminous flux  | 744-921 lm  |
| CCT            | 3000K or 4000K as standard. Different CCT upon request. |
| CRI            | 80+   |
| Beam angle     | Multi beam angle including 15° 24° 38° 60°              |
| Dimension      | Ø116 x 98 mm  |
| Lamp Life      | 50000 hrs   |
| Oper. Temp.    | -20°C~40°C  |
| Certifications | CE, RoHS  |

### Construction Data

|                         |  |
|-------------------------|--|
| IP rating               | IP67 Waterproof  |
| IK rating               | IK09   |
| Housing                 | Die-casting dark grey powder coated aluminum<br>T=60-80µm Adhesion of ISO class 1/ATM class 4B |
| Glass pressure capacity | Full Area=2526kgs  |
| Trim                    | Hard chrome-plated stainless steel SUS 316L  |
| Glass                   | Tempered frosted step glass.T=8mm  |
| Reflector               | Optical Reflector efficiency≥90%   |
| Cable Gland             | IP68 PG-9 PA66   |
| Gasket                  | Molding shaped seal  |

### Electrical Data

|               |                                     |
|---------------|-------------------------------------|
| Input voltage | DC24V                               |
| Cable         | H07RN-F 2X1.0mm <sup>2</sup> L=0.5m |

### Accessories

|                 |               |
|-----------------|---------------|
| Mounting Sleeve | PC/ABS ALLOYS |
|-----------------|---------------|

### Driver: Constant Voltage Output

| Driver Code   | Watt | IP rate | Fixtures Qty  | Warranty |
|---------------|------|---------|---------------|----------|
| MW- LPV-20-24 | 20 W | IP 67   | min 1 - max 2 | 2 years  |
| MW- NPF-40-24 | 40 W | IP 67   | min 1 - max 4 | 5 years  |
| MW- XLG-75-24 | 75 W | IP 67   | min 1 - max 9 | 5 years  |
| MW- ELG-75-24 | 75 W | IP 67   | min 1 - max 9 | 5 years  |

- Driver to be order separately

- Cable distance should be taken into consideration -

### APPLICATIONS

Inground recessed luminaire designed for easy installation, effective illumination, ideally for illuminating columns, walls, architectural features, as well as landscape features.

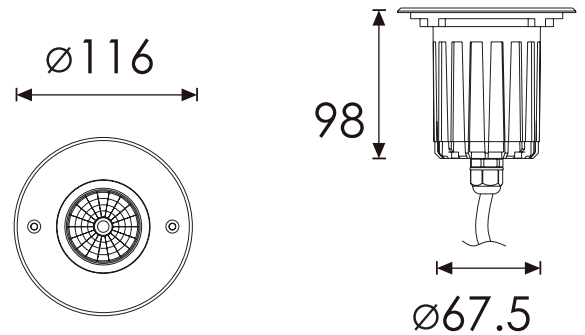
### PRODUCT DESCRIPTION

Inground round recessed luminaire for outdoor installation, anodized extruded aluminium body, Tempered step glass, Hard chrome-plated stainless steel trim. Low power COB LED, IP67

### FIXTURE CONSTRUCTION

Die-casting dark grey powder coated aluminum T=60-80µm Adhesion of ISO class 1/ATM class 4B, Hard chrome-plated stainless steel SUS 316L with Tempered frosted step glass.T=6mm Optical Reflector efficiency≥90% and IO67

### Dimension Drawing



### Lamp Options

| Part Number   | CCT    | Beam angle |
|---------------|--------|------------|
| OLR7WCOBC3B15 | 3000 K | 15°        |
| OLR7WCOBC4B15 | 4000 K | 15°        |
| OLR7WCOBC3B24 | 3000 K | 24°        |
| OLR7WCOBC4B24 | 4000 K | 24°        |
| OLR7WCOBC3B38 | 3000 K | 38°        |
| OLR7WCOBC4B38 | 4000 K | 38°        |
| OLR7WCOBC3B60 | 3000 K | 60°        |
| OLR7WCOBC4B60 | 4000 K | 60°        |

### Photometric Data

Light Distribution Curve [Unit: cd]

Lux distance cure

|     | Illuminance at a distance |      | Beam width |   |
|-----|---------------------------|------|------------|---|
|     | Center beam LUX           | V    | H          | H |
| 2m  | 599.31 LUX                | 0.8m | 0.8m       |   |
| 4m  | 149.83 LUX                | 1.6m | 1.6m       |   |
| 6m  | 66.59 LUX                 | 2.5m | 2.4m       |   |
| 8m  | 37.46 LUX                 | 3.3m | 3.2m       |   |
| 10m | 23.97 LUX                 | 4.1m | 4.1m       |   |
| 12m | 16.65 LUX                 | 4.9m | 4.9m       |   |

Ver.Spread:23.1 Horiz.Spread:23.0