

Model: SPJL1000W



General Data

Model Number	SPJL1000W
Power	1000W
LED type	PHILIPS 3030 SMD
Luminous	160 Lm/W
CCT	3000K, 4000K, 6500K as standard. Different CCT upon request.
CRI	>80
Beam angle	30°/ 60°/ 90° / P60°
Dimension	877*650.3*371.4mm
Lamp Life	70000 hrs
SDCM	≤5
Oper. Temp.	-40°C~+70°C
Certifications	CE, RoHS

Construction Data

IP rating	IP67 Waterproof
IK rating	IK08
Housing	Die-Casting Aluminium
Finishing	Powder coated painting
Lens	Anti-UV Optical Lens
Bracket	Adjustable Aluminium Bracket
Cable Length	300mm

Electrical Data

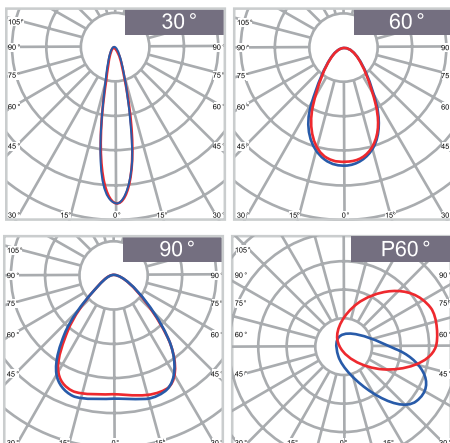
Input voltage AC100-277V 50-60Hz

Accessories

Visor

Magnetic Infrared Laser Sight aiming device

Photometric Data



APPLICATIONS

Sport lights provide an opportunity for players and spectators to enjoy the sport at night. They are utilized in various applications, including stadiums, sport fields, arenas, pitches, etc.

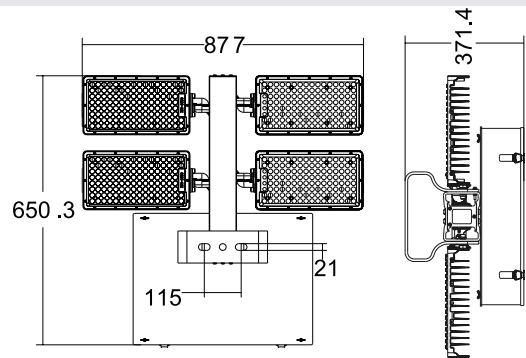
PRODUCT DESCRIPTION

Each modular is rotatable in four dimensions as upwards, downwards, forwards and backwards with Detachable Tool Free Cabinet Easy connection of intelligent driver system and effectively convenient maintenance

FIXTURE CONSTRUCTION

Die-Casting Housing ODM Heat Radiating Fins , Anti-UV Optical Lens, Detachable Tool Free Cabinet IP67

Dimension Drawing



SPJL1000W 1000w options

Part Number	CCT	Beam angle
SPJL1000WC3B30	3000 K	30°
SPJL1000WC4B30	4000 K	30°
SPJL1000WC65B30	6500 K	30°
SPJL1000WC3B60	3000 K	60°
SPJL1000WC4B60	4000 K	60°
SPJL1000WC65B60	6500 K	60°
SPJL1000WC3B90	3000 K	90°
SPJL1000WC4B90	4000 K	90°
SPJL1000WC65B90	6500 K	90°
SPJL1000WC3BP60	3000 K	P60°
SPJL1000WC4BP60	4000 K	P60°
SPJL1000WC65BP60	6500 K	P60°

