

**Model: MX10 Modular**



**General Data**

Power	10 W
LED type	Cree LED
Luminous flux	750 lm
CCT	3000K or 4000K as standard. Different CCT upon request.
CRI	82+
Beam angle	20°, 40°, 60°
Dimension	Ø100x45 mm
Cut out dia.	Ø50 mm
Weight (kgs)	0.20 Kgs
Lamp Life	50000 hrs
SDCM	≤5
Oper. Temp.	C -10° +45°
Certifications	CE, RoHS
Trim Color	White
Dimming	1-10V/DALI

**Construction Data**

IP rating	IP44
Housing	Solid aluminum housing CNC machined body
Protection finishing	passivated (anodizing) anti-corrosion finishing
Glass	Tempered glass diffuser
Loading capacity	/
Cable Gland	IP44
Gasket	Silicone rubber gasket

**Electrical Data**

Input voltage	AC 100~240V
Cable	Cable gland

**Accessories**

Mounted Accessory	/
Clip	/

**APPLICATIONS**

High output LED 5 W LEDlamp with driver, can be used with wide range of trims to suite different applications and lighting solutions.

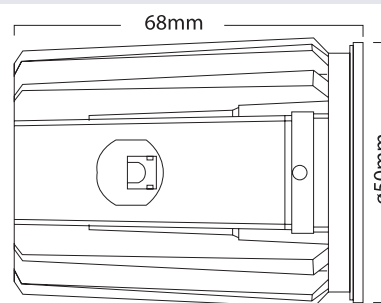
**PRODUCT DESCRIPTION**

Modular high out put 10 W LED lamp attached to aluminum heat sink and remote driver, suitable to use with our Modular down light range, comes with 3000 K, 4000 K , and 5000 K color temperatures, and 20°. 40°, 60° beam angles with excellent color rendering 82 Ra. optional dimming 1-10 V or Dali on

**FIXTURE CONSTRUCTION**

Aluminum reflector, and die cast aluminum heat sink and electronic driver.

**Dimension Drawing**

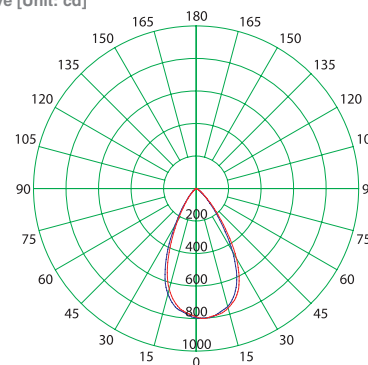


**Lamp Options**

Part Number	CCT	Beam angle
MX10320	3000 K	20°
MX10420	4000 K	20°
MX10340	3000 K	40°
MX10440	4000 K	40°
MX10360	3000 K	60°
MX10460	4000 K	60°

**Photometric Data**

Light Distribution Curve [Unit: cd]



Lux distance Curve

