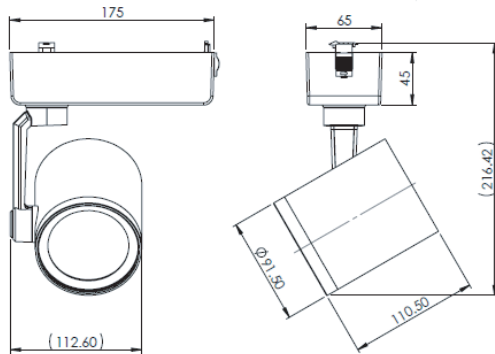


# XL marlin Lighting

## Focus Single Circuit FO Type Spot Light ( FO30SL1XZY ) Installation Instruction

The user: thank you for your purchase use this product, read this instruction manual before usage

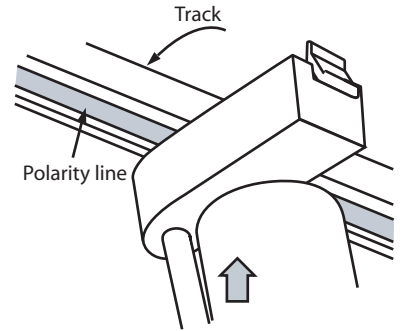
1. Model: FO30SL1XZY
2. Rated Voltage: 120-240 V 50/60 Hz
3. Rated Power: 30W
4. IP Grade: IP20
5. Operating Temperature: C-10 To +45



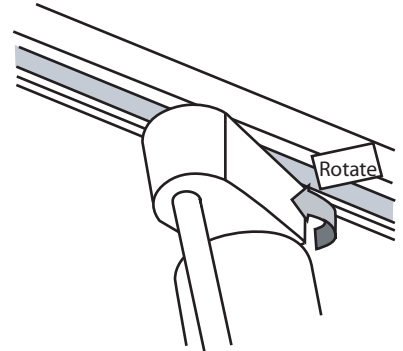
- Always disconnect the power supply before installing or performing any maintenance operations.
- Installation should be carried out by a suitably qualified person in accordance with good electrical practice and the appropriate national wiring regulations.
- These luminaires are widely used in commercial lighting, home decoration lighting, art gallery and museums.
- Only can be touched after 3 minutes later when power off, so as to avoid burns.
- Dismantling and refit are forbidden
- Installation on inflammables is forbidden.

If the external flexible cable or cord of this luminaire is damaged, it shall be exclusively replaced by the manufacturer or his service agent or a similar qualified person in order to avoid a hazard.

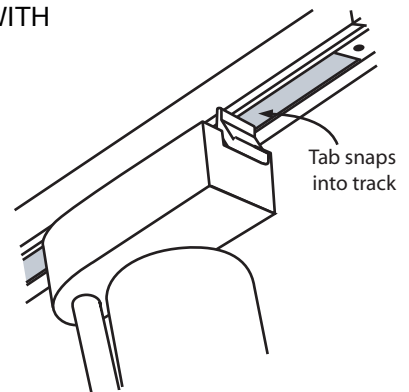
1. INSERT "ADAPTOR CONTACT" INTO THE SLOT IN THE TRACK.



2. ROTATE ADAPTOR 1/4 TURN 90 DEGREES TO LOCKED POSITION.



3. ALIGN THE ADAPTOR WITH POLARITY LINE



4. TO REMOVE, DEPRESS THE LOCKING LEVER AND TURN 90 DEGREES.