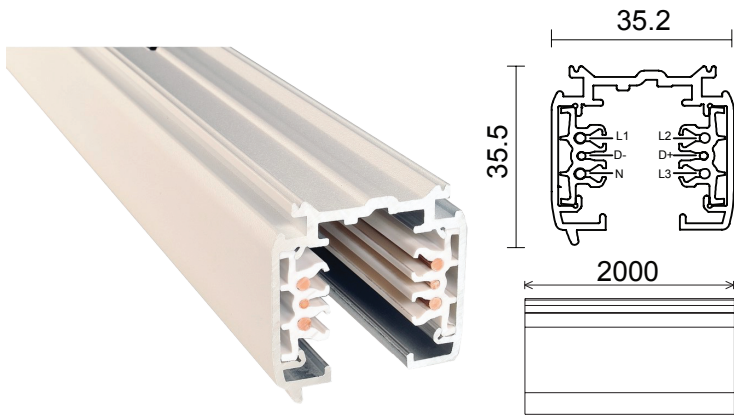


TD2 Type - Three Circuit DALI Tracks



General Data

Lamp Power	16 A
Length	2000mm
Track Color	White ,Silver, Black
IP Rating	IP20
Input voltage	AC 230/240V

APPLICATIONS

Used with spot lights for highlighting or general lighting in retail, commercial and Residential..

PRODUCT DESCRIPTION

2000mm length Three circuit DALI track; surface mounting version comes in, White, black and silver colors, by using suspension wires you can make the whole system pendent, made of die cast aluminium. Easy installation, moving or removal

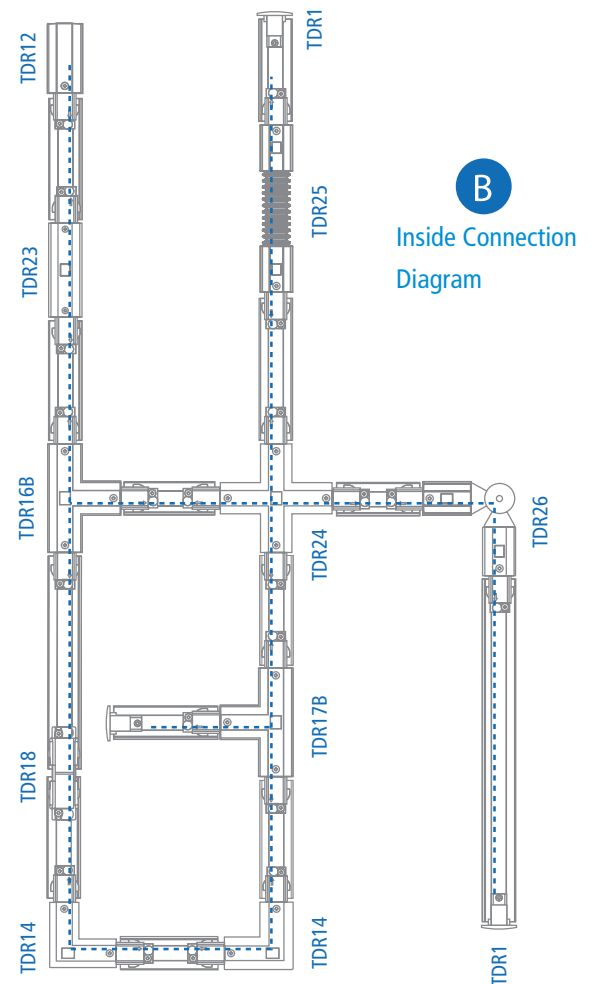
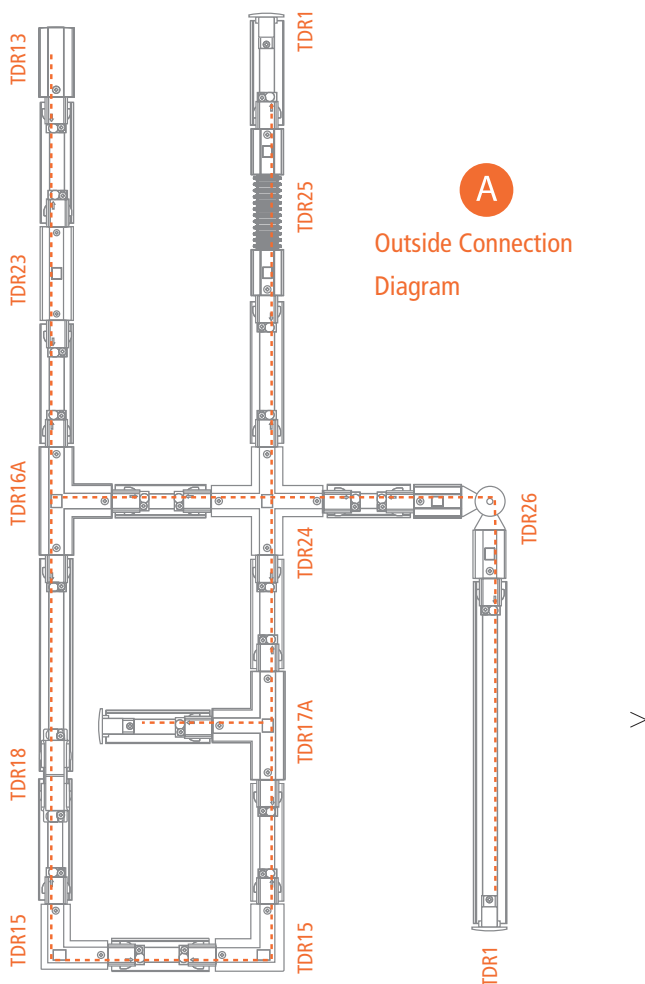
FIXTURE CONSTRUCTION

Extruded low profile rigid aluminum, CPVC insulation, with two copper 3mm conductors, and powder coated in white or black or silver.

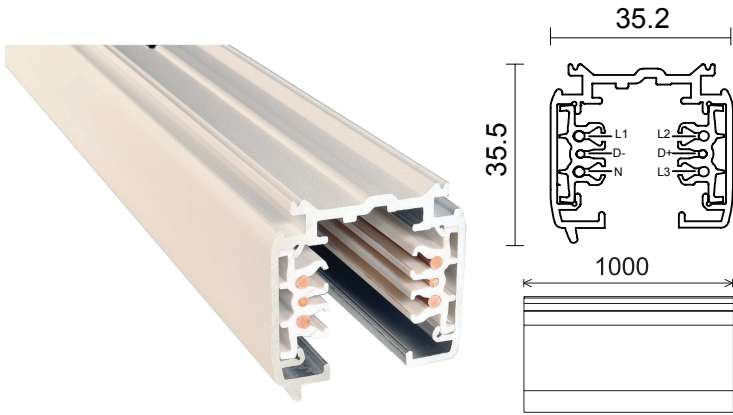
Lamp Options

Part Number	Length	color
TD2WH	1000	White
TD2SL	1000	Silver
TD2BL	1000	Black

TD/TDR Accessory



TD1 Type - Three Circuit DALI Tracks



General Data

Lamp Power	16 A
Length	1000mm
Track Color	White ,Silver, Black
IP Rating	IP20
Input voltage	AC 230/240V

APPLICATIONS

Used with spot lights for highlighting or general lighting in retail, commercial and Residential..

PRODUCT DESCRIPTION

1000mm length Three circuit DALI track; surface mounting version comes in, White, black and silver colors, by using suspension wires you can make the whole system pendent, made of die cast aluminium. Easy installation, moving or removal

FIXTURE CONSTRUCTION

Extruded low profile rigid aluminum, CPVC insulation, with two copper 3mm conductors, and powder coated in white or black or silver.

Lamp Options

Part Number	Length	color
TD1WH	1000	White
TD1SL	1000	Silver
TD1BL	1000	Black

TD/TDR Accessory

