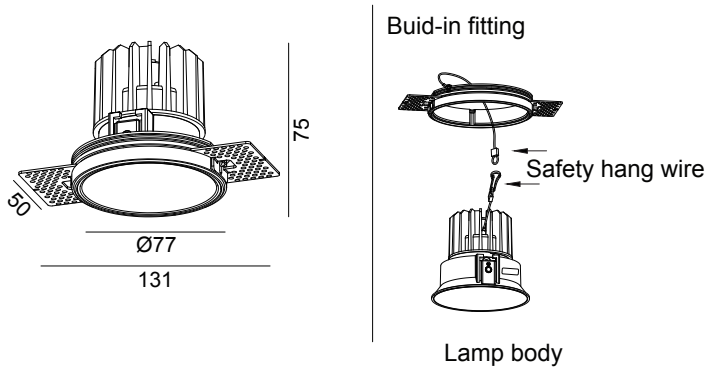


XL marlin Lighting

Trimless Downlight (XLDL3719) Installation Instruction

The user: thank you for your purchase use this product, read this instruction manual before usage

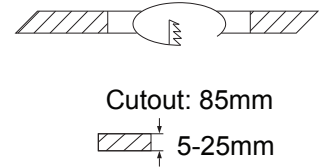
1. Model: XLDL3719
2. Rated Voltage: 220-240Vac. 50/60Hz
3. Rated Power: 6W/10W/15W
4. IP Grade: IP54
5. Operating Temperature: C -20 To +40



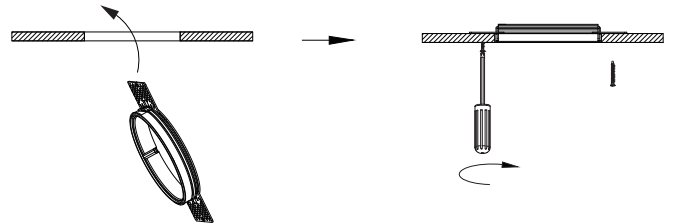
- Always disconnect the power supply before installing or performing any maintenance operations.
- Installation should be carried out by a suitably qualified person in accordance with good electrical practice and the appropriate national wiring regulations.
- These luminaires are widely used in commercial lighting, home decoration lighting, art gallery and museums.
- Only can be touched after 3 minutes later when power off, so as to avoid burns.
- Dismantling and refit are forbidden
- Installation on inflammables is forbidden.

If the external flexible cable or cord of this luminaire is damaged, it shall be exclusively replaced by the manufacturer or his service agent or a similar qualified person in order to avoid a hazard.

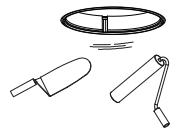
1. Prepare the ceiling
open a hole according to the dimension cutout



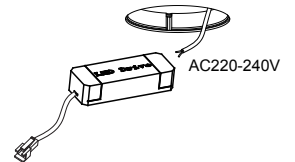
2. Insert built-in fitting into the ceiling and fix it with screws



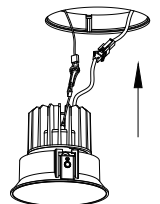
3. Plaster ceiling surround downlight
Buid-in fitting before mounting
downlight into housing



4. Connect driver to power supply
Live line for L terminal,
Null line for N terminal,
Ground line for E terminal.



5. Connect power plug of the fixture
to that of the LED driver



6. Connect safety hang wire between
the lamp body and the Buid-in fitting

7. Push the lamp body into built-in fitting.
and Press lock

8. CONNECT THE POWER SUPPLY,
light up the lamp.

FOR SUITABLE TRIMS FOR THE MO/MX TYPE
MODULAR SEE :
XL MARLIN LIGHTING CATALOGUE