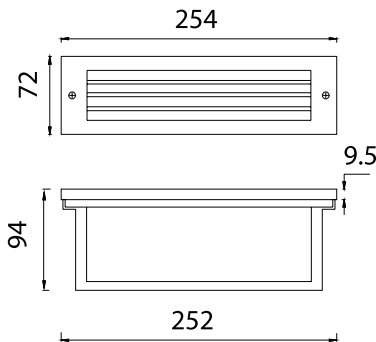


XL marlin Lighting

Exterior Wall Recessed Lighting (XLST3653A) Installation Instruction

The user: thank you for your purchase use this product, read this instruction manual before usage

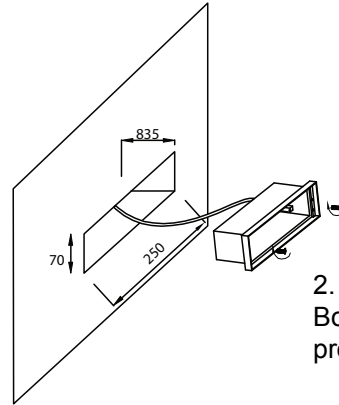
1. Model: XLST3653A
2. Rated Voltage: 110-240V/50-60Hz
3. Rated Power: 10W/15W/20W
4. IP Grade: IP65
5. Insulation protection level: Class I
6. Operating Temperature: -20°-40°



- Always disconnect the power supply before installing or performing any maintenance operations.
- Installation should be carried out by a suitably qualified person in accordance with good electrical practice and the appropriate national wiring regulations.
- These luminaires are widely used in commercial lighting, home decoration lighting, art gallery and museums.
- Only can be touched after 3 minutes later when power off, so as to avoid burns.
- Dismantling and refit are forbidden
- Installation on inflammables is forbidden.

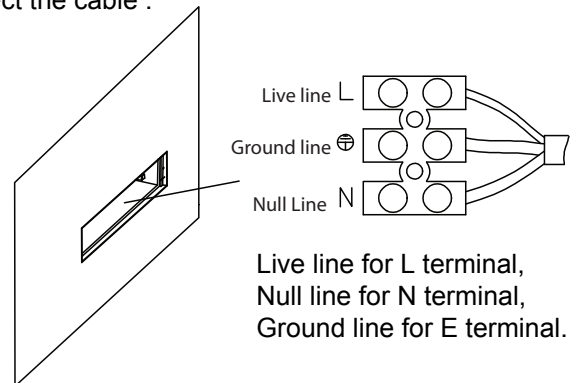
If the external flexible cable or cord of this luminaire is damaged, it shall be exclusively replaced by the manufacturer or his service agent or a similar qualified person in order to avoid a hazard.

1. Prepare the wall Dug a hole according to the dimension of the mounting sleeve.



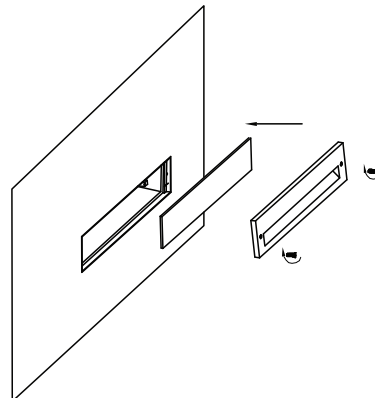
2. Place the Recessed Box and fix it with provided screws

2. Connect the cable .



Live line for L terminal,
Null line for N terminal,
Ground line for E terminal.

3. Push the Glass then the cover into the Recessed Box, and fix it with provided screws



4. Connect the power supply, light up the lamp.