

Model: OL500L2330



General Data

| | |
|----------------|--|
| Power | 6W |
| LED type | 2835 SMD |
| Luminous flux | 120 lm |
| CCT | 3000K,4000K and RGB as standard. Different CCT upon request. |
| CRI | 80+ |
| Beam angle | 120° |
| Dimension | 500x35x62mm |
| Cut out dia. | / |
| Weight (kgs) | 0.8 kgs |
| Lamp Life | 50000 hrs |
| SDCM | ≤5 |
| Ambient Temp. | / |
| RAL Color | 80+ |
| Oper. Temp. | / |
| Certifications | CE, RoHS |

Construction Data

| | |
|----------------------|--|
| IP rating | 65 waterproof |
| Housing | Cast aluminum body |
| Protection finishing | passivated (anodizing) anticorrosion finishing |
| Glass | Tempered glass |
| Loading capacity | / |
| Cable Gland | IP65 |
| Gasket | Silicone rubber gasket |
| connector | waterproof connector male+female. |

Electrical Data

| | |
|---------------|---------------------------------|
| Input voltage | AC110~240V |
| Cable | Cable gland for waterproof IP65 |

APPLICATIONS

These lights are used in exterior applications, such as Facade lighting, columns, walls, architectural features, landscape features for hotels, as well as residential applications, etc.

PRODUCT DESCRIPTION

Wall Surface-mounted slim Linear luminaire for outdoor installation, length 300mm, anodized extruded aluminum body, PMMA diffuser, stainless steel screws, Remote driver needed, Low power 2835 SMD LED, IP65 rated

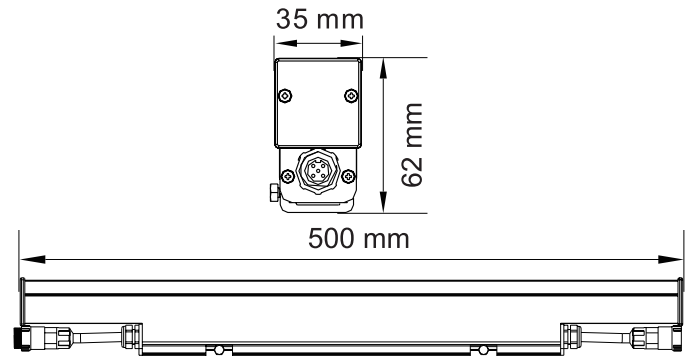
FIXTURE CONSTRUCTION

Cast aluminum body, with passivated (anodizing) anticorrosion finishing, Stainless steel screws, Silicon seal gaskets and cable gland for waterproof IP65 with waterproof connector male+female.

Accessories

- Mounting Sleeve /
- Clip /

Dimension Drawing

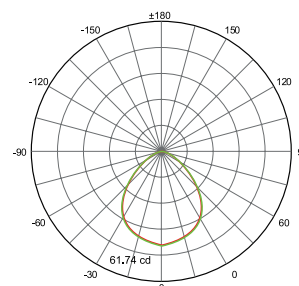


Lamp Options

| Part Number | CCT | Beam angle |
|--------------------|--------|------------|
| OL500L2330C3B120 | 3000 K | 120° |
| OL500L2330C4B120 | 4000 K | 120° |
| OL500L2330CRGBB120 | RGB | 120° |

Photometric Data

Light Distribution Curve



Illumination Drawing

