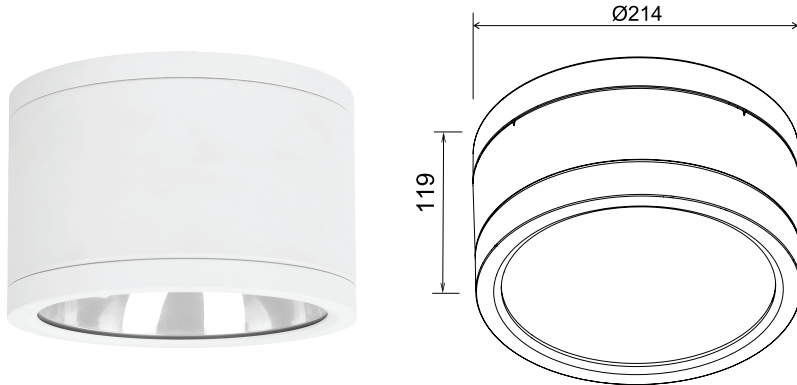


## Model: XL2698



**APPLICATIONS** It is designed for general lighting applications in Retail, conference rooms, hotels, restaurants, Foyers, corridors, and living spaces, etc...

**PRODUCT DESCRIPTION** This new surface mounted downlight has a complete size options, it has faceted and specular reflector design for different optic reflection. Screwless on surface and tempered glass in front part, which offer a better appearance, high protection level and convenient installation. Two options for optic combination: Type A coB LED chip+lens+reflector, Type B SMD LED chip+diffuser+reflector.

**FIXTURE Features** Faceted and Specular reflector options. WITH IP P65 waterproof, IK06 protection level, Interchangeable CCT(3000K+4000K+5700K)with slide switch. And Internal flicker free driver, and Triac dimming/ DALI dimming available as an option.

### Reflector



Lens + Specular Reflector

Lens + Faceted Reflector

PC Cover + Specular Reflector

PC Cover + Faceted Reflector

### General Data

Model Number	XL269825W	XL269835W
Power	25W	35W
Optics Material	LENS	PC cover
LED type	COB LED	SMD LED
Luminous	2300-2500lm	2100-2400lm
CCT	3-CCT: 3000K + 4000K + 5000K Dip switch	
CRI	90+	80+
Beam angle	24°/36°/60°	70°
Dimension	Ø214x119	
Lamp Life	50000 hrs	
SDCM	≤5	
Product Finishing	White / Black	
Oper. Temp.	-20°C~65°C	
IP Rating	IP65	
Input voltage (V)	AC220-240V 50-60Hz	
Dimming Opt.	DALI / 1-10V	
Housing Material	Aluminum Die-Casting	
Certifications	CE, RoHS	

### XL269825WA 25W Lens + Specular Reflector

Part Number	CCT	Beam angle
XL269825WA24S	3-CCT Dip Switch	24°
XL269825WA36S	3-CCT Dip Switch	36°
XL269825WA60S	3-CCT Dip Switch	60°

### XL269825WA 25W Lens + Faceted Reflector

Part Number	CCT	Beam angle
XL269825WA24F	3-CCT Dip Switch	24°
XL269825WA36F	3-CCT Dip Switch	36°
XL269825WA60F	3-CCT Dip Switch	60°

### XL269835WA 35W Lens + Specular Reflector

Part Number	CCT	Beam angle
XL269835WA24S	3-CCT Dip Switch	24°
XL269835WA36S	3-CCT Dip Switch	36°
XL269835WA60S	3-CCT Dip Switch	60°

### XL269835WA 35W Lens + Faceted Reflector

Part Number	CCT	Beam angle
XL269835WA24F	3-CCT Dip Switch	24°
XL269835WA36F	3-CCT Dip Switch	36°
XL269835WA60F	3-CCT Dip Switch	60°

### XL269825WB 25W PC Cover

Part Number	CCT	Reflector	Beam angle
XL269825WB S	3-CCT Dip Switch	Specular	75°
XL269825WB F	3-CCT Dip Switch	Faceted	75°

### XL269835WB 35W PC Cove

Part Number	CCT	Reflector	Beam angle
XL269835WB S	3-CCT Dip Switch	Specular	75°
XL269835WB F	3-CCT Dip Switch	Faceted	75°

### Photometric Data

