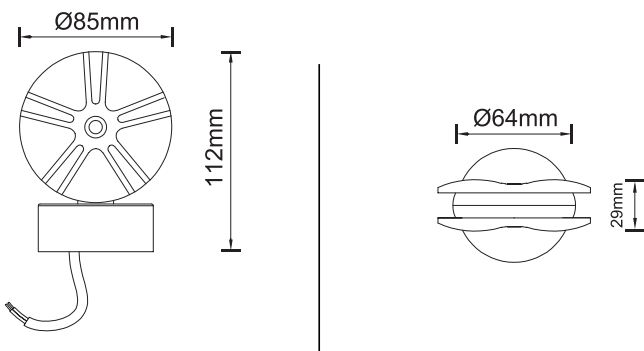


# XL marlin Lighting

Decorative Window lights ( OLWIN3001 ) Installation Instruction

The user: thank you for your purchase use this product, read this instruction manual before usage

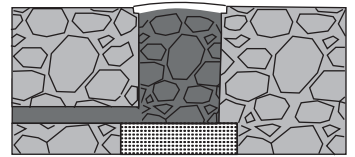
1. Model: OLWIN3001
2. Rated Voltage: DC24V
3. Rated Power: 5W
4. IP Grade: IP66
5. Insulation protection level: Class III
6. Operating Temperature: 15~50°C



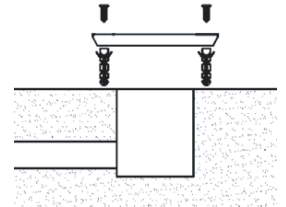
- Always disconnect the power supply before installing or performing any maintenance operations.
- Installation should be carried out by a suitably qualified person in accordance with good electrical practice and the appropriate national wiring regulations.
- These luminaires are widely used in commercial lighting, home decoration lighting, art gallery and museums.
- Only can be touched after 3 minutes later when power off, so as to avoid burns.
- Dismantling and refit are forbidden
- Installation on inflammables is forbidden.

If the external flexible cable or cord of this luminaire is damaged, it shall be exclusively replaced by the manufacturer or his service agent or a similar qualified person in order to avoid a hazard.

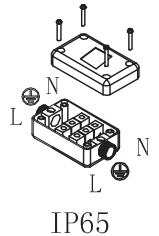
1. Select a suitable location for your window light. This window light can be installed on the base of the windowsill, surface mounted on the wall side of the windowsill, or fixed on the ceiling of the windowsill. It can also be used as gallery light which can be installed on the wall, ground or ceiling when it's indoor, and it can be installed on the wall and ceiling when it's outdoor, but it can not be installed on the ground when it's outdoor due to it's only IP66.



2. Drill two screw holes as the drawing with cut out 6mm, and fixed the base plate part on the wall with two pcs screws.

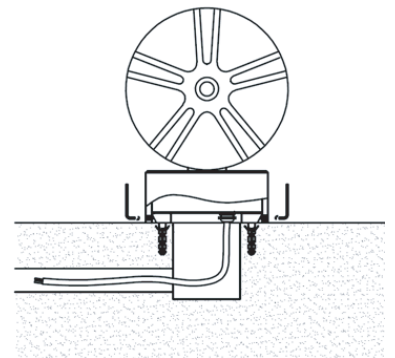


3. Connect the electric supply wires of "L", "N", "Ground" to the corresponding "L", "N", "Ground" of the fixture's wires with the waterproof connector IP65 at least in parallel circuit if it's outdoor application.



- (A) indicate same protection class IP 65 junction box .

4. Fix the lamp base to the plate with two screws.



5. Connect the power supply, light up the lamp.

The light source of this luminaire is not replaceable; when the source reaches its end of life the whole luminaire shall be replaced

Welcome you again to buy our products