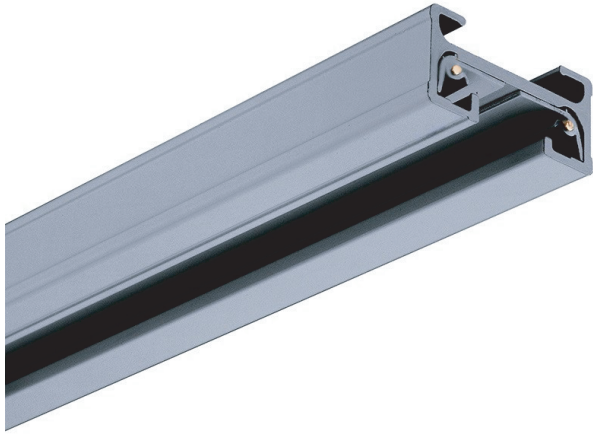


## M1 - Single Circuit Tracks



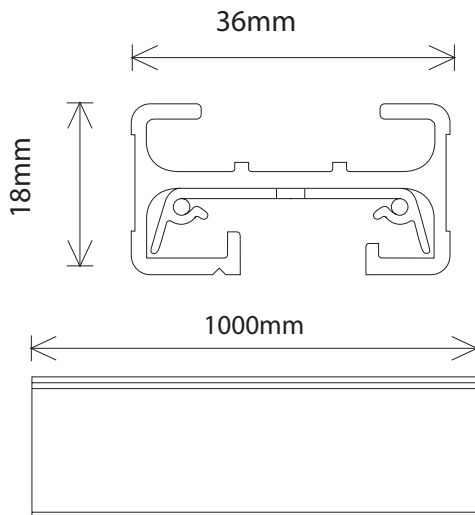
### General Data

Lamp Power	16 A
Length	1000mm
Track Color	White ,Silver, Black
IP Rating	IP20
Input voltage	AC 230/240V

### Ordering Options

Part Number	Length	Trim color
M1WH	1000 mm	White
M1SL	1000 mm	Silver
M1BL	1000 mm	Black

### Dimension Drawing



### APPLICATIONS

Used with spot lights for highlighting or general lighting in retail, commercial and Residential.

### PRODUCT DESCRIPTION

Standard 16 A 1000 mm length single circuit track; surface mounting version comes in, White, black and silver colors, by using suspension wires you can make the whole system pendent, made of die cast aluminium. Easy installation, moving or removal

### FIXTURE CONSTRUCTION

Extruded low profile rigid aluminum, CPVC insulation, with two copper 3mm<sup>2</sup> conductors, and powder coated in white or black or silver.

### Single Circuit Tracks Accessory



End Cap M10



Live End M11



Straight Connector M12



L Connector M13

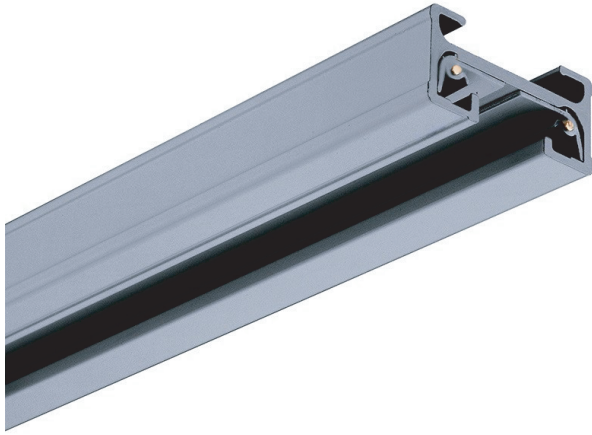


T Connector M14



X Connector M15

## M2 - Single Circuit Tracks



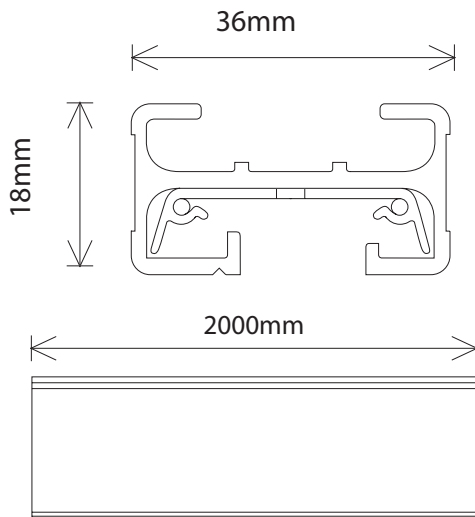
### General Data

Lamp Power	16 A
Length	2000mm
Track Color	White ,Silver, Black
IP Rating	IP20
Input voltage	AC 230/240V

### Ordering Options

Part Number	Length	Trim color
M2WH	2000 mm	White
M2SL	2000 mm	Silver
M2BL	2000 mm	Black

### Dimension Drawing



### APPLICATIONS

Used with spot lights for highlighting or general lighting in retail, commercial and Residential.

### PRODUCT DESCRIPTION

Standard 16A 2000 mm length single circuit track; surface mounting version comes in, White, black and silver colors, by using suspension wires you can make the whole system pendent, made of die cast aluminium. Easy installation, moving or removal

### FIXTURE CONSTRUCTION

Extruded low profile rigid aluminum, CPVC insulation, with two copper 3mm<sup>2</sup> conductors, and powder coated in white or black or silver.

### Single Circuit Tracks Accessory



End Cap M10



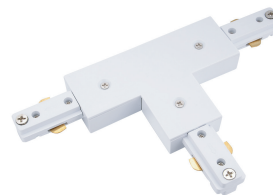
Live End M11



Straight Connector M12



L Connector M13



T Connector M14



X Connector M15