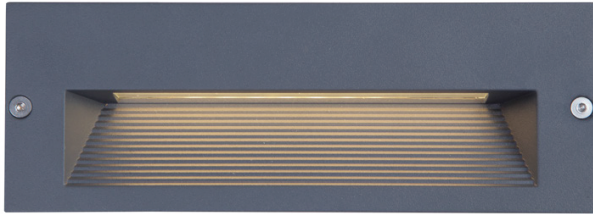


Model: XLST3650F10W



General Data

Power	10 Watts
LED type	24 PCS 2835 SMD LED
Luminous flux	311lm
CCT	3000K or 4000K as standard. Different CCT upon request.
CRI	80+
Beam angle	169x32°
Dimension	210 x 75x 83 mm
Cut out dia.	190 x 70 x 90 mm
Lamp Life	50000 hrs
SDCM	≤5
Oper. Temp.	-20~40°C
Certifications	CE, RoHS

Construction Data

IP rating	IP65 Waterproof
IK rating	IK04
Housing	Die-casting Aluminum
Trim	Die-casting Aluminum
Glass	Clear glass
Cable Gland	IP67
Gasket	silicone gasket

Electrical Data

Input voltage	110-240V/50Hz 60Hz
Insulation class	Class I
Cable	3*1mm2 wire

Accessories

Mounting sleeve Hex wrench Iron

APPLICATIONS

Sharp and minimal design combined with a perfect light beam. This luminaire equipped with LED source, creates a marked blade of light on the wall.

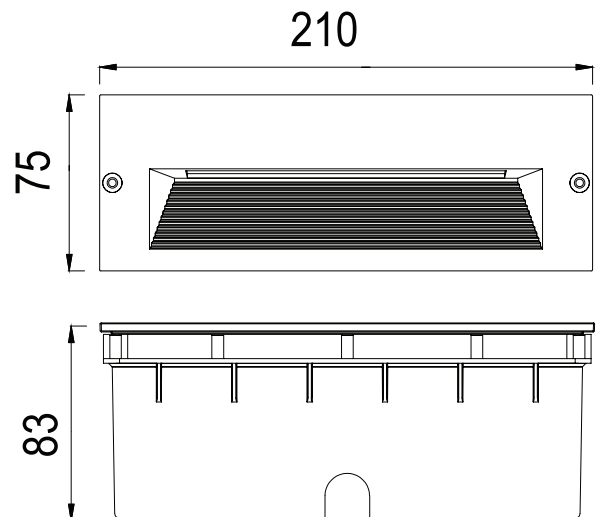
PRODUCT DESCRIPTION

Recessed wall luminaire for outdoor installation, aluminium body, Tempered glass, Low power CREE XPE LED, IP65 rating

FIXTURE CONSTRUCTION

Powder coated painting Aluminium for housing with Powder coated Aluminium trim, with Frost Glass, build-in driver 110-240V/50-60Hz. IP65

Dimension Drawing



Lamp Options

Part Number	CCT	Beam angle
XLST3650F10WC3	3000 K	169x32°
XLST3650F10WC4	4000 K	169x32°

Photometric Data

