

Model: OL10W218OVA



General Data

Power	10W
LED type	Orsam SMD2835
Luminous flux	70lm/w
CCT	3000K or 4000K as standard. Different CCT upon request.
CRI	>80
Beam angle	/
Dimension	218x133x62mm
Cut out dia.	/
Lamp Life	50000 hrs
SDCM	≤5
Body Color	Light Grey/ Black / White
RAL Color	80+
Oper. Temp.	- 20+40°
Certifications	CE, RoHS

Construction Data

IP rating	IP65
Housing	Cast aluminum body
Protection finishing	Graphene powder coating finish
Glass	Opal white PC diffuser
Loading capacity	/
Cable Gland	IP65
Gasket	Silicone rubber gasket

Electrical Data

Input voltage	AC100-240V 50/60hz
Cable	Cable gland for waterproof IP54
Driver	Orsam

APPLICATIONS

Elegant and minimal, with clean design and perfect size, it has a technological core with LED sources perfectly distributed. The IP65 protection and the possibility to integrate protecting grids, let it become part of any architectural scheme both external and internal.

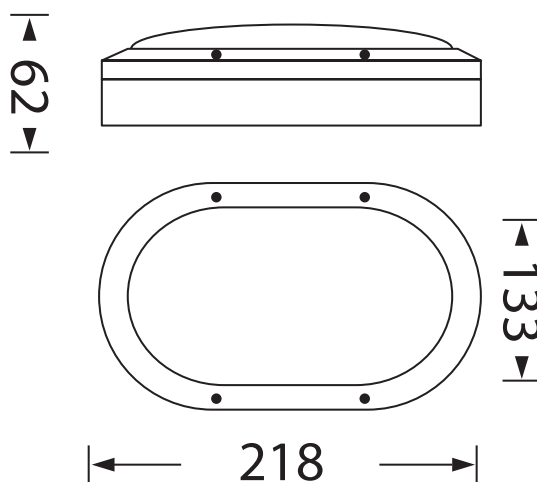
PRODUCT DESCRIPTION

Surface-mounted wall luminaire for outdoor installation, aluminum body, Glass diffuser, stainless steel screws, Low power Orsam SMD2835 , IP65 rating.

FIXTURE CONSTRUCTION

Cast aluminum body, with passivated (anodizing) anticorrosion finishing, stainless steel screws, silicon seal gaskets and cable gland for waterproof IP65

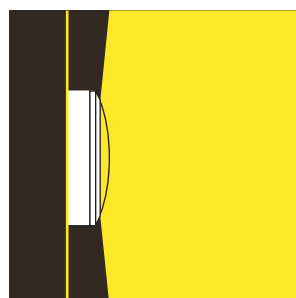
Dimension Drawing



Lamp Options

Part Number	CCT	Beam angle
OL10W2180VAWHC3	3000 K	White
OL10W2180VAWHC4	4000 K	White
OL10W2180VABLC3	3000 K	Black
OL10W2180VABLC4	4000 K	Black
OL10W2180VALGC3	3000 K	Light Grey
OL10W2180VALGC4	4000 K	Light Grey

Photometric Data



Model: OL10W218OVB



General Data

Power	10W
LED type	Orsam SMD2835
Luminous flux	70lm/w
CCT	3000K or 4000K as standard. Different CCT upon request.
CRI	>80
Beam angle	/
Dimension	218x133x62mm
Cut out dia.	/
Lamp Life	50000 hrs
SDCM	≤5
Body Color	Light Grey/ Black / White
RAL Color	80+
Oper. Temp.	- 20+40°
Certifications	CE, RoHS

Construction Data

IP rating	IP65
Housing	Cast aluminum body
Protection finishing	Graphene powder coating finish
Glass	Opal white PC diffuser
Loading capacity	/
Cable Gland	IP65
Gasket	Silicone rubber gasket

Electrical Data

Input voltage	AC100-240V 50/60hz
Cable	Cable gland for waterproof IP54
Driver	Orsam

APPLICATIONS

Elegant and minimal, with clean design and perfect size, it has a technological core with LED sources perfectly distributed. The IP65 protection and the possibility to integrate protecting grids, let it become part of any architectural scheme both external and internal.

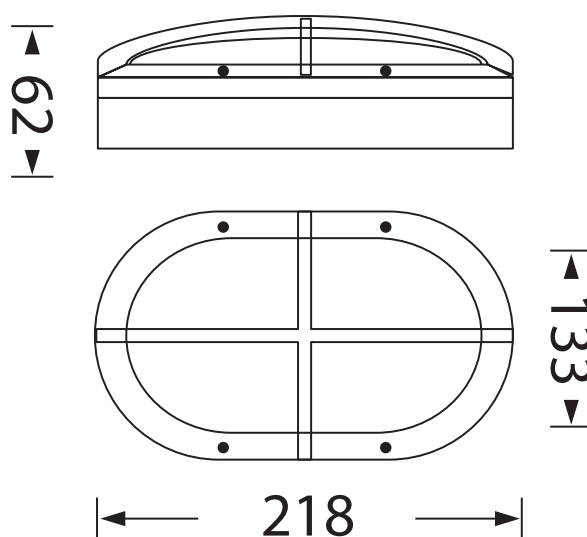
PRODUCT DESCRIPTION

Surface-mounted wall luminaire for outdoor installation, aluminum body, Glass diffuser, stainless steel screws, Low power Orsam SMD2835 , IP65 rating.

FIXTURE CONSTRUCTION

Cast aluminum body, with passivated (anodizing) anticorrosion finishing, stainless steel screws, silicon seal gaskets and cable gland for waterproof IP65

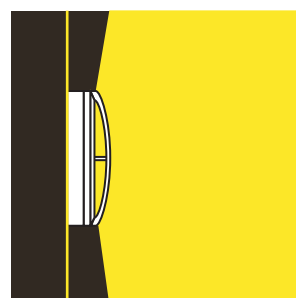
Dimension Drawing



Lamp Options

Part Number	CCT	Beam angle
OL10W2180VBWHC3	3000 K	White
OL10W2180VBWHC4	4000 K	White
OL10W2180VBBLC3	3000 K	Black
OL10W2180VBBLC4	4000 K	Black
OL10W2180VBLGC3	3000 K	Light Grey
OL10W2180VBLGC4	4000 K	Light Grey

Photometric Data



Model: OL10W218OVC



General Data

Power	10W
LED type	Orsam SMD2835
Luminous flux	70lm/w
CCT	3000K or 4000K as standard. Different CCT upon request.
CRI	>80
Beam angle	/
Dimension	Ø275x86mm
Cut out dia.	/
Lamp Life	50000 hrs
SDCM	≤5
Body Color	Light Grey/ Black / White
RAL Color	80+
Oper. Temp.	- 20+40°
Certifications	CE, RoHS

Construction Data

IP rating	IP65
Housing	Cast aluminum body
Protection finishing	Graphene powder coating finish
Glass	Opal white PC diffuser
Loading capacity	/
Cable Gland	IP65
Gasket	Silicone rubber gasket

Electrical Data

Input voltage	AC100-240V 50/60hz
Cable	Cable gland for waterproof IP54
Driver	Orsam

APPLICATIONS

Elegant and minimal, with clean design and perfect size, it has a technological core with LED sources perfectly distributed. The IP65 protection and the possibility to integrate protecting grids, let it become part of any architectural scheme both external and internal.

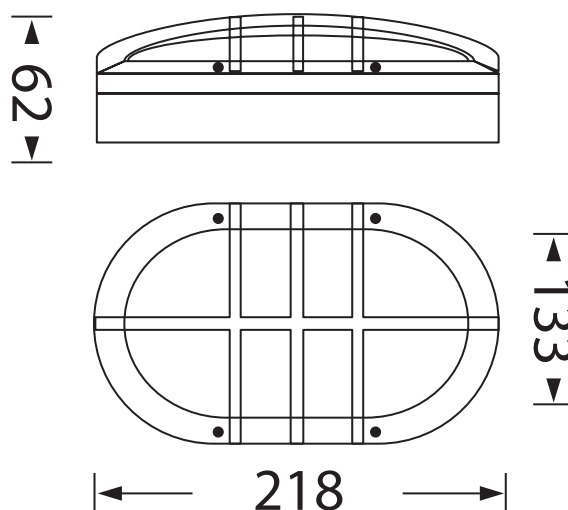
PRODUCT DESCRIPTION

Surface-mounted wall luminaire for outdoor installation, aluminum body, Glass diffuser, stainless steel screws, Low power Orsam SMD2835 , IP65 rating.

FIXTURE CONSTRUCTION

Cast aluminum body, with passivated (anodizing) anticorrosion finishing, stainless steel screws, silicon seal gaskets and cable gland for waterproof IP65

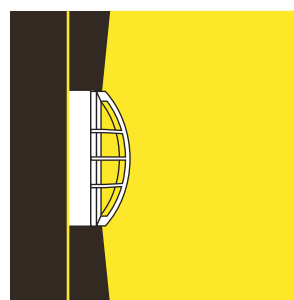
Dimension Drawing



Lamp Options

Part Number	CCT	Beam angle
OL10W218OVCWHC3	3000 K	White
OL10W218OVCWHC4	4000 K	White
OL10W218OVCBLC3	3000 K	Black
OL10W218OVCBLC4	4000 K	Black
OL10W218OVCCLGC3	3000 K	Light Grey
OL10W218OVCCLGC4	4000 K	Light Grey

Photometric Data



Model: OL20W280OVA



General Data

Power	20W
LED type	Orsam SMD2835
Luminous flux	70lm/w
CCT	3000K or 4000K as standard. Different CCT upon request.
CRI	>80
Beam angle	/
Dimension	280x185x91mm
Cut out dia.	/
Lamp Life	50000 hrs
SDCM	≤5
Body Color	Light Grey/ Black / White
RAL Color	80+
Oper. Temp.	- 20+40°
Certifications	CE, RoHS

Construction Data

IP rating	IP65
Housing	Cast aluminum body
Protection finishing	Graphene powder coating finish
Glass	Opal white PC diffuser
Loading capacity	/
Cable Gland	IP65
Gasket	Silicone rubber gasket

Electrical Data

Input voltage	AC100-240V 50/60hz
Cable	Cable gland for waterproof IP54
Driver	Orsam

APPLICATIONS

Elegant and minimal, with clean design and perfect size, it has a technological core with LED sources perfectly distributed. The IP65 protection and the possibility to integrate protecting grids, let it become part of any architectural scheme both external and internal.

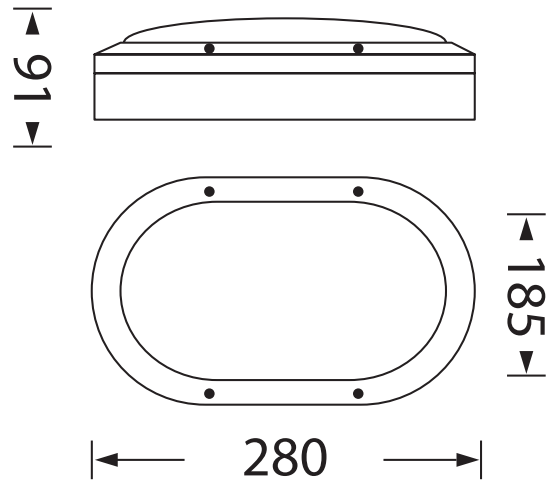
PRODUCT DESCRIPTION

Surface-mounted wall luminaire for outdoor installation, aluminum body, Glass diffuser, stainless steel screws, Low power Orsam SMD2835 , IP65 rating.

FIXTURE CONSTRUCTION

Cast aluminum body, with passivated (anodizing) anticorrosion finishing, stainless steel screws, silicon seal gaskets and cable gland for waterproof IP65

Dimension Drawing



Lamp Options

Part Number	CCT	Beam angle
OL20W2800VAWHC3	3000 K	White
OL20W2800VAWHC4	4000 K	White
OL20W2800VABLC3	3000 K	Black
OL20W2800VABLC4	4000 K	Black
OL20W2800VALGC3	3000 K	Light Grey
OL20W2800VALGC4	4000 K	Light Grey

Photometric Data



Model: OL20W280OVB



General Data

Power	20W
LED type	Orsam SMD2835
Luminous flux	70lm/w
CCT	3000K or 4000K as standard. Different CCT upon request.
CRI	>80
Beam angle	/
Dimension	218x133x62mm
Cut out dia.	/
Lamp Life	50000 hrs
SDCM	≤5
Body Color	Light Grey/ Black / White
RAL Color	80+
Oper. Temp.	- 20+40°
Certifications	CE, RoHS

Construction Data

IP rating	IP65
Housing	Cast aluminum body
Protection finishing	Graphene powder coating finish
Glass	Opal white PC diffuser
Loading capacity	/
Cable Gland	IP65
Gasket	Silicone rubber gasket

Electrical Data

Input voltage	AC100-240V 50/60hz
Cable	Cable gland for waterproof IP54
Driver	Orsam

APPLICATIONS

Elegant and minimal, with clean design and perfect size, it has a technological core with LED sources perfectly distributed. The IP65 protection and the possibility to integrate protecting grids, let it become part of any architectural scheme both external and internal.

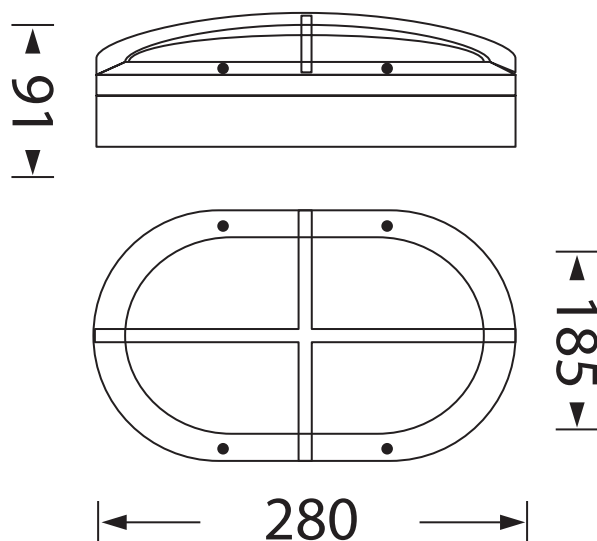
PRODUCT DESCRIPTION

Surface-mounted wall luminaire for outdoor installation, aluminum body, Glass diffuser, stainless steel screws, Low power Orsam SMD2835, IP65 rating.

FIXTURE CONSTRUCTION

Cast aluminum body, with passivated (anodizing) anticorrosion finishing, stainless steel screws, silicon seal gaskets and cable gland for waterproof IP65

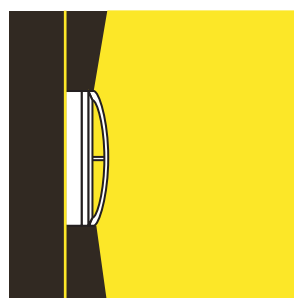
Dimension Drawing



Lamp Options

Part Number	CCT	Beam angle
OL20W280OVBWHC3	3000 K	White
OL20W280OVBWHC4	4000 K	White
OL20W280OVBBLC3	3000 K	Black
OL20W280OVBBLC4	4000 K	Black
OL20W280OVBLCG3	3000 K	Light Grey
OL20W280OVBLCG4	4000 K	Light Grey

Photometric Data



Model: OL20W280OVC



General Data

Power	20W
LED type	Orsam SMD2835
Luminous flux	70lm/w
CCT	3000K or 4000K as standard. Different CCT upon request.
CRI	>80
Beam angle	/
Dimension	218x133x62mm
Cut out dia.	/
Lamp Life	50000 hrs
SDCM	≤5
Body Color	Light Grey/ Black / White
RAL Color	80+
Oper. Temp.	- 20+40°
Certifications	CE, RoHS

Construction Data

IP rating	IP65
Housing	Cast aluminum body
Protection finishing	Graphene powder coating finish
Glass	Opal white PC diffuser
Loading capacity	/
Cable Gland	IP65
Gasket	Silicone rubber gasket

Electrical Data

Input voltage	AC100-240V 50/60hz
Cable	Cable gland for waterproof IP54
Driver	Orsam

APPLICATIONS

Elegant and minimal, with clean design and perfect size, it has a technological core with LED sources perfectly distributed. The IP65 protection and the possibility to integrate protecting grids, let it become part of any architectural scheme both external and internal.

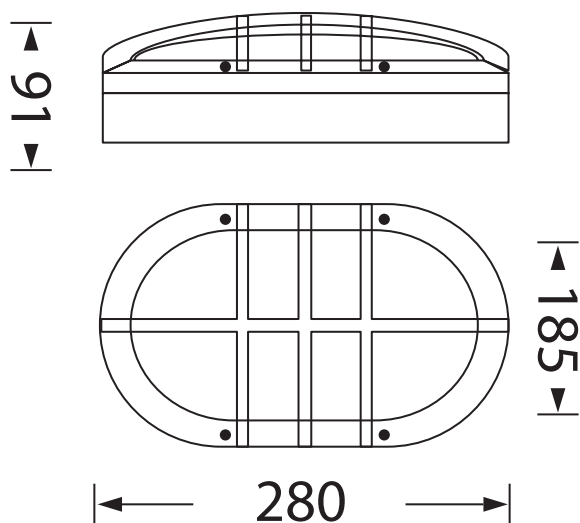
PRODUCT DESCRIPTION

Surface-mounted wall luminaire for outdoor installation, aluminum body, Glass diffuser, stainless steel screws, Low power Orsam SMD2835 , IP65 rating.

FIXTURE CONSTRUCTION

Cast aluminum body, with passivated (anodizing) anticorrosion finishing, stainless steel screws, silicon seal gaskets and cable gland for waterproof IP65

Dimension Drawing



Lamp Options

Part Number	CCT	Beam angle
OL20W280OVCWHC3	3000 K	White
OL20W280OVCWHC4	4000 K	White
OL20W280OVCBLC3	3000 K	Black
OL20W280OVCBLC4	4000 K	Black
OL20W280OVCCLGC3	3000 K	Light Grey
OL20W280OVCCLGC4	4000 K	Light Grey

Photometric Data

