

Model: XLLDL



Lamp Data

Model No.	XLLDLS Small	XLLDLM Medium	XLLDLL Large
Dimension	L1200xW60xH80mm	L1500xW60xH80mm	L3000xW60xH80mm
Input Voltage	AC200-240V, 50/60Hz		
Power	21W	27W	53W
Lumens	3200lm	4000lm	8000lm
CCT	3000K or 4000K as standard. Different CCT upon request.		
CRI	≥90		
Beam Angle	120°		
UGR:	<16		
Dimming	ON-OFF		
Installaion	Recessed / Suspended / Surface-mounted		
Lamp life	50000 hrs		
SDCM	<3		

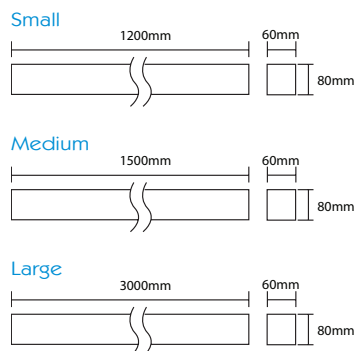
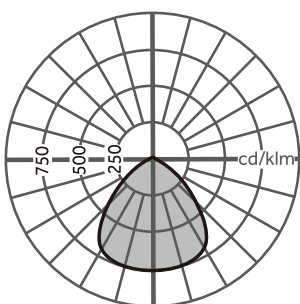
Construction Data

IP rating	IIP20 Indoor
Housing	Aluminium
Diffuser,	Opal diffuser

Construction Data

Input voltage	AC200-240V, 50/60Hz
Driver	Built in Philip ON/OFF

Photometric Data



APPLICATIONS

With direct lighting, seamless and continuous connecting, Its ideal for general lighting indoors commercial and residential applications. Such as showrooms, restaurants, dining rooms, meeting rooms, offices, passages ,corridors, cinema, super markets, shopping malls, lobbies, museum and exhibition.

PRODUCT DESCRIPTION

The UGR<16 LED linear light is made of top quality extruded aluminum. It is supplied with super bright leds, famous brand LED driver, micro-prismatic optic, direct and indirect lighting, seamless and continuous connecting, 150LM/W, CRI>90, SDCM<3, which makes it as a good choice for office/task lighting. Three standard sizes and two standard colors in available, such as 1200mm/1500mm/3000mm and white/black color

(S) Small lamp options

CONTINUOUS	CCT	SINGLE	CCT
XLLDLSCC3	3000 K	XLLDLSC3	3000 K
XLLDLSCC4	4000 K	XLLDLSC4	4000 K

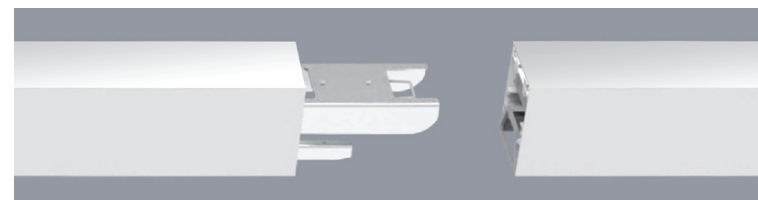
(M) Medium lamp options

CONTINUOUS	CCT	SINGLE	CCT
XLLDLMCC3	3000 K	XLLDLMC3	3000 K
XLLDLMCC4	4000 K	XLLDLMC4	4000 K

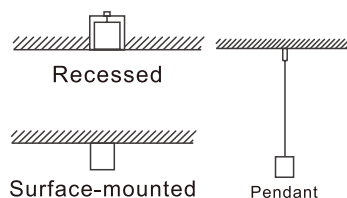
(L) LLarge lamp options

CONTINUOUS	CCT	SINGLE	CCT
XLLDLLCC3	3000 K	XLLDLLC3	3000 K
XLLDLLCC4	4000 K	XLLDLLC4	4000 K

Continuous Connection,



Installaion



Accessory

