

### Model: OLR40WCOB



#### General Data

Power	40 Watts
LED type	1x40W COB
Luminous flux	4097-4425 lm
CCT	3000K or 4000K as standard. Different CCT upon request.
CRI	80+
Beam angle	Multi beam angle including 12° 25° 38°
Dimension	Ø300 x 207 mm
Lamp Life	50000 hrs
Oper. Temp.	-20°C~40°C
Certifications	CE, RoHS

#### Construction Data

IP rating	IP67 Waterproof
IK rating	IK10
Housing	Die-casting dark grey powder coated aluminum T=60-80µm Adhesion of ISO class 1/ATM class 4B
Glass pressure capacity	Full Area=5016kgs
Trim	Hard chrome-plated stainless steel SUS 316L
Glass	Tempered frosted step glass.T=10mm
Reflector	Optical Reflector efficiency≥90%
Cable Gland	IP68 PG-9 PA66
Gasket	Molding shaped seal

#### Electrical Data

Input voltage	DC24V
Cable	H07RN-F 2X1.0mm <sup>2</sup> L=0.5m

#### Accessories

Mounting Sleeve	PC/ABS ALLOYS
-----------------	---------------

#### Driver: Constant Voltage Output

Driver Code	Watt	IP rate	Fixtures Qty	Warranty
MW- XLG-75-24	75 W	IP 67	min 1 - max 1	5 years
MW- ELG-75-24	75 W	IP 67	min 1 - max 1	5 years

- Driver to be order separately

.Cable distance should be taken into consideration -

#### APPLICATIONS

Inground recessed luminaire designed for easy installation, effective illumination, ideally for illuminating columns, walls, architectural features, as well as landscape features.

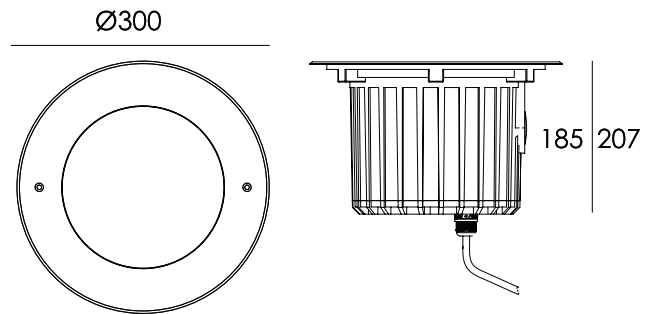
#### PRODUCT DESCRIPTION

Inground round recessed luminaire for outdoor installation, anodized extruded aluminium body, Tempered step glass, Hard chrome-plated stainless steel trim. Low power COB LED, IP67

#### FIXTURE CONSTRUCTION

Die-casting dark grey powder coated aluminum T=60-80µm Adhesion of ISO class 1/ATM class 4B, Hard chrome-plated stainless steel SUS 316L with Tempered frosted step glass.T=6mm Optical Reflector efficiency≥90% and IO67

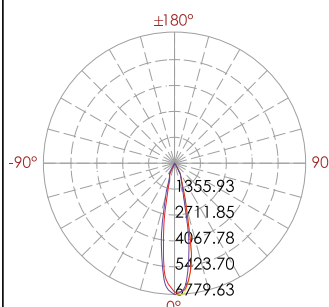
#### Dimension Drawing



#### Lamp Options

Part Number	CCT	Beam angle
OLR40WCOBC3B12	3000 K	12°
OLR40WCOBC4B12	4000 K	12°
OLR40WCOBC3B25	3000 K	25°
OLR40WCOBC4B25	4000 K	25°
OLR40WCOBC3B38	3000 K	38°
OLR40WCOBC4B38	4000 K	38°

#### Photometric Data



Lux distance cure

Distance (m)	Illuminance at a distance		Beam width	
	Center beam LUX	Beam width V	H	H
2m	1666.57 LUX	0.8m	0.8m	0.8m
4m	416.64 LUX	1.6m	1.6m	1.6m
6m	182.17 LUX	2.4m	2.4m	2.4m
8m	104.16 LUX	3.3m	3.2m	3.2m
10m	66.66 LUX	4.1m	4.0m	4.0m
12m	46.29 LUX	4.9m	4.8m	4.8m

Ver.Spread:23.0 Horiz.Spread:22.8