

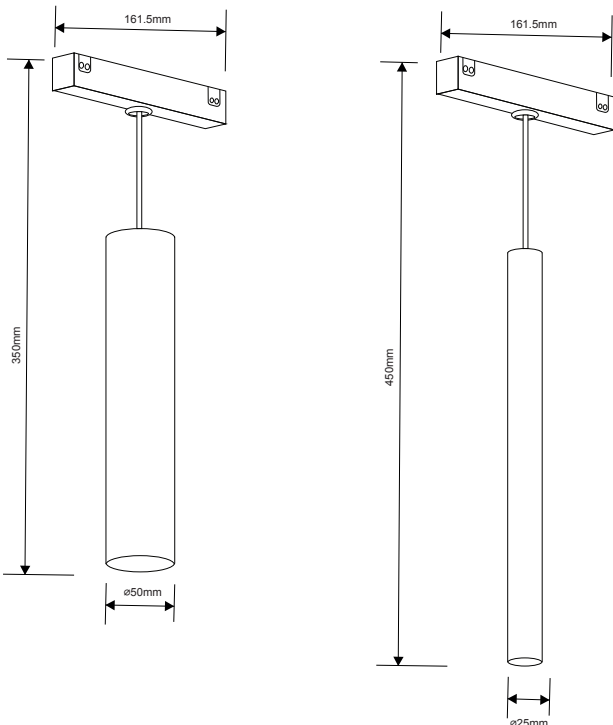
Model: XLMNDCB



General Data

Model	XLMNDCB3515	XLMNDCB4503
System Watts	15W	2.2W
Beam angle	25°/60°	25°/60°
Lamp Lumens	70-85lm/w	
Dimensions mm	ø50*H350*L161.5	ø15*H28*L161.5mm
Lamp Type	CREE	
CRI	≥90	
Lamp Life	50000 hrs	
IP Rating	20	
Input voltage (V)	48V-50/60Hz	
Body Color	White/black	
CCT	3000K/4000K	

Dimensions



APPLICATIONS

Ideal for application where comfort and nice atmosphere is required. Its widely applied to retail lighting and other high-end commercial areas.

PRODUCT DESCRIPTION

15W/2.2W Magnetic Pendant Light. Easy installation and removal from track. Optimal thermal dissipation. CCT, 3000K, 4000K, and 25°/60°beam angles.

FIXTURE CONSTRUCTION

Made of die cast aluminum body and heat sink and aluminum reflector. The adaptor locks the Pendant positively to the track, LED light source. comes in white, black.

XLMNDCB3515 15W lamp options White

Part Number	CCT	B. angle
XLMNDCB3515C3B25WH	3000 K	30°
XLMNDCB3515C4B25WH	4000 K	30°
XLMNDCB3515C3B60WH	3000 K	60°
XLMNDCB3515C3B60WH	4000 K	60°

XLMNDCB3515 15W lamp options Black

Part Number	CCT	B. angle
XLMNDCB3515C3B25BL	3000 K	30°
XLMNDCB3515C4B25BL	4000 K	30°
XLMNDCB3515C3B60BL	3000 K	60°
XLMNDCB3515C3B60BL	4000 K	60°

XLMNDCB4503 2.2W lamp options White

Part Number	CCT	B. angle
XLMNDCB4503C3B25WH	3000 K	110°
XLMNDCB4503C4B25WH	4000 K	110°
XLMNDCB4503C3B60WH	3000 K	110°
XLMNDCB4503C3B60WH	4000 K	110°

XLMNDCB4503 2.2W lamp options Black

Part Number	CCT	B. angle
XLMNDCB4503C3B25BL	3000 K	110°
XLMNDCB4503C4B25BL	4000 K	110°
XLMNDCB4503C3B60BL	3000 K	110°
XLMNDCB4503C3B60BL	4000 K	110°

Photometric Data

