

Live End ME55



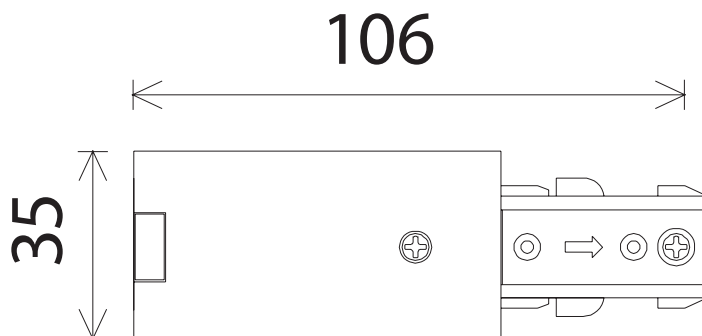
General Data

Lamp Power	16 A
Lenght	/
Track Color	White ,Silver, Black
IP Rating	IP20
Input voltage	AC 230/240V

Ordering Options

Part Number	Trim color
ME55WH	White
ME55SL	Silver
ME55BL	Black

Dimension Drawing



APPLICATIONS

Used with spot ligts for highlighting or general lighting in retail, commercial and Residential.

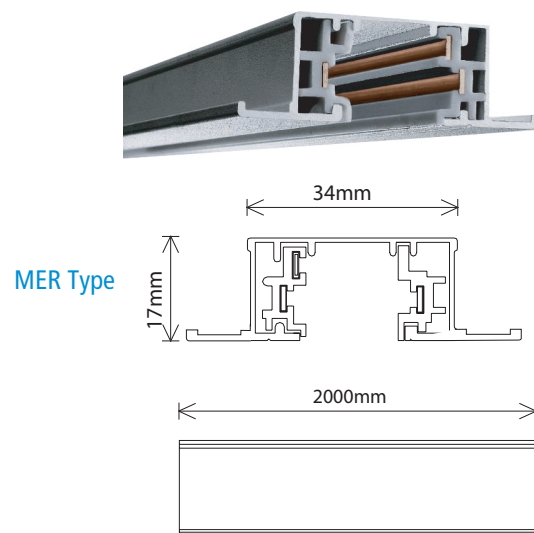
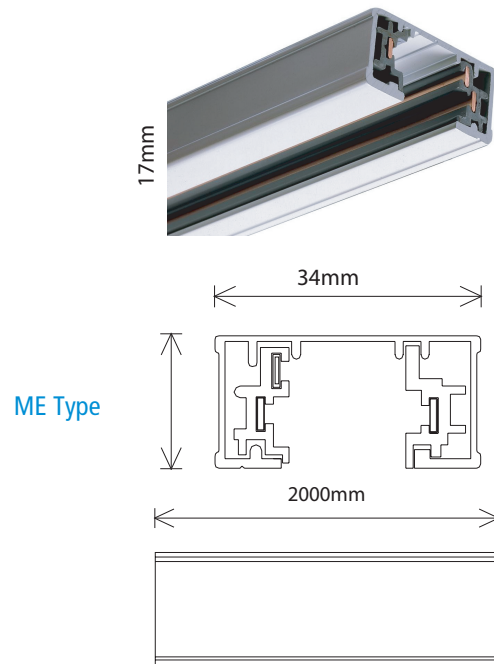
PRODUCT DESCRIPTION

Live end for Single circuit track type ME & MER Accessory; surface mounting and recessed version comes in white, black and silver colours. Easy installation, moving or removal.

FIXTURE CONSTRUCTION

Extruded low profile rigid PC, with two copper 3mm conductors, comes in white or balck or silver

This Accessory for ME / MER Tracks



ME56 L Connector



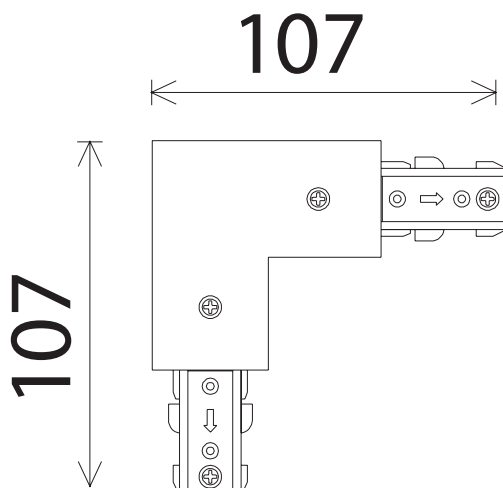
General Data

Lamp Power	16 A
Lenght	/
Track Color	White ,Silver, Black
IP Rating	IP20
Input voltage	AC 230/240V

Ordering Options

Part Number	Trim color
ME56WH	White
ME56SL	Silver
ME56BL	Black

Dimension Drawing



APPLICATIONS

Used with spot ligts for highlighting or general lighting in retail, commercial and Residential.

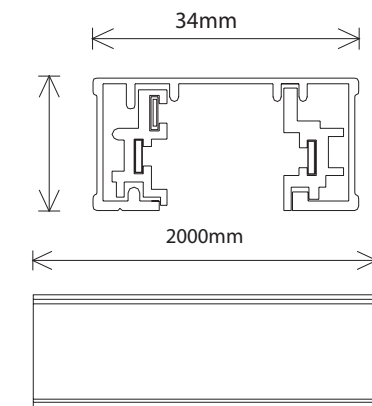
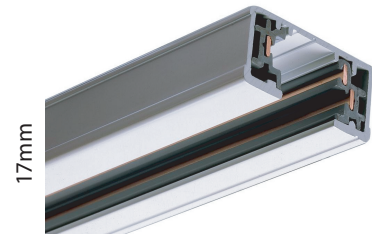
PRODUCT DESCRIPTION

"L" connector to connect two track sections at a 90° angle for Single circuit track type ME & MER Accessory; surface mounting and recessed version comes in white, black and silver colours. Easy installation, moving or removal.

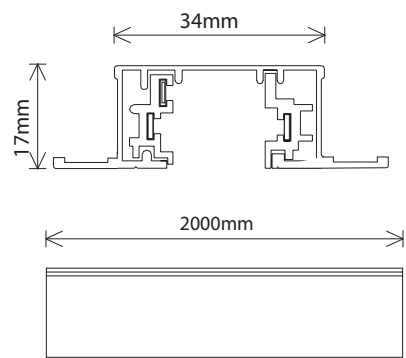
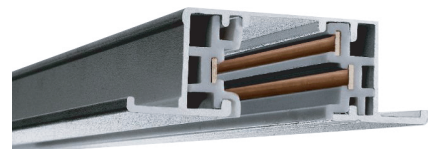
FIXTURE CONSTRUCTION

Extruded low profile rigid PC, with two copper 3mm conductors, comes in white or balck or silver

This Accessory for ME / MER Tracks

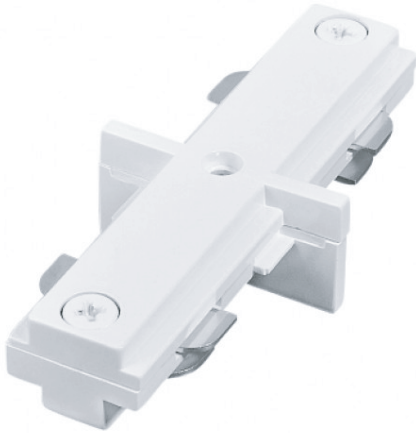


ME Type



MER Type

ME60 Mini Joiner



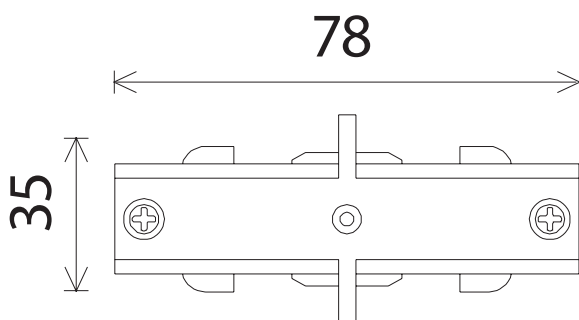
General Data

Lamp Power	16 A
Lenght	/
Track Color	White ,Silver, Black
IP Rating	IP20
Input voltage	AC 230/240V

Ordering Options

Part Number	Trim color
ME60WH	White
ME60SL	Silver
ME60BL	Black

Dimension Drawing



APPLICATIONS

Used with spot ligts for highlighting or general lighting in retail, commercial and Residential.

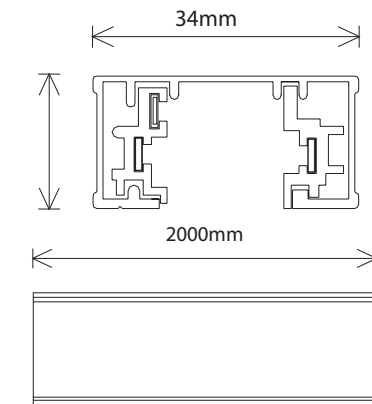
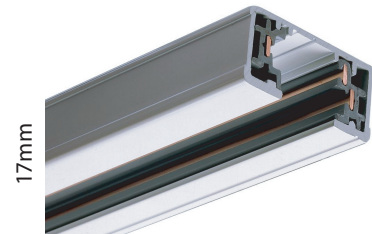
PRODUCT DESCRIPTION

Min joiner a low profile connector to join two straight track sections end-to-end for Single circuit track type ME & MER Accessory; surface mounting and recessed version comes in white, black and silver colours. Easy installation, moving or removal.

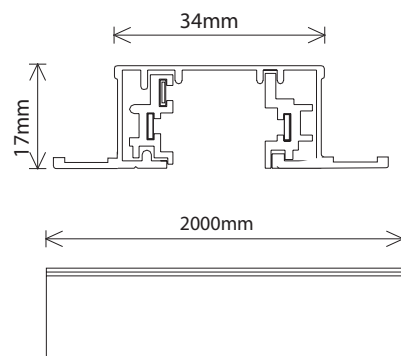
FIXTURE CONSTRUCTION

Extruded low profile rigid PC, with two copper 3mm conductors, comes in white balck or silver

This Accessory for ME / MER Tracks

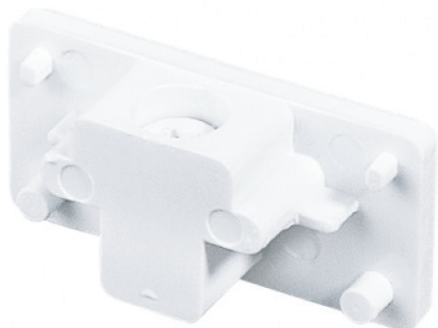


ME Type



MER Type

ME61 End Cap



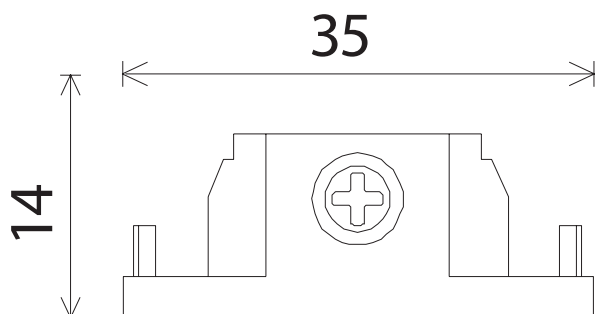
General Data

Lamp Power	/
Lenght	/
Track Color	White ,Silver, Black
IP Rating	IP20
Input voltage	/

Ordering Options

Part Number	Trim color
ME61WH	White
ME61SL	Silver
ME61BL	Black

Dimension Drawing



APPLICATIONS

Used with spot ligts for highlighting or general lighting in retail, commercial and Residential.

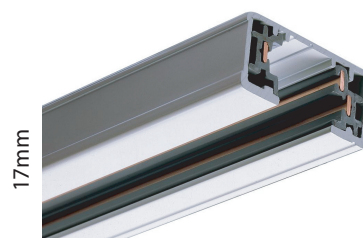
PRODUCT DESCRIPTION

End cap to the track section end for Single circuit track type ME & MER Accessory; surface mounting and recessed version comes in white, black and silver colours. Easy installation, moving or removal.

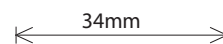
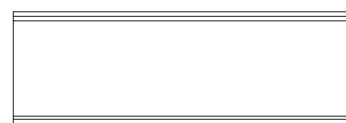
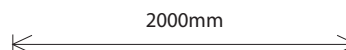
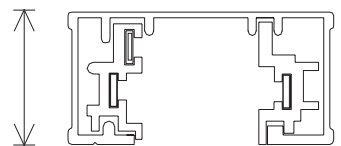
FIXTURE CONSTRUCTION

Extruded low profile rigid PC, with two copper 3mm conductors, comes in white ro balck or silver

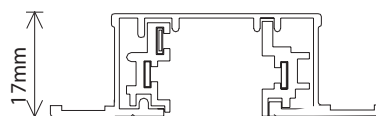
This Accessory for ME / MER Tracks



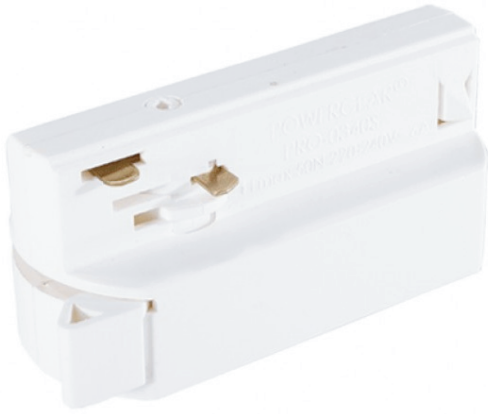
ME Type



MER Type



ME63 3 Wires Adaptor



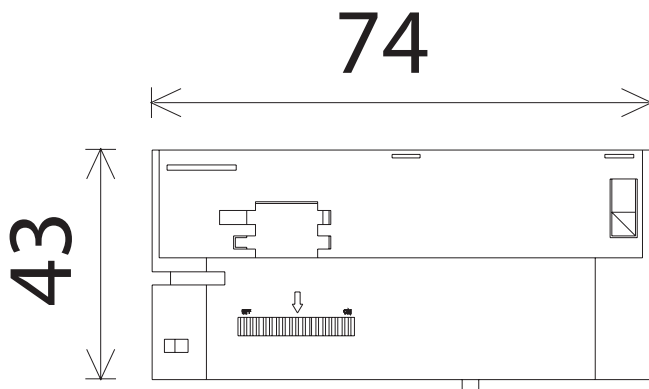
General Data

Lamp Power	16 A
Lenght	/
Track Color	White ,Silver, Black
IP Rating	IP20
Input voltage	AC 230/240V

Ordering Options

Part Number	Trim color
ME63WH	White
ME63SL	Silver
ME63BL	Black

Dimension Drawing



APPLICATIONS

Used with spot ligts for highlighting or general lighting in retail, commercial and Residential.

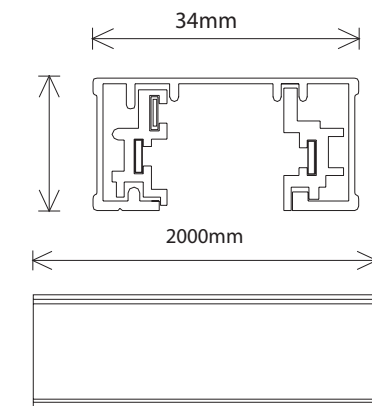
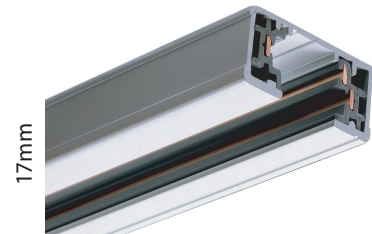
PRODUCT DESCRIPTION

3 Wires adaptor for Single circuit track type ME & MER Accessory; surface mounting and recessed version comes in white, black and silver colours. Easy installation, moving or removal.

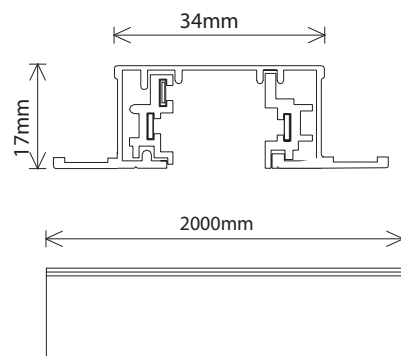
FIXTURE CONSTRUCTION

Extruded low profile rigid PC, with two copper 3mm conductors, comes in white balck or silver

This Accessory for ME / MER Tracks



ME Type



MER Type

ME64 3 Wires Adaptor



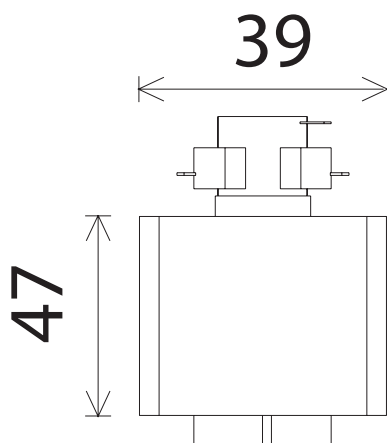
General Data

Lamp Power	16 A
Lenght	/
Track Color	White ,Silver, Black
IP Rating	IP20
Input voltage	AC 230/240V

Ordering Options

Part Number	Trim color
ME64WH	White
ME64SL	Silver
ME64BL	Black

Dimension Drawing



APPLICATIONS

Used with spot ligts for highlighting or general lighting in retail, commercial and Residential.

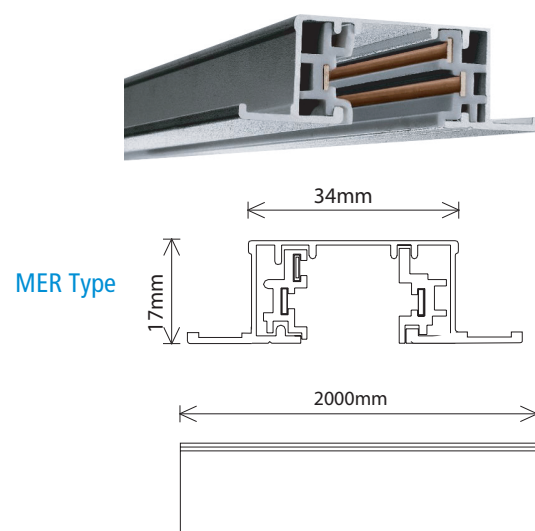
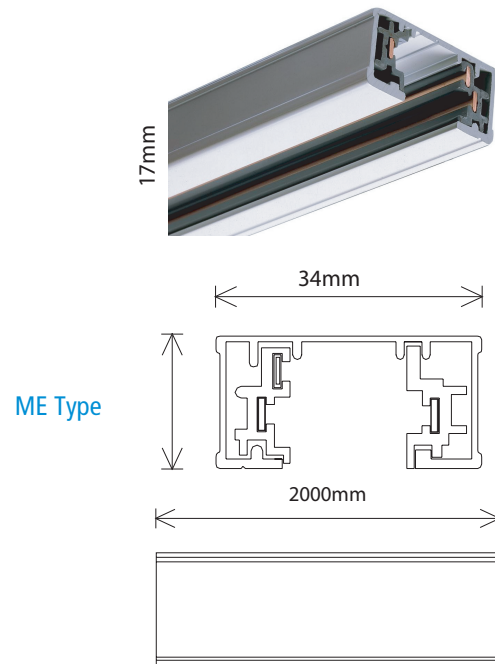
PRODUCT DESCRIPTION

3 Wires adaptor Provides electrical connection to wire in chandelier or pendant fixture up to 25 lbs. for Single circuit track type ME & MER Accessory; surface mounting and recessed version comes in white, black and silver colours. Easy installation, moving or removal.

FIXTURE CONSTRUCTION

Extruded low profile rigid PC, with two copper 3mm conductors, comes in white ro balck or silver

This Accessory for ME / MER Tracks



ME66 Middle Connector



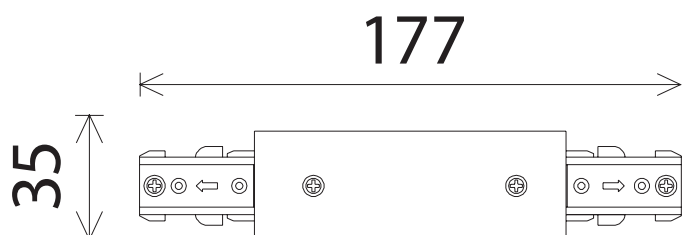
General Data

Lamp Power	16 A
Lenght	/
Track Color	White ,Silver, Black
IP Rating	IP20
Input voltage	AC 230/240V

Ordering Options

Part Number	Trim color
ME66WH	White
ME66SL	Silver
ME66BL	Black

Dimension Drawing



APPLICATIONS

Used with spot ligts for highlighting or general lighting in retail, commercial and Residential.

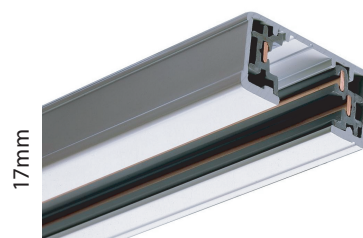
PRODUCT DESCRIPTION

Straight connector To connect two track sections end-to-end It Provides a center feed optionfor Single circuit track type ME & MER Accessory; surface mounting and recessed version comes in white, black and silver colours. Easy installation, moving or removal.

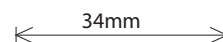
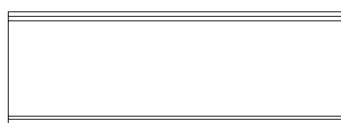
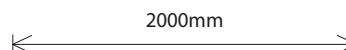
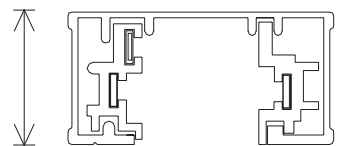
FIXTURE CONSTRUCTION

Extruded low profile rigid PC, with two copper 3mm conductors, comes in white ro balck or silver

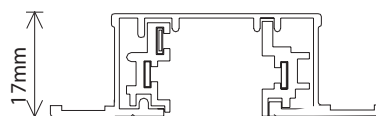
This Accessory for ME / MER Tracks



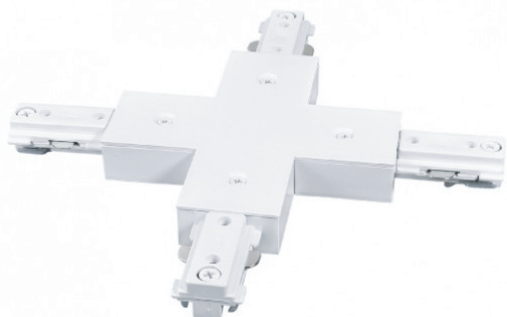
ME Type



MER Type



X Connecto ME67



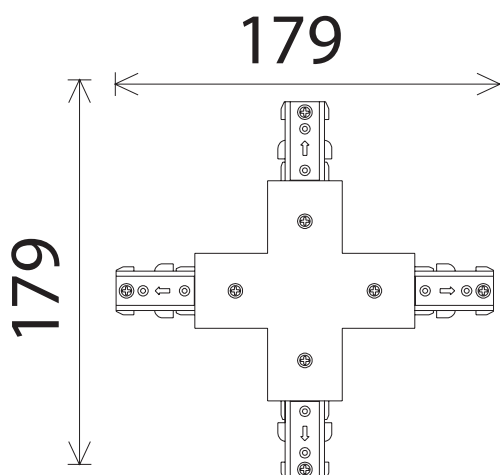
General Data

Lamp Power	16 A
Lenght	/
Track Color	White ,Silver, Black
IP Rating	IP20
Input voltage	AC 230/240V

Ordering Options

Part Number	Trim color
ME67WH	White
ME67SL	Silver
ME67BL	Black

Dimension Drawing



APPLICATIONS

Used with spot ligts for highlighting or general lighting in retail, commercial and Residential.

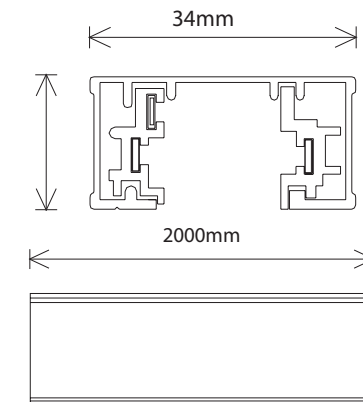
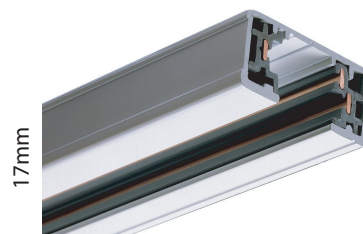
PRODUCT DESCRIPTION

"+" connector To connect four track sections into a cross for Single circuit track type ME & MER Accessory; surface mounting and recessed version comes in white, black and silver colours. Easy installation, moving or removal.

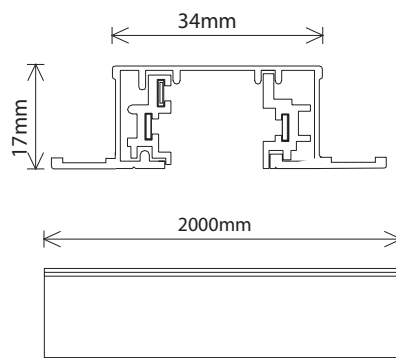
FIXTURE CONSTRUCTION

Extruded low profile rigid PC, with two copper 3mm conductors, comes in white or balck or silver

This Accessory for ME / MER Tracks



ME Type



MER Type

ME69 Flexible Connector



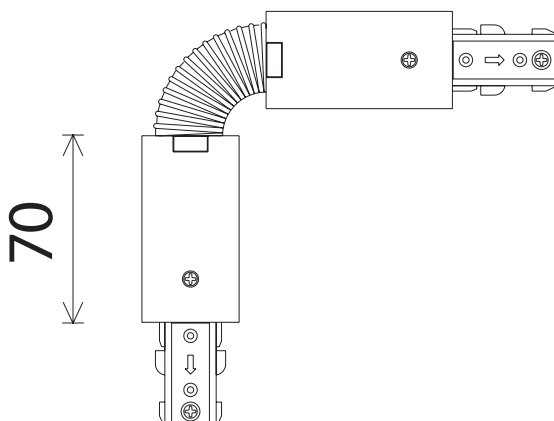
General Data

Lamp Power	16 A
Lenght	/
Track Color	White ,Silver, Black
IP Rating	IP20
Input voltage	AC 230/240V

Ordering Options

Part Number	Trim color
ME69WH	White
ME69SL	Silver
ME69BL	Black

Dimension Drawing



APPLICATIONS

Used with spot ligts for highlighting or general lighting in retail, commercial and Residential.

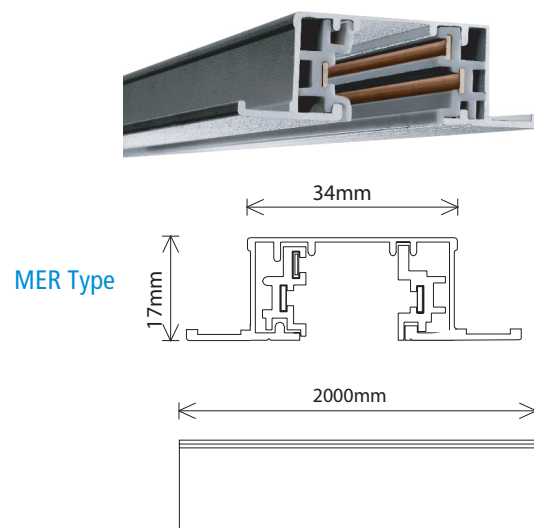
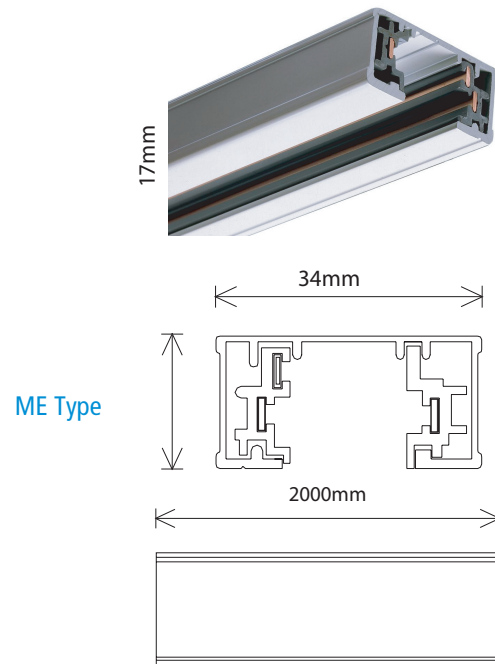
PRODUCT DESCRIPTION

Flexible connector to connect two track sections at any angle up to 90° or wall to ceiling or pitched ceiling applications. for Single circuit track type ME & MER Accessory; surface mounting and recessed version comes in white, black and silver colours. Easy installation, moving or removal.

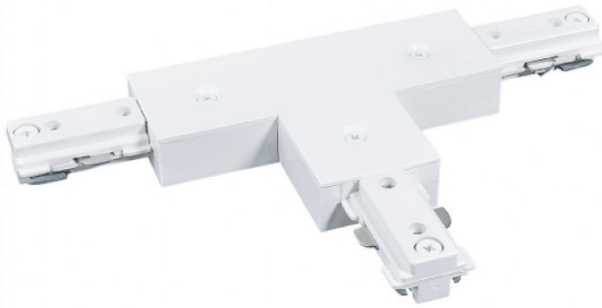
FIXTURE CONSTRUCTION

Extruded low profile rigid PC, with two copper 3mm conductors, comes in white ro balck or silver

This Accessory for ME / MER Tracks



ME85 T Connector



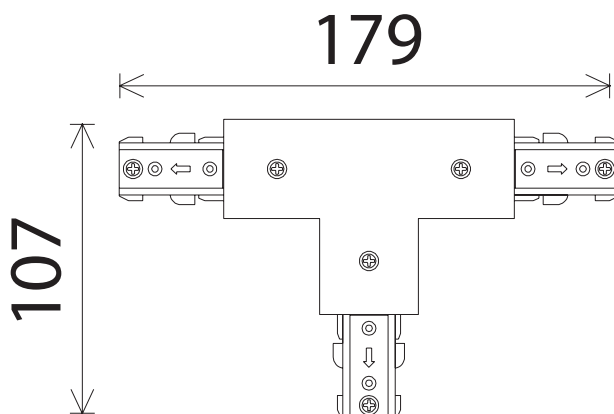
General Data

Lamp Power	16 A
Lenght	/
Track Color	White ,Silver, Black
IP Rating	IP20
Input voltage	AC 230/240V

Ordering Options

Part Number	Trim color
ME85WH	White
ME85SL	Silver
ME85BL	Black

Dimension Drawing



APPLICATIONS

Used with spot ligts for highlighting or general lighting in retail, commercial and Residential.

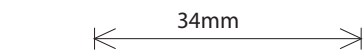
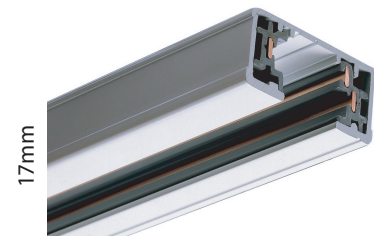
PRODUCT DESCRIPTION

"T" connector To connect three track sections into a "T" for Single circuit track type ME & MERAccessory; surface mounting and recessed version comes in white, black and silver colours. Easy installation, moving or removal.

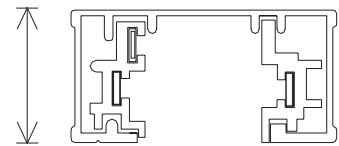
FIXTURE CONSTRUCTION

Extruded low profile rigid PC, with two copper 3mm conductors, comes in white balck or silver

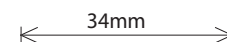
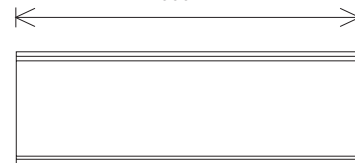
This Accessory for ME / MER Tracks



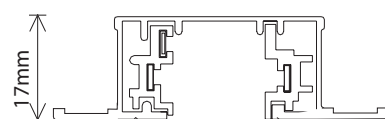
ME Type



2000mm



MER Type



2000mm

