

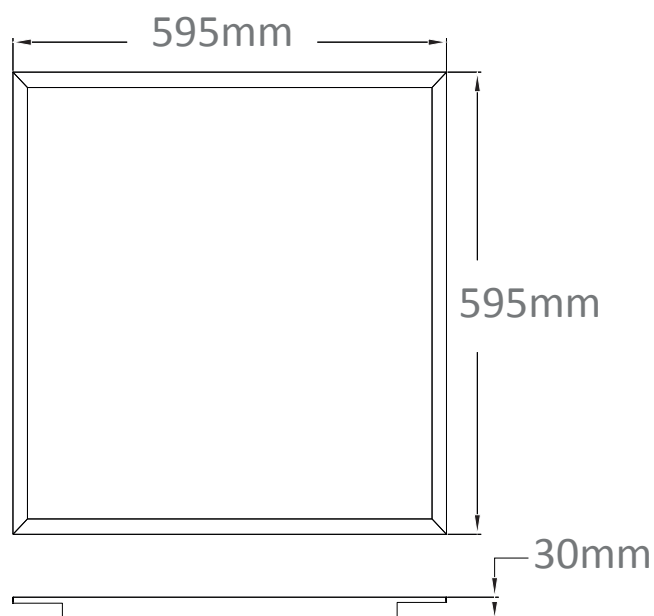
**Model: XL20PNO40B**



**General Data**

LED Type	SMD2835
Watts	40 W
Lumens	4800lm
Lamp Life	50000 hrs
CRI	>80 Ra
Beam Angle	120°
IP Rating	IP20
Weight	3.4 Kgs
Voltage	220-240V
Dimming	1-10 V / DALI
CCT	3000K/4000K/6000K
Opr. Temp.	-20 to +40
Dime. mm	595x595x9

**Dimension Drawing**



**APPLICATIONS**

Ideal for indoor general lighting for commercial and residential applications such as schools, meeting rooms, offices, hospitals, supermarket, hypermarkets, warehouses.

**PRODUCT DESCRIPTION**

Slim design recessed or surface mounted high output LED panels with white aluminum frame and remote driver, the panel comes with opal diffuser, IP20.

**FIXTURE CONSTRUCTION**

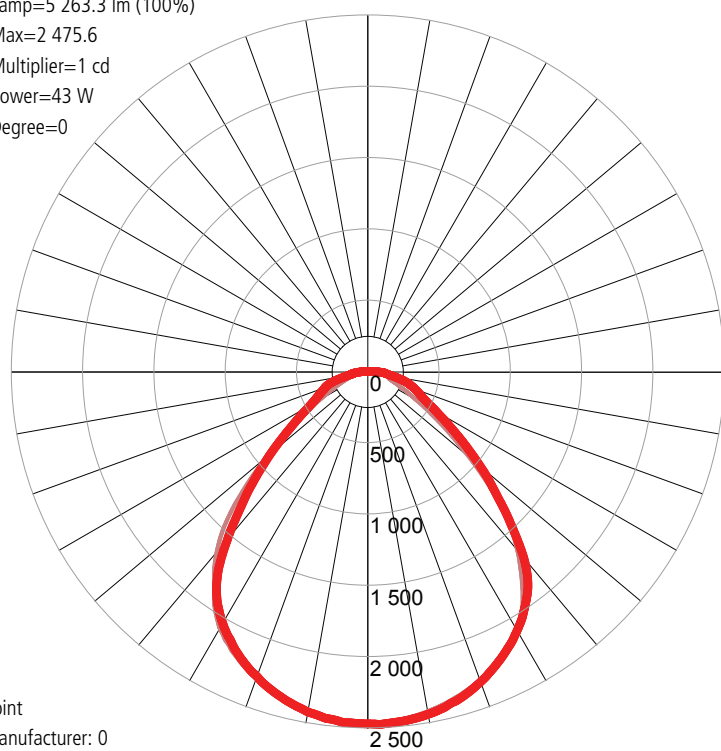
Aluminum body with opal diffuser, with remote non dimmable, dimmable, or Dali driver, excellent rendering above CRI>80, IP20.

**Lamp Options**

Part Number	CCT
XL20PNO40BC3	3000 K
XL20PNO40BC4	4000 K
XL20PNO40BC6	6000 K

**Photometric Data**

Lamp=5 263.3 lm (100%)  
Max=2 475.6  
Multiplier=1 cd  
Power=43 W  
Degree=0



Point  
Manufacturer: 0  
Luminaire catalog: 595x595-6000K  
Luminaire: 1