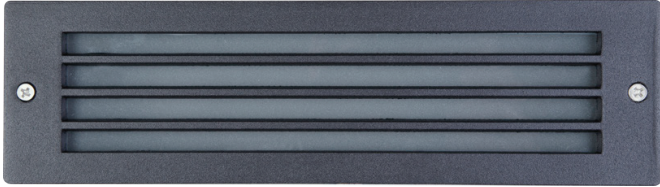


Model: XLST3653A



General Data

Model Number	XLST3653A10W	XLST3653A15W	XLST3653A20W
Power	10W	15W	20W
LED type	30pcs 2835 LED	30pcs 3030 LED	30pcs 3030 LED
Luminous flux	500lm	728lm	881lm
CCT	3000K,4000K,RGBW as standard. Different CCT upon request.		
CRI	80+		
Beam angle	96°		
Dimension	254x72x94mm		
Cut out dia.	250x65x100mm		
Lamp Life	50000 hrs		
SDCM	≤5		
Oper. Temp.	-20~40°C		
Certifications	CE, RoHS		

Construction Data

IP rating	IP65 Waterproof
IK rating	IK06
Housing	Die-casting Aluminum
Trim	Die-casting Aluminum
Glass	Frost Glass
Cable Gland	IP67
Gasket	silicone gasket

Electrical Data

Input voltage	110-240V/50Hz 60Hz
Insulation class	Class I
Cable	3*1mm2 wire

Accessories

Mounting sleeve	Hex wrench Iron
-----------------	-----------------

APPLICATIONS

Sharp and minimal design combined with a perfect light beam. This luminaire equipped with LED source, creates a marked blade of light on the wall.

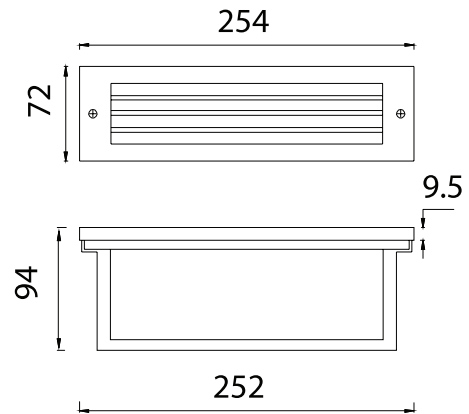
PRODUCT DESCRIPTION

Recessed wall luminaire for outdoor installation, aluminium body, Tempered glass, Low power CREE XPE LED, IP65 rating

FIXTURE CONSTRUCTION

Powder coated painting Aluminium for housing with Powder coated Aluminium trim, with Frost Glass, build-in driver 110-240V/50-60Hz. IP65

Dimension Drawing



Lamp Options

10W lamp options

Part Number	CCT	Beam angle
XLST3653A10WC3	3000 K	96°
XLST3653A10WC4	4000 K	96°

Lamp Options

15W lamp options

Part Number	CCT	Beam angle
XLST3653A15WC3	3000 K	96°
XLST3653A15WC4	4000 K	96°

Lamp Options

20W lamp options

Part Number	CCT	Beam angle
XLST3653A20WC3	3000 K	96°
XLST3653A20WC4	4000 K	96°

Photometric Data

