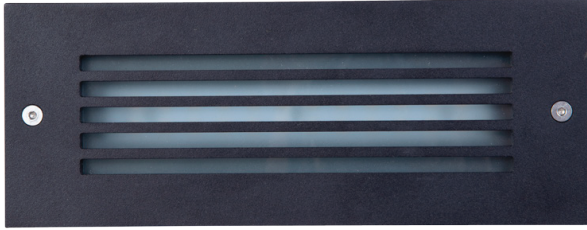


### Model: XLST3650A10W



#### General Data

|                |   |
|----------------|---|
| Power          | 10 Watts  |
| LED type       | 24 PCS 2835 SMD LED                                     |
| Luminous flux  | 311 lm  |
| CCT            | 3000K or 4000K as standard. Different CCT upon request. |
| CRI            | 80+   |
| Beam angle     | 106°  |
| Dimension      | 220 x 85 x 83 mm  |
| Cut out dia.   | 200 x 80 x 90 mm  |
| Lamp Life      | 50000 hrs   |
| SDCM           | ≤5  |
| Oper. Temp.    | -20~40°C  |
| Certifications | CE, RoHS  |

#### Construction Data

|             |                      |
|-------------|----------------------|
| IP rating   | IP65 Waterproof      |
| IK rating   | IK06                 |
| Housing     | Die-casting Aluminum |
| Trim        | Die-casting Aluminum |
| Glass       | Frost glass          |
| Cable Gland | IP67                 |
| Gasket      | silicone gasket      |

#### Electrical Data

|                  |                    |
|------------------|--------------------|
| Input voltage    | 110-240V/50Hz 60Hz |
| Insulation class | Class I            |
| Cable            | 3*1mm2 wire        |

#### Accessories

Mounting sleeve Hex wrench Iron

#### APPLICATIONS

Sharp and minimal design combined with a perfect light beam. This luminaire equipped with LED source, creates a marked blade of light on the wall.

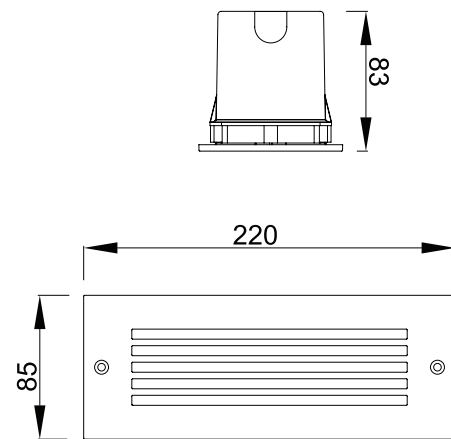
#### PRODUCT DESCRIPTION

Recessed wall luminaire for outdoor installation, aluminium body, Tempered glass, Low power CREE XPE LED, IP65 rating

#### FIXTURE CONSTRUCTION

Powder coated painting Aluminium for housing with Powder coated Aluminium trim, with Frost Glass, build-in driver 110-240V/50-60Hz. IP65

#### Dimension Drawing



3650A

#### Lamp Options

| Part Number    | CCT    | Beam angle |
|----------------|--------|------------|
| XLST3650A10WC3 | 3000 K | 106°       |
| XLST3650A10WC4 | 4000 K | 106°       |

#### Photometric Data

