

Model: OLP304928



General Data

Power	8 W
LED type	OSRAM LED
Luminous flux	844 lm
CCT	3000K or 4000K as standard. Different CCT upon request.
CRI	80+
Beam angle	145°
Dimension	300x208mm
Cut out dia.	/
Weight (kgs)	1.9 kgs
Lamp Life	50000 hrs
SDCM	≤5
Ambient Temp.	-40°-45°
RAL Color	80+
Oper. Temp.	-30°-45°
Certifications	CE, RoHS

Construction Data

IP rating	IP54 Waterproof
Housing	Aluminum lamp body
Protection finishing	Graphene powder coating finish
Glass	Tempered glass diffuser
Loading capacity	2000 kgs
Cable Gland	PG7 IP67
Gasket	Silicone rubber gasket

Electrical Data

Input voltage	AC 110-240V
Cable	1PC rubber cable 1M

APPLICATIONS

A new range of lighting objects that are ideal for the completion of outdoor projects. With cutting edge design and innovative LED technology, This bollard is an object of urban design that can be integrated into any context and is particularly suitable for paths, parks and landscape areas

PRODUCT DESCRIPTION

LED bollard luminaire for outdoor installation, aluminum body, 800mm height, Glass diffuser, stainless steel screws, Low power OSRAM LED, IP54 rating.

FIXTURE CONSTRUCTION

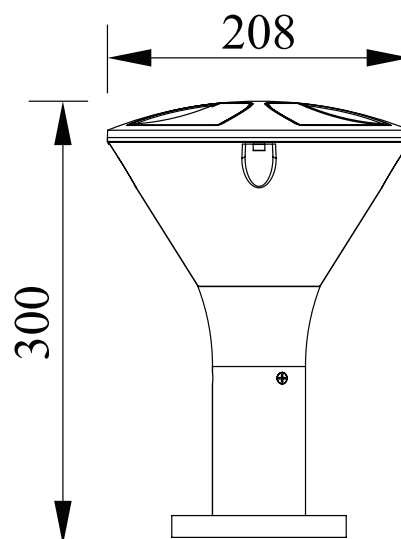
Aluminum body housing, Anti-corrosion Graphene powder coating finishing, Tempered glass diffuser for high loading capacity, Silicone rubber gasket. IP65 rating

Accessories

Mounting Sleeve /

Clip /

Dimension Drawing

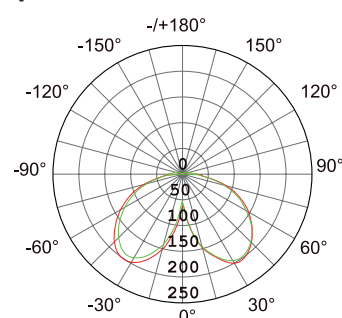


Lamp Options

Part Number	CCT	Beam angle
OLP304928C3B145	3000 K	145°
OLP304928C4B145	4000 K	145°

Photometric Data

Light Distribution Curve [Unit: cd]



Illumination Drawing

