

Model: OLAD26W



General Data

Power	26.4 Watts
LED type	12x2.2W
Luminous flux	2392 lm
CCT	3000K or 4000K as standard. Different CCT upon request.
CRI	80+
Beam angle	Multi beam angle including 15° 20° 30°50°
Dimension	Ø300 x 207 mm
Lamp Life	50000 hrs
Oper. Temp.	-20°C~40°C
Certifications	CE, RoHS

Construction Data

IP rating	IP67 Waterproof
IK rating	IK10
Housing	die-casting grey powder coated aluminum . T=60-80µm. Adhesion of ISO class 1/ASTM class 4B
Glass pressure capacity	Full Area=2526kgs
Trim	Hard chromeplated stainless steel SUS 316L
Glass	Tempered frosted step glass.T=10mm
Reflector	Optical Reflector efficiency≥90%
Cable Gland	IP68 PG-9 PA66
Gasket	Molding shaped seal

Electrical Data

Input voltage	DC24V
Dimmable Support	Triac PWM 1-10V Dali
Cable	H07RN-F 2X1.5mm2 L=0.5m

Accessories

Mounting Sleeve	ABS Housing with diron base
Optional Accessory	Honey comb

Driver: Constant Voltage Output

Driver Code	Watt	IP rate	Fixtures Qty	Warranty
MW- NPF-40-24	40 W	IP 67	max 1	5 years
MW- XLG-75-24	75 W	IP 67	min 1 - max2	5 years
MW- ELG-75-24	75 W	IP 67	min 1 - max 2	5 years

- Driver to be order separately

.Cable distance should be taken into consideration -

APPLICATIONS

Inground recessed luminaire designed for easy installation, effective illumination, ideally for illuminating columns, walls, architectural features, as well as landscape features.

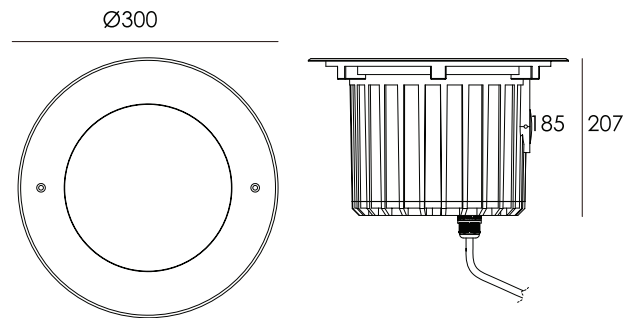
PRODUCT DESCRIPTION

Recessed luminaire designed for easy installation, effective illumination, ideally for illuminating columns, walls, architectural features, as well as landscape features. The adjustable lamp allows (20- or 20+) degree drawing attention to key objects.

FIXTURE CONSTRUCTION

die-casting grey powder coated aluminum .T=60-80µm. Adhesion of ISO class 1/ASTM class 4B, Hard chromeplated stainless steel SUS 316LL with Tempered frosted step glass. Optical Reflector efficiency≥90% and IP67

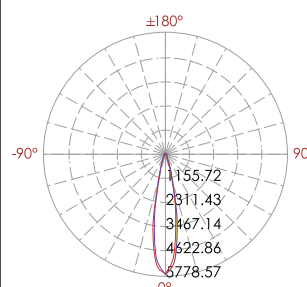
Dimension Drawing



Lamp Options

Part Number	CCT	Beam angle
OLAD26WC3B12	3000 K	15°
OLAD26WC4B12	4000 K	15°
OLAD26WC3B25	3000 K	20°
OLAD26WC4B25	4000 K	20°
OLAD26WC3B38	3000 K	30°
OLAD26WC4B38	4000 K	30°
OLAD26WC3B38	3000 K	50°
OLAD26WC4B38	4000 K	50°

Photometric Data



Lux distance cure

	Illuminance at a distance		Beam width	
	Center beam LUX	Beam width V	H	H
2m	1428.35 LUX	0.7m	0.7m	
4m	357.09 LUX	1.5m	1.5m	
6m	158.71 LUX	2.2m	2.2m	
8m	89.27 LUX	3.0m	2.9m	
10m	57.13 LUX	3.7m	3.7m	
12m	39.68 LUX	4.5m	4.4m	

Ver.Spread:21.1 Horiz.Spread:20.8