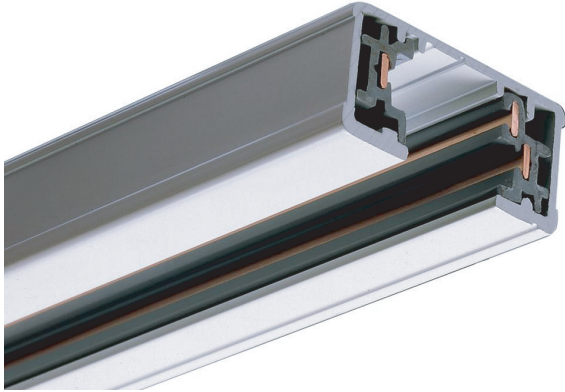


ME1 - Single Circuit Tracks



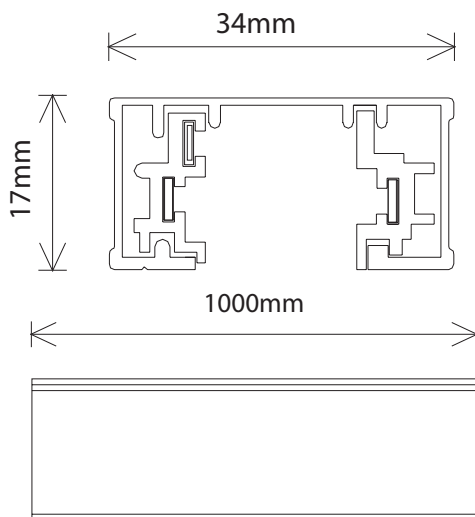
General Data

Lamp Power	16 A
Length	1000mm
Track Color	White, Silver, Black
IP Rating	IP20
Input voltage	AC 230/240V

Ordering Options

Part Number	Length	Trim color
ME1WH	1000 mm	White
ME1SL	1000 mm	Silver
ME1BL	1000 mm	Black

Dimension Drawing



APPLICATIONS

Used with spot lights for highlighting or general lighting in retail, commercial and Residential.

PRODUCT DESCRIPTION

Standard 16 A 1000 mm length single circuit track; surface mounting version comes in, White, black and silver colors, by using suspension wires you can make the whole system pendent, made of die cast aluminium. Easy installation, moving or removal

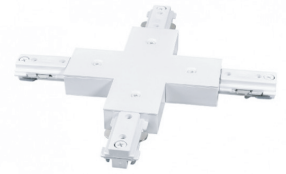
FIXTURE CONSTRUCTION

Extruded low profile rigid aluminum, CPVC insulation, with two copper 3mm² conductors, and powder coated in white or black or silver.

Single Circuit Tracks Accessory



Live End ME55



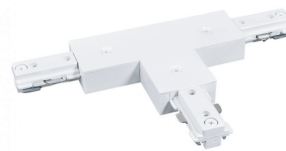
X Connecto ME67



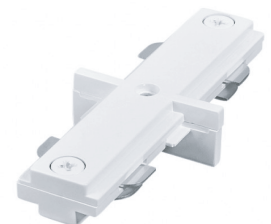
Flexible Connector ME69



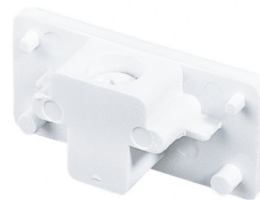
L Connector ME56



T Connector ME85



Mini Joiner ME60



End Cap ME61



3 Wires Adaptor ME63



3 Wires Adaptor ME64



Middle Connector ME66

ME2 - Single Circuit Tracks



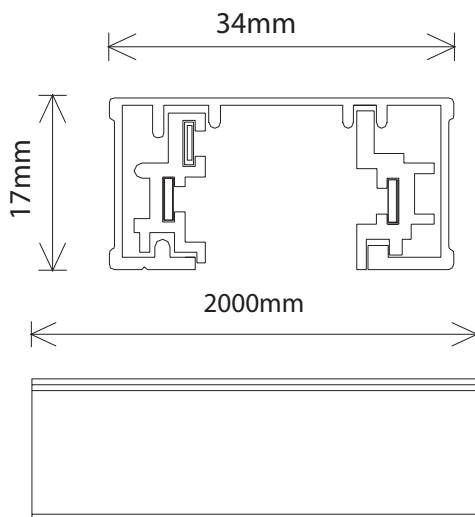
General Data

Lamp Power	16 A
Length	2000mm
Track Color	White, Silver, Black
IP Rating	IP20
Input voltage	AC 230/240V

Ordering Options

Part Number	Length	Trim color
ME2WH	2000 mm	White
ME2SL	2000 mm	Silver
ME2BL	2000 mm	Black

Dimension Drawing



APPLICATIONS

Used with spot lights for highlighting or general lighting in retail, commercial and Residential.

PRODUCT DESCRIPTION

Standard 16A 2000 mm length single circuit track; surface mounting version comes in, White, black and silver colors, by using suspension wires you can make the whole system pendent, made of die cast aluminium. Easy installation, moving or removal

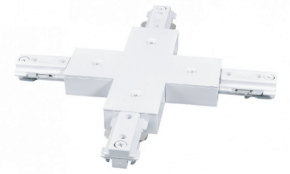
FIXTURE CONSTRUCTION

Extruded low profile rigid aluminum, CPVC insulation, with two copper 3mm² conductors, and powder coated in white or black or silver.

Single Circuit Tracks Accessory



Live End ME55



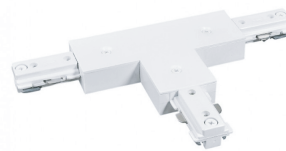
X Connecto ME67



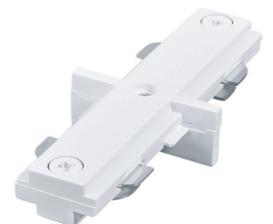
Flexible Connector ME69



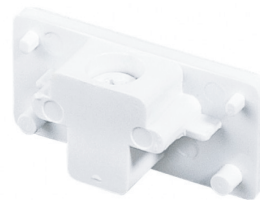
L Connector ME56



T Connector ME85



Mini Joiner ME60



End Cap ME61



3 Wires Adaptor ME63



3 Wires Adaptor ME64



Middle Connector ME66