

Model: XLS02PD



General Data

Max. rated power	60W
Max. voltage (DC)	30V

APPLICATIONS

cabinet & Mirror Light lighting very efficient use of light. The fact that under cabinet lighting directs light to where it is needed (i.e. kitchen counter) without much "wasted" light that spills over across the room.

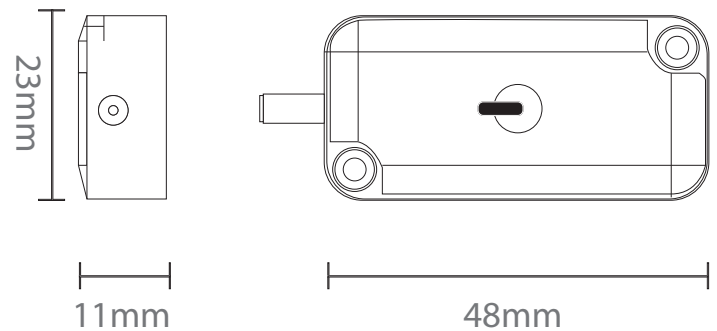
PRODUCT DESCRIPTION

PIR Sensor function with Adjustable time and sensibility.

FIXTURE CONSTRUCTION

- PIR Sensor function
- Adjustable time and sensibility
- Max. rated power: 60W
- Max. voltage (DC): 30V
- Material: plastic
- Connected by wires or by DC head
- Dimensions: 48x23x11mm

Dimension Drawing



Model: XLS02PR



General Data

Max. rated power	60W
Max. voltage (DC)	30V

APPLICATIONS

cabinet & Mirror Light lighting very efficient use of light. The fact that under cabinet lighting directs light to where it is needed (i.e. kitchen counter) without much "wasted" light that spills over across the room.

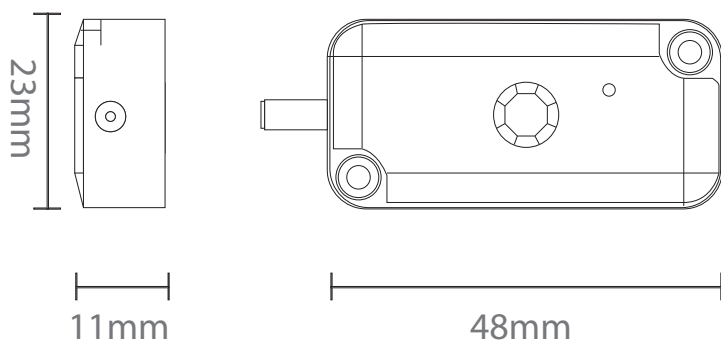
PRODUCT DESCRIPTION

PIR Sensor function with Adjustable time and sensibility.

FIXTURE CONSTRUCTION

- PIR Sensor function
- Adjustable time and sensibility
- Max. rated power: 60W
- Max. voltage (DC): 30V
- Material: plastic
- Connected by wires or by DC head
- Dimensions: 48x23x11mm

Dimension Drawing



Model: XLS021R



General Data

Max. rated power	60W
Max. voltage (DC)	30V

APPLICATIONS

cabinet & Mirror Light lighting very efficient use of light. The fact that under cabinet lighting directs light to where it is needed (i.e. kitchen counter) without much "wasted" light that spills over across the room.

PRODUCT DESCRIPTION

IR sensor function, two modes in one (touch mode and door mode)

FIXTURE CONSTRUCTION

- Max. rated power: 60W
- Max. voltage (DC): 30V
- Material: plastic
- Connected by wires or by DC head
- Dimensions: 48x23x11mm

Dimension Drawing

