

XL marlin Lighting

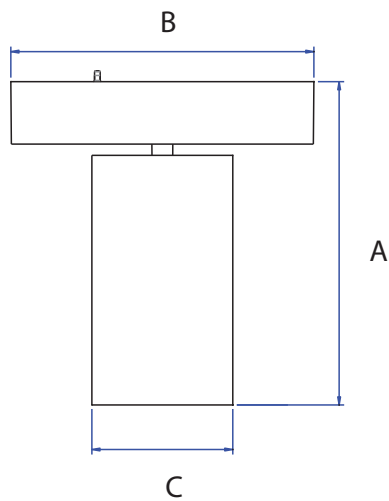
Magnetic Spot track Light (XLMTS) Installation Instruction

The user: thank you for your purchase use this product, read this instruction manual before usage

1. Model: XLMTS3 $\varnothing 35 \times 75 \times 68$
XLMTS5 $\varnothing 35 \times 75 \times 68$
XLMTS7 $\varnothing 50 \times 118 \times 125$
XLMTS12 $\varnothing 50 \times 118 \times 140$
XLMTS15 $\varnothing 50 \times 118 \times 125$

2. Rated Voltage: DC48V

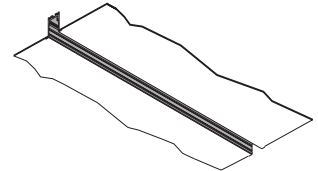
3. IP Grade: IP20



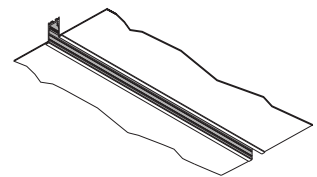
- Always disconnect the power supply before installing or performing any maintenance operations.
- Installation should be carried out by a suitably qualified person in accordance with good electrical practice and the appropriate national wiring regulations.
- These luminaires are widely used in commercial lighting, home decoration lighting, art gallery and museums.
- Only can be touched after 3 minutes later when power off, so as to avoid burns.
- Dismantling and refit are forbidden
- Installation on inflammables is forbidden.

If the external flexible cable or cord of this luminaire is damaged, it shall be exclusively replaced by the manufacturer or his service agent or a similar qualified person in order to avoid a hazard.

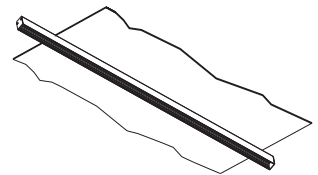
1. After installing tracks in the ceiling



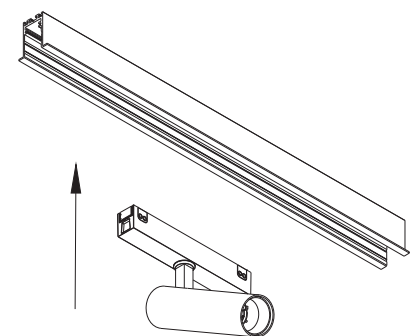
Rimless track



Recessed track



Surface track



2. Attach XLMTS
by pushing the lamp into the track