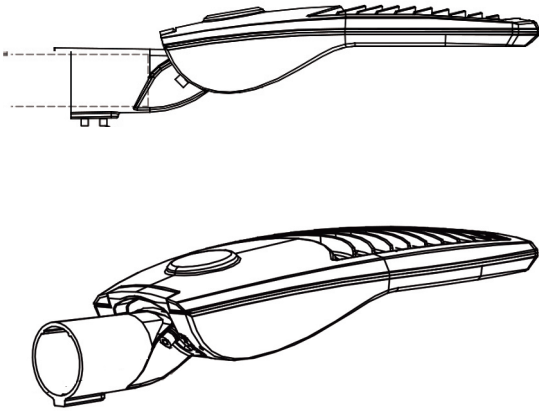


# XL marlin Lighting

Exterior Street Light ( OLS10200W ) Installation Instruction

The user: thank you for your purchase use this product, read this instruction manual before usage

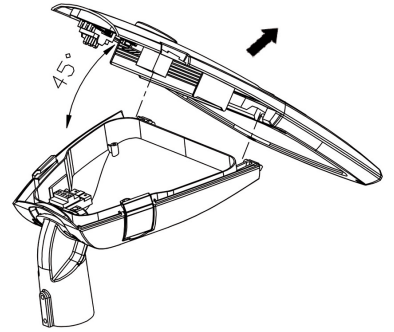
1. Model: OLS10200W
2. Rated Voltage: AC 100~240V
3. Rated Power : 200W
4. IP Grade: IP66
5. Insulation protection level: Class III
6. Operating Temperature: -35~50°C°



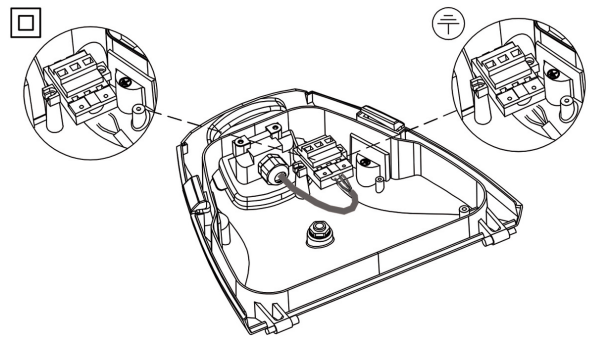
- Always disconnect the power supply before installing or performing any maintenance operations.
- Installation should be carried out by a suitably qualified person in accordance with good electrical practice and the appropriate national wiring regulations.
- These luminaires are widely used in commercial lighting, home decoration lighting, art gallery and museums.
- Only can be touched after 3 minutes later when power off, so as to avoid burns.
- Dismantling and refit are forbidden
- Installation on inflammables is forbidden.

If the external flexible cable or cord of this luminaire is damaged, it shall be exclusively replaced by the manufacturer or his service agent or a similar qualified person in order to avoid a hazard.

## 1. OPEN COVER

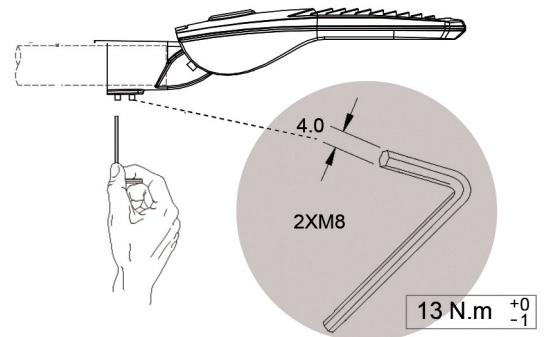


- ## 2. CONNECT THE CABLE .
- Live line for L terminal,  
Null line for N terminal,  
Ground line for E terminal.



## 3. FIX STREET LIGHTS TO POLE

Make sure the screws be fixed tightly.



- ## 4. CONNECT THE POWER SUPPLY , light up the lamp.

The light source of this luminaire is not replaceable; when the source reaches its end of life the whole luminaire shall be replaced

Welcome you again to buy our products