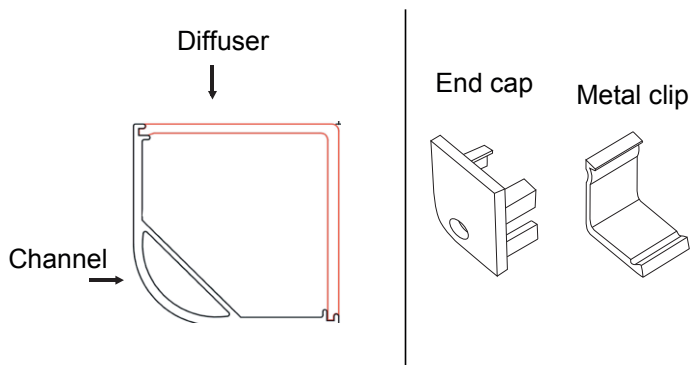
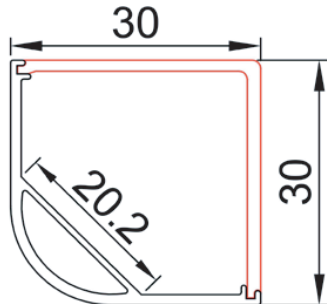


XL marlin Lighting

Strip Lights Corner Mounting Channel (XLP015RX) Installation Instruction

The user: thank you for your purchase use this product, read this instruction manual before usage

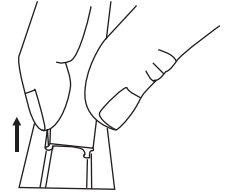
Model: XLP015RX



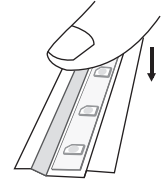
- Always disconnect the power supply before installing or performing any maintenance operations.
- Installation should be carried out by a suitably qualified person in accordance with good electrical practice and the appropriate national wiring regulations.
- These luminaires are widely used in commercial lighting, home decoration lighting, art gallery and museums.
- Only can be touched after 3 minutes later when power off, so as to avoid burns.
- Dismantling and refit are forbidden
- Installation on inflammables is forbidden.

If the external flexible cable or cord of this luminaire is damaged, it shall be exclusively replaced by the manufacturer or his service agent or a similar qualified person in order to avoid a hazard.

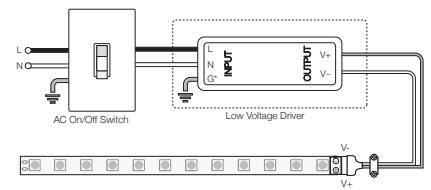
1. REMOVE THE DIFFUSER



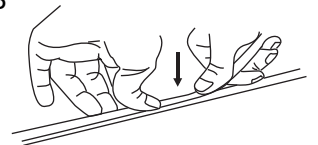
2. APPLYING THE STRIP LIGHT TO THE SURFACE.



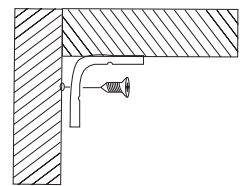
3. CONNECT THE STRIP LIGHT TO ITS DRIVER THEN CONNECT THE DRIVER TO THE POWER SUPPLY



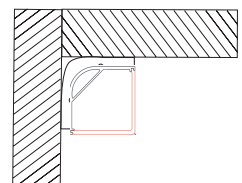
4. PRESS THE DIFFUSER BACK AND INSTALL THE END CAP



5. FIX THE METAL CLIP



6. PRESS THE CHANNEL INTO THE METAL CLIP



7. CONNECT THE POWER SUPPLY, light up the lamp.