

Model: XLMFL230W



General Data

Power	230 W
LED type	Osram
Luminous flux	26500-29900 lm
CCT	3000K or 4000K as standard. Different CCT upon request.
CRI	80+
Beam angle	25°/60°/90°/110° or Asymmetric 130°x60°
Dimension	324x275x320mm
Cut out dia.	/
Weight (kgs)	6.7 kgs
Lamp Life	50000 hrs
SDCM	≤5
Ambient Temp.	-20~50°C
RAL Color	80+
Oper. Temp.	/
Certifications	CE, RoHS

Construction Data

IP rating	66 waterproof
Housing	Die-cast Aluminum
Protection finishing	AkzoNobel Powder-coated black colour finish
Glass	Tempered glass diffuser
Loading capacity	/
Cable Gland	IP66
Gasket	Silicone rubber gasket

Electrical Data

Input voltage	AC100-240V
Cable	Cable gland for waterproof IP65

Accessories

Bracket	Angle Bracket
Clip	/

APPLICATIONS

Suitable for Warehouses, Workshops, Gymnasiums, Gas Stations, Toll Stations, Supermarkets, Exhibition halls and, many other Industrial and commercial lighting applications.

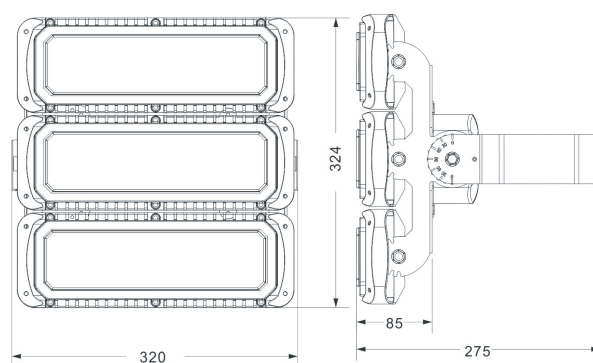
PRODUCT DESCRIPTION

LED Modular floodlight, 5 years warranty, Philips Lumileds LED, Meanwell Driver, Diecast Aluminum body with Stainless steel screws 304/316, corrosion resistance. Multiple optical lens options. Available in multiple dimming options such as Dali, PWM, and 1-10V Dimming

FIXTURE CONSTRUCTION

Die-cast Aluminum body in AkzoNobel Powder-coated black colour finish, Available in other colours, Die-cast aluminum heat sink.

Dimension Drawing

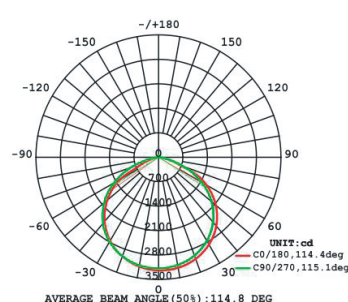


Lamp Options

Part Number	CCT	Beam angle
XLMFL230W325	3000 K	25°
XLMFL230W425	4000 K	25°
XLMFL230W360	3000 K	60°
XLMFL230W460	4000 K	60°
XLMFL230W390	3000 K	90°
XLMFL230W490	4000 K	90°
XLMFL230W3110	3000 K	110°
XLMFL230W4110	4000 K	110°
XLMFL230W3130	3000 K	130°x60°
XLMFL230W4130	4000 K	130°x60°

Photometric Data

Light Distribution Curve



Lux distance Curve

