

Model: OLUWF18W



General Data

Power	18W
LED type	6x3W OSRAM
Luminous flux	1846 lm
CCT	3000K or 4000K as standard. Different CCT upon request.
CRI	80+
Beam angle	20° 35° 60°
Dimension	Ø180x 77mm
Cut out dia.	Ø270x171mm
Lamp Life	50000 hrs
SDCM	≤5
Water Stopper	1.1m+
Oper. Temp.	-20°C~40°C
Certifications	CE, RoHS

Construction Data

IP rating	IP68 Waterproof
IK rating	IK08
Housing	Hard chromeplated molding shaped stainless steel SUS 316#
Trim	Stainless steel SUS 316#
Glass	Step tempered glass. T=8mm
Reflector	All-in-one OPTICS lens, efficiency ≥85%
Cable Gland	IP68 PG-11 copper with nickel-coated
Gasket	Silicone Gasket

Electrical Data

Input voltage	DC24V
Dimmable Support	Triac PWM Available 1-10V Dali
Cable	H07RN-F 2x1.0mm ² with water-stopper, L=1m, 3m, 5m

Accessories

Mounting Sleeve ABS ALLOYS, with 304 stainless steel bottom plate

Driver: Constant Voltage Output

Driver Code	Watt	IP rate	Fixtures Qty	Warranty
MW- LPV-20-24	20 W	IP 67	max 1	2 years
MW- NPF-40-24	40 W	IP 67	min 1 - max 2	5 years
MW- XLG-75-24	75 W	IP 67	min 1 - max 3	5 years
MW- ELG-75-24	75 W	IP 67	min 1 - max 3	5 years

- Driver to be order separately

.Cable distance should be taken into consideration -

APPLICATIONS

Deep Glow underwater lighting creates a family-friendly setting to enrich the night view with a glowing light that goes beyond the water's edge creating a virtual aquarium that everyone can appreciate.

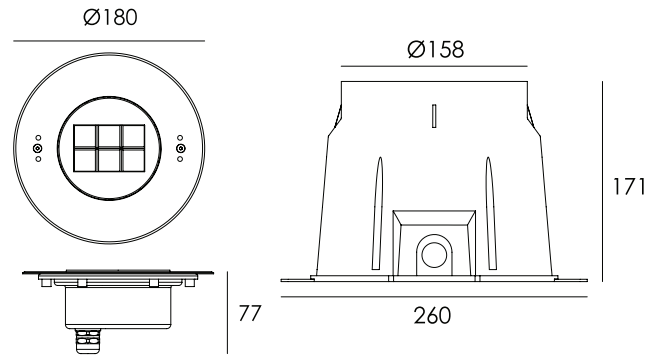
PRODUCT DESCRIPTION

Recessed underwater luminaire for wet area installations, Stainless steel 316 Housing body, tempered glass diffuser, stainless steel housing trim. Remote driver needed, Low power OSRAM LED, IP68

FIXTURE CONSTRUCTION

Hard chromeplated molding shaped stainless steel 316 housing and trim, Step tempered Glass. T=08mm, Low voltage constant current output, excluding the transformer, silicone seal gasket and cable gland for waterproof IP68, with 1PC rubber cable H07RN-F 2x1.0mm² with water-stopper.

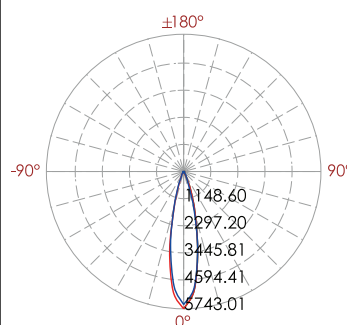
Dimension Drawing



Lamp Options

Part Number	CCT	Beam angle
OLUWF18WC3B25	3000 K	20°
OLUWF18WC4B25	4000 K	20°
OLUWF18WC3B35	3000 K	35°
OLUWF18WC4B35	4000 K	35°
OLUWF18WC3B50	3000 K	50°
OLUWF18WC4B50	4000 K	50°

Photometric Data



Lux distance cure

	Illuminance at a distance		Beam width	
	Center beam LUX	Beam width V	H	H
2m	1435.75 LUX	0.8m	0.8m	
4m	358.94 LUX	1.7m	1.6m	
6m	159.53 LUX	2.5m	2.4m	
8m	89.73 LUX	3.3m	3.2m	
10m	57.43 LUX	4.2m	4.0m	
12m	39.88 LUX	5.0m	4.8m	

Ver.Spread: 23.6 Horiz.Spread: 22.7