

Model: XLFL72W



**General Data**

|              |                      |
|--------------|----------------------|
| Light Source | 112XSMD2835          |
| System Watts | 72W-75W              |
| Lumens       | 7,800lm-9,300lm      |
| Lamp Life    | 50000 hrs            |
| CRI          | >80 Ra               |
| Beam Angle   | 120°                 |
| IP Rating    | IP 66                |
| Weight (Kgs) | 4.8 Kgs              |
| Voltage      | 100-240VAC           |
| CCT          | 3000/4000/5000/5700K |
| Oper. temp.  | -20 to +50 °C        |
| Dimension    | 372x265x75mm         |

**Construction Data**

|             |                           |
|-------------|---------------------------|
| IP rating   | 66 waterproof             |
| Housing     | Aluminum die-casting body |
| Bracket     | Aluminum                  |
| Glass       | Tempered glass diffuser   |
| Screws,     | Stainless steel           |
| Cable Gland | IP66                      |
| Gasket      | Silicone rubber gasket    |

**Electrical Data**

|               |                                 |
|---------------|---------------------------------|
| Input voltage | 100-240VAC                      |
| Cable         | Cable gland for waterproof IP65 |

**Accessories**

|         |               |
|---------|---------------|
| Bracket | Angle Bracket |
| Clip    | /             |

**APPLICATIONS**

Suitable For general lighting indoors or outdoors, commercial and residential applications. Like car parks, stores, industrial plant.

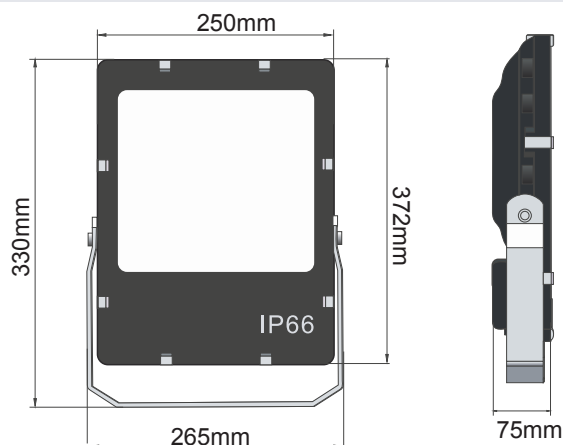
**PRODUCT DESCRIPTION**

System efficiency up to 130lm/W, 33000/4000/5000/5700K color temperature options, Long lifetime over 50,000 hrs, Meanwell driver optional.

**FIXTURE CONSTRUCTION**

Aluminum die-casting body, aluminum bracket and stainless steel screws, good corrosion resistance

**Dimension Drawing**



**Lamp Options**

| Part Number | CCT    |
|-------------|--------|
| XLFL72C3    | 3000 K |
| XLFL72C4    | 4000 K |
| XLFL72C5    | 5000 K |
| XLFL72C57   | 5700 K |

**Photometric Data**

Light Distribution Curve

