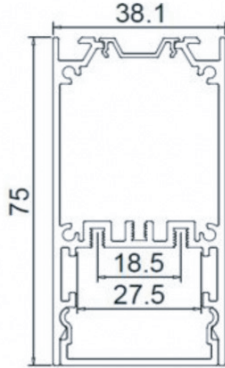


XL marlin Lighting

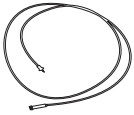
Linear Profile 38 (XLLS3875AB) Installation Instruction

The user: thank you for your purchase use this product, read this instruction manual before usage

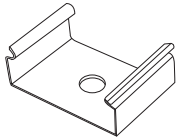
1. Model: XLLS3875AB
2. Rated Voltage: 180-240 V 50/60 Hz
4. IP Grade: IP44
5. Operating Temperature: -20 to +40



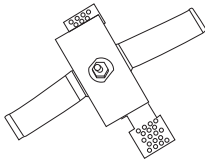
Steel Wire



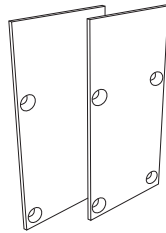
Mounting Clip



Recessed Installation clip



End cap

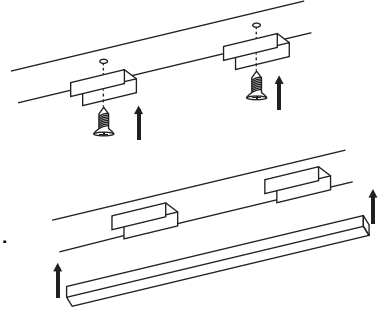


- Always disconnect the power supply before installing or performing any maintenance operations.
- Installation should be carried out by a suitably qualified person in accordance with good electrical practice and the appropriate national wiring regulations.
- These luminaires are widely used in commercial lighting, home decoration lighting, art gallery and museums.
- Only can be touched after 3 minutes later when power off, so as to avoid burns.
- Dismantling and refit are forbidden
- Installation on inflammables is forbidden.

If the external flexible cable or cord of this luminaire is damaged, it shall be exclusively replaced by the manufacturer or his service agent or a similar qualified person in order to avoid a hazard.

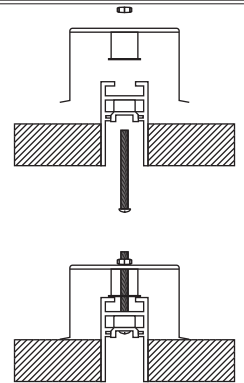
Surface Mounting Installation

1. FIX THE METAL CLIP
2. PRESS THE CHANNEL INTO THE METAL CLIP
3. CONNECT THE CABLE .
LIVE LINE FOR L TERMINAL,
NULL LINE FOR N TERMINAL,
GROUND LINE FOR E TERMINAL.



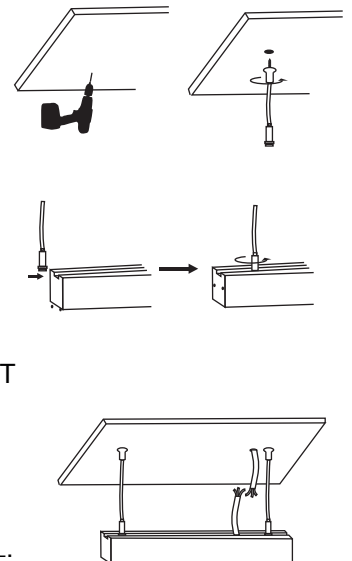
Recessed Mounting Installation

1. PLACE THE LINEAR IN DESIRED PLACE
2. ATTACH THE RECESSED CLIP TO LINEART
3. FASTEN THE CLIP NUT
4. CONNECT THE CABLE .
LIVE LINE FOR L TERMINAL,
NULL LINE FOR N TERMINAL,
GROUND LINE FOR E TERMINAL.



Pendent Mounting Installation

1. DRILL HOLES IN THE CEILING FOR LIFTING WIRE
2. FIX LIFTING WIRE INTO CEILING
3. SLIDE THE NUT FROM THE END OF LIFTING WIRE INTO THE TRACK OF THE PROFILE AND FASTEN IT
4. CONNECT THE CABLE .
LIVE LINE FOR L TERMINAL,
NULL LINE FOR N TERMINAL,
GROUND LINE FOR E TERMINAL.



The light source of this luminaire is not replaceable; when the source reaches its end of life the whole luminaire shall be replaced

Welcome you again to buy our products