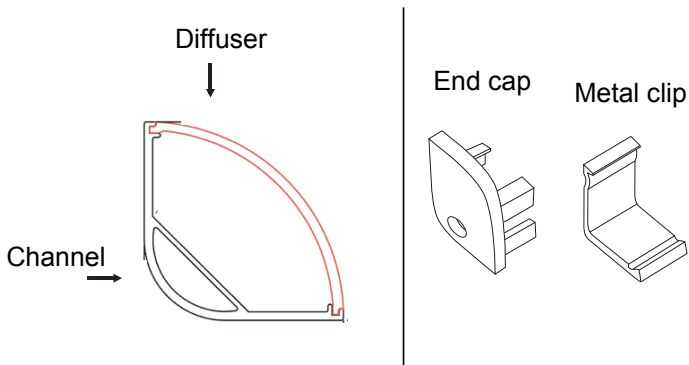
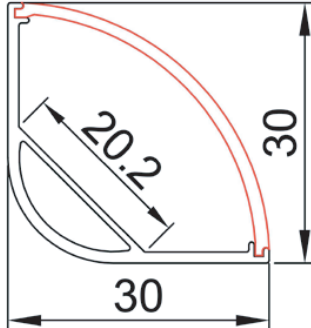


# XL marlin Lighting

## Strip Lights Corner Mounting Channel ( XLP016RX ) Installation Instruction

The user: thank you for your purchase use this product, read this instruction manual before usage

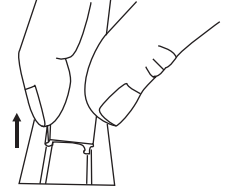
Model: XLP016RX



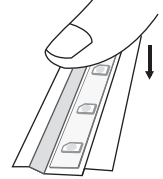
- Always disconnect the power supply before installing or performing any maintenance operations.
- Installation should be carried out by a suitably qualified person in accordance with good electrical practice and the appropriate national wiring regulations.
- These luminaires are widely used in commercial lighting, home decoration lighting, art gallery and museums.
- Only can be touched after 3 minutes later when power off, so as to avoid burns.
- Dismantling and refit are forbidden
- Installation on inflammables is forbidden.

If the external flexible cable or cord of this luminaire is damaged, it shall be exclusively replaced by the manufacturer or his service agent or a similar qualified person in order to avoid a hazard.

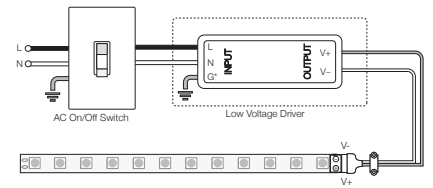
### 1. REMOVE THE DIFFUSER



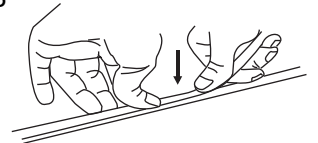
### 2. APPLYING THE STRIP LIGHT TO THE SURFACE.



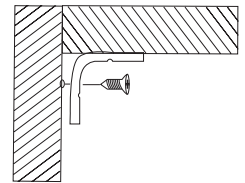
### 3. CONNECT THE STRIP LIGHT TO ITS DRIVER THEN CONNECT THE DRIVER TO THE POWER SUPPLY



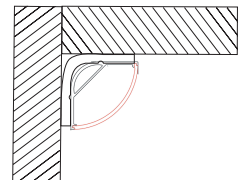
### 4. PRESS THE DIFFUSER BACK AND INSTALL THE END CAP



### 5. FIX THE METAL CLIP



### 6. PRESS THE CHANNEL INTO THE METAL CLIP



### 7. CONNECT THE POWER SUPPLY, light up the lamp.