

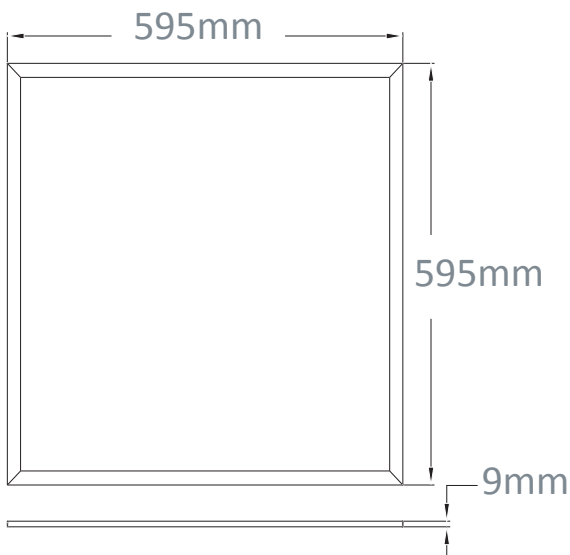
**Model: XL65PNO50E**



**General Data**

LED Type	SMD2835
Watts	50 W
Lumens	5000lm
Lamp Life	50000 hrs
CRI	>80 Ra
Beam Angle	120°
IP Rating	IP65
Weight	3.4 Kgs
Voltage	220-240V
Dimming	1-10 V / DALI
CCT	3000K/4000K/6000K
Opr. Temp.	-20 to +40
Dime. mm	595x595x9

**Dimension Drawing**



**APPLICATIONS**

Ideal for indoor general lighting for commercial and residential applications such as schools, meeting rooms, offices, hospitals, supermarket, hypermarkets, warehouses.

**PRODUCT DESCRIPTION**

Slim design recessed or surface mounted high output LED panels with white aluminum frame and remote driver, the panel comes with opal diffuser, IP65.

**FIXTURE CONSTRUCTION**

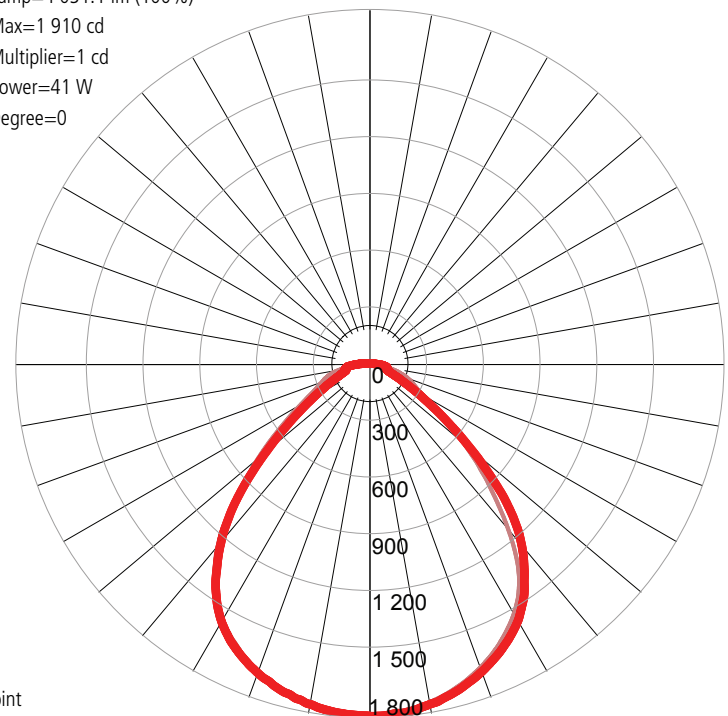
Aluminum body with opal diffuser, with remote non dimmable, dimmable, or Dali driver, excellent rendering above CRI>80, IP65.

**Lamp Options**

Part Number	CCT
XL65PNO50EC3	3000 K
XL65PNO50EC4	4000 K
XL65PNO50EC6	6000 K

**Photometric Data**

Lamp=4 031.1 lm (100%)  
Max=1 910 cd  
Multiplier=1 cd  
Power=41 W  
Degree=0



Point  
Manufacturer: 0  
Luminaire catalog: 595x595-6000K  
Luminaire: 1