

TR70 3 Circuits adaptor

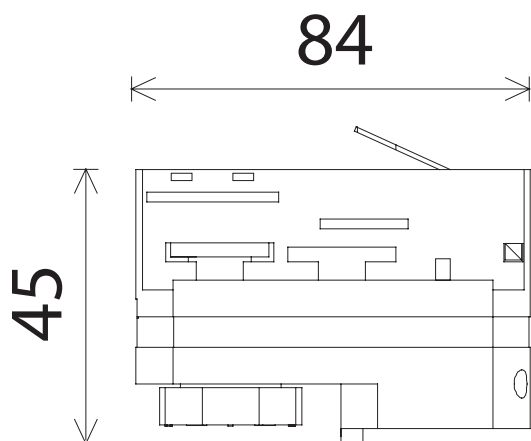


General Data

Lamp Power	16 A
Length	/
Track Color	White ,Silver, Black
IP Rating	IP20
Input voltage	AC 230/240V

Ordering Options

Part Number	Trim color
TR70WH	White
TR70SL	Silver
TR70BL	Black



APPLICATIONS

Used with spot lights for highlighting or general lighting in retail, commercial and Residential.

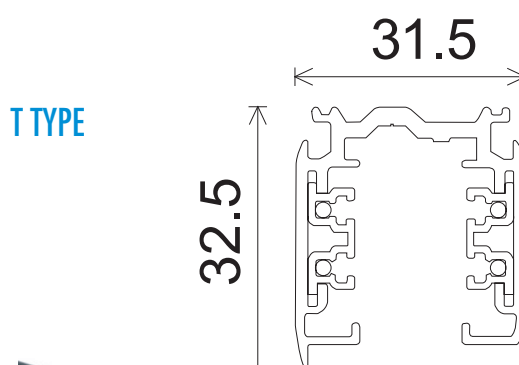
PRODUCT DESCRIPTION

3 circuits adaptor for Three circuit track type T & TR Accessory; surface mounting and recessed version comes in white, black and silver colours. Easy installation, moving or removal.

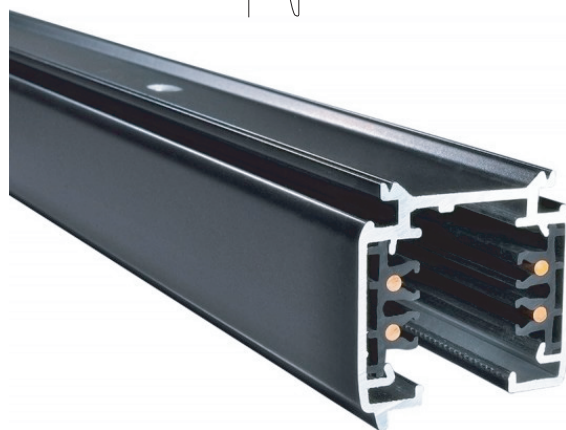
FIXTURE CONSTRUCTION

Extruded low profile rigid PC, with two copper 3mm conductors, comes in white black or silver

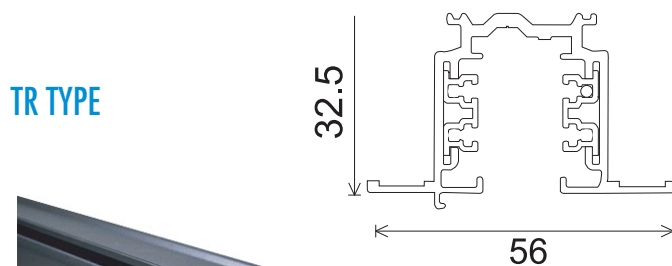
This Accessory for T/TR Tracks



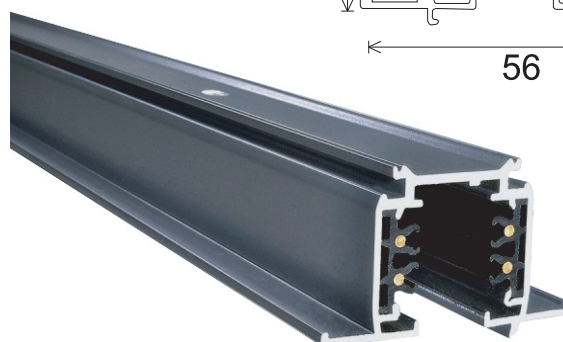
T TYPE



⌘



TR TYPE



TR71 3 Circuits adaptor

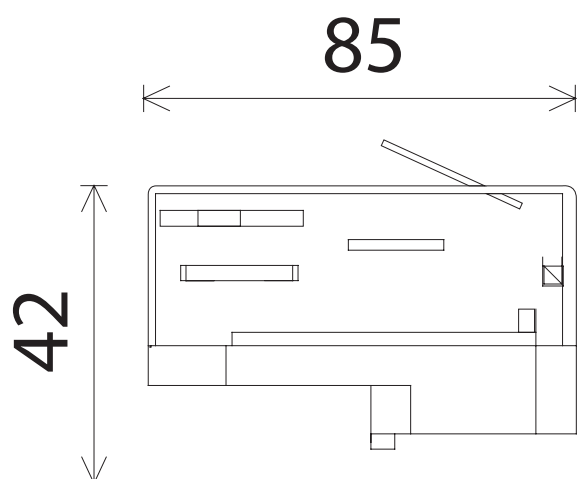


General Data

Lamp Power	16 A
Length	/
Track Color	White ,Silver, Black
IP Rating	IP20
Input voltage	AC 230/240V

Ordering Options

Part Number	Trim color
TR71WH	White
TR71SL	Silver
TR71BL	Black



APPLICATIONS

Used with spot lights for highlighting or general lighting in retail, commercial and Residential.

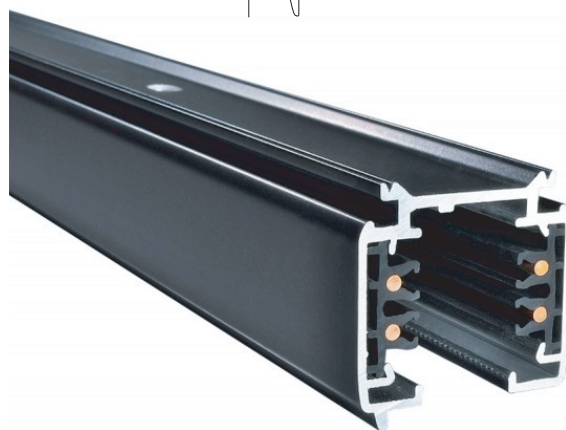
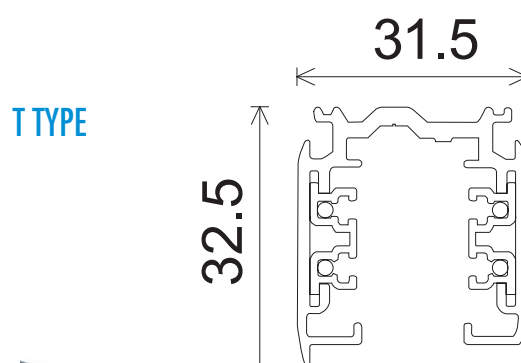
PRODUCT DESCRIPTION

3 circuits adaptor for Three circuit track type T & TR Accessory; surface mounting and recessed version comes in white, black and silver colours. Easy installation, moving or removal.

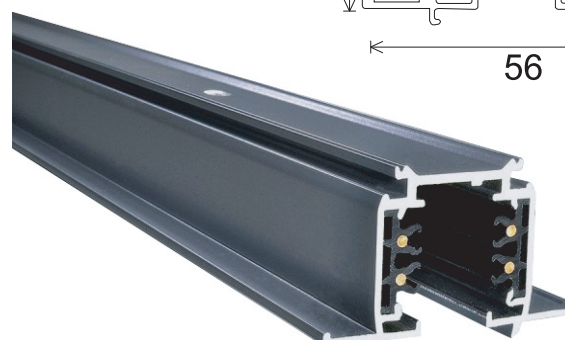
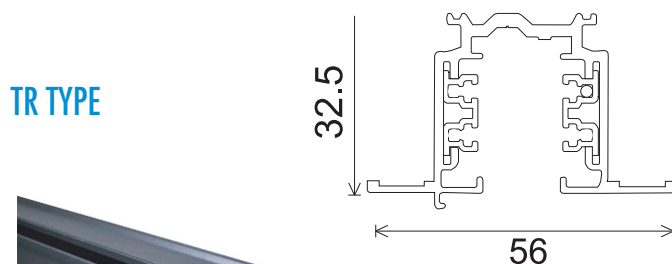
FIXTURE CONSTRUCTION

Extruded low profile rigid PC, with two copper 3mm conductors, comes in white black or silver

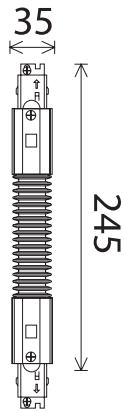
This Accessory for T/TR Tracks



⌘



TR25 3 Circuits Flexible Connector



General Data

Lamp Power	16 A
Lenght	/
Track Color	White ,Silver, Black
IP Rating	IP20
Input voltage	AC 230/240V

Ordering Options

Part Number	Trim color
TR25WH	White
TR25SL	Silver
TR25BL	Black

APPLICATIONS

Used with spot ligts for highlighting or general lighting in retail, commercial and Residential.

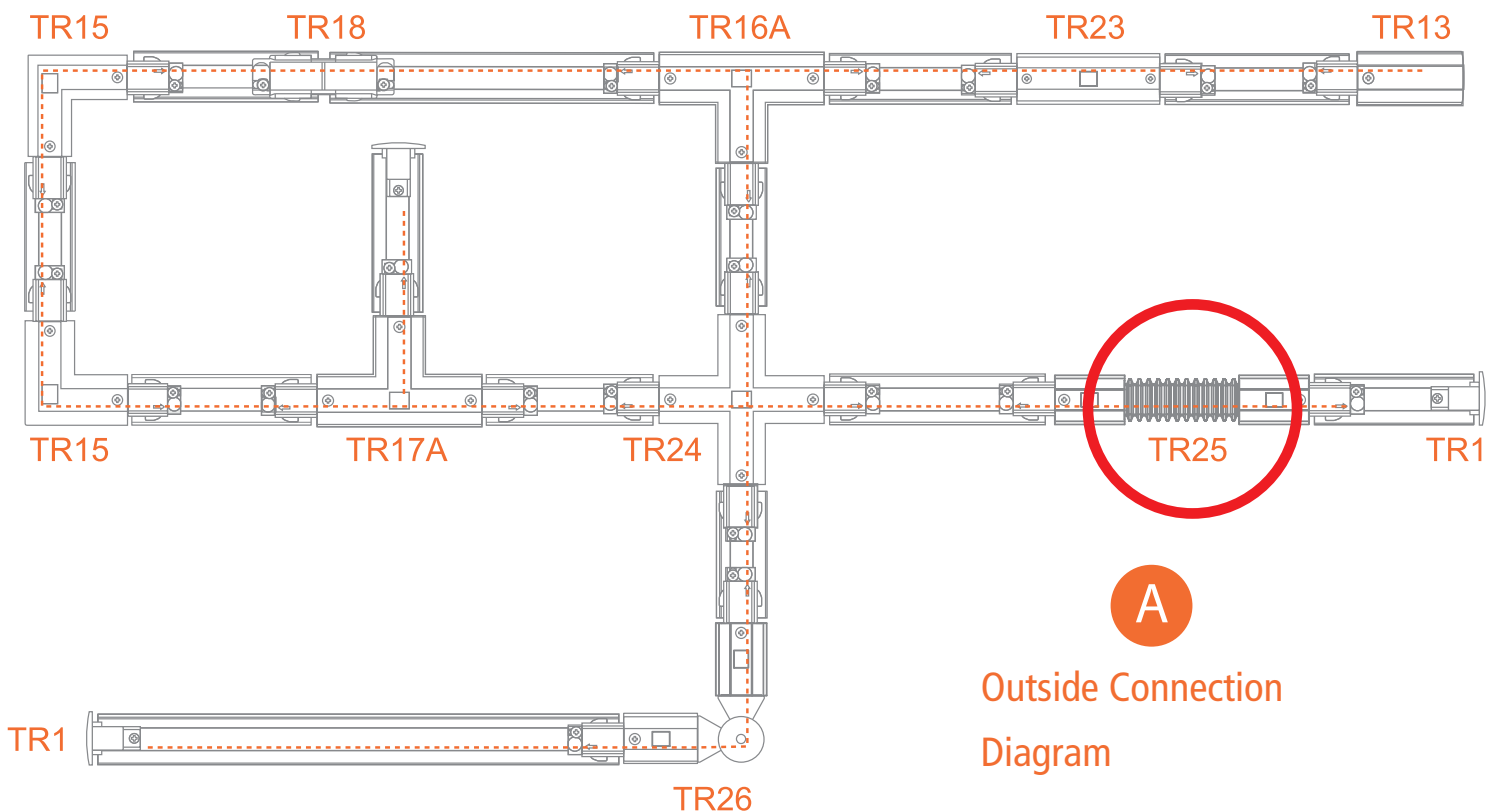
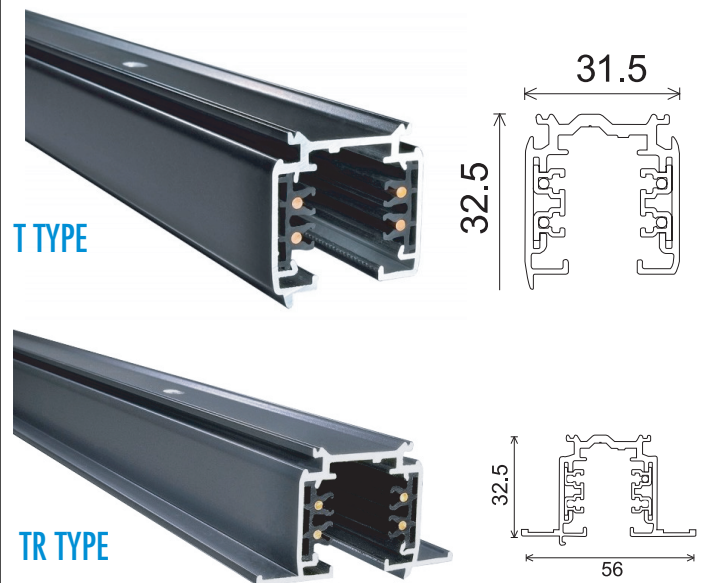
PRODUCT DESCRIPTION

Flexible connector to connect two track sections at any angle up to 90° or wall to ceiling or pitched ceiling applications for Three circuit track type T & TR Accessory; surface mounting and recessed version comes in white, black and silver colours. Easy installation, moving or removal.

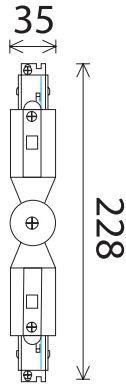
FIXTURE CONSTRUCTION

Extruded low profile rigid PC, with two copper 3mm conductors, comes in white ro balck or silver

This Accessory for T/TR Tracks



TR26 Adjustable Connector



General Data

Lamp Power	16 A
Lenght	/
Track Color	White ,Silver, Black
IP Rating	IP20
Input voltage	AC 230/240V

Ordering Options

Part Number	Trim color
TR26WH	White
TR26SL	Silver
TR26BL	Black

APPLICATIONS

Used with spot ligts for highlighting or general lighting in retail, commercial and Residential.

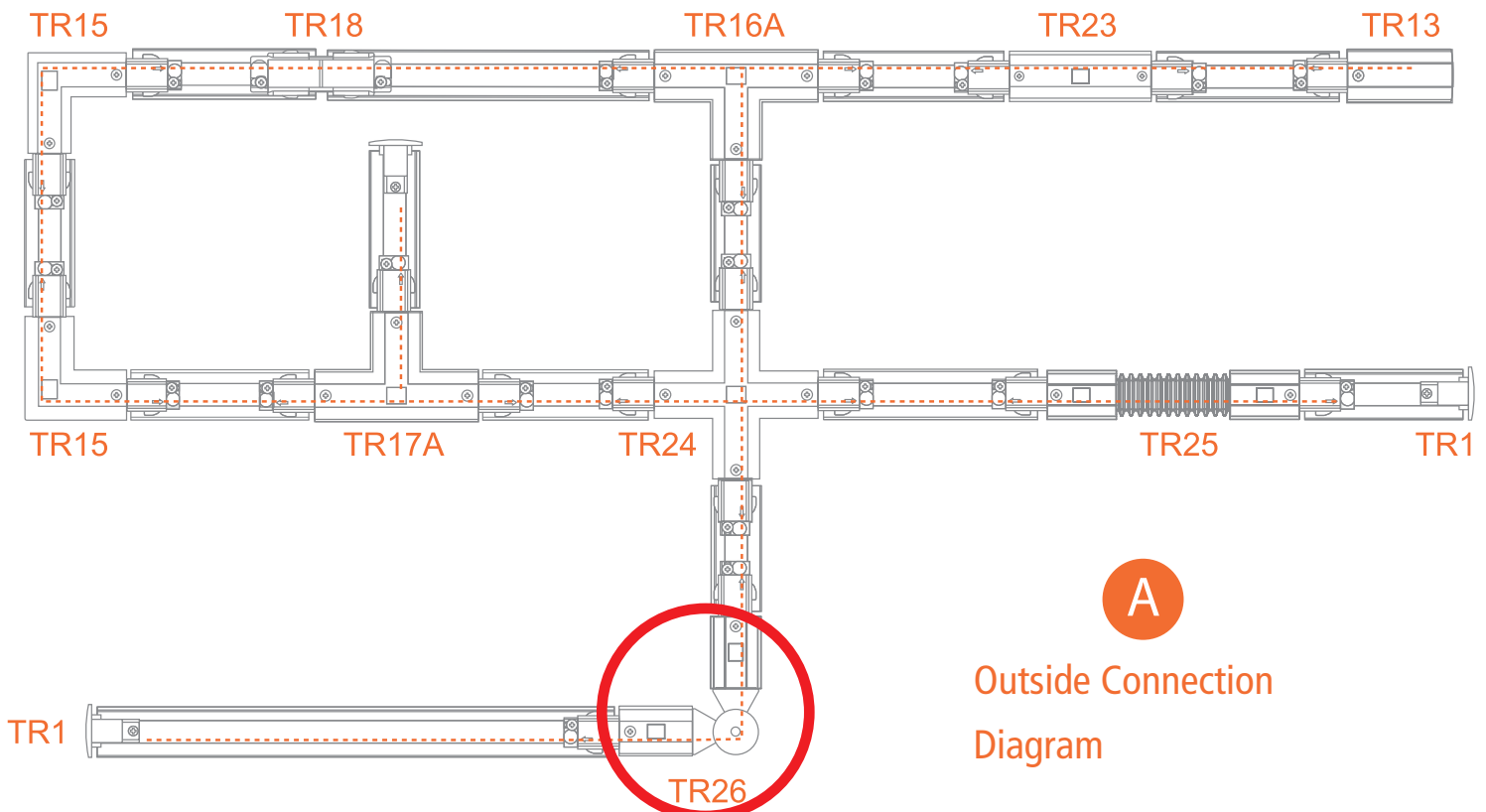
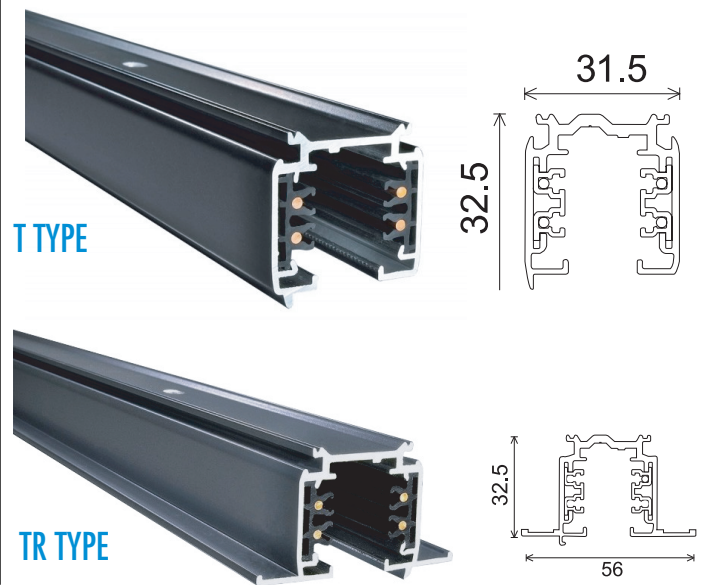
PRODUCT DESCRIPTION

Flexible connector to connect two track sections at any angle up to 90° or wall to ceiling or pitched ceiling applications for Three circuit track type T & TR Accessory; surface mounting and recessed version comes in white, black and silver colours. Easy installation, moving or removal.

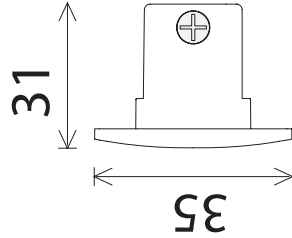
FIXTURE CONSTRUCTION

Extruded low profile rigid PC, with two copper 3mm conductors, comes in white ro balck or silver

This Accessory for T/TR Tracks



TR1 End Cap



General Data

Lamp Power	16 A
Lenght	/
Track Color	White ,Silver, Black
IP Rating	IP20
Input voltage	AC 230/240V

Ordering Options

Part Number	Trim color
TR1WH	White
TR1SL	Silver
TR1BL	Black

APPLICATIONS

Used with spot ligts for highlighting or general lighting in retail, commercial and Residential.

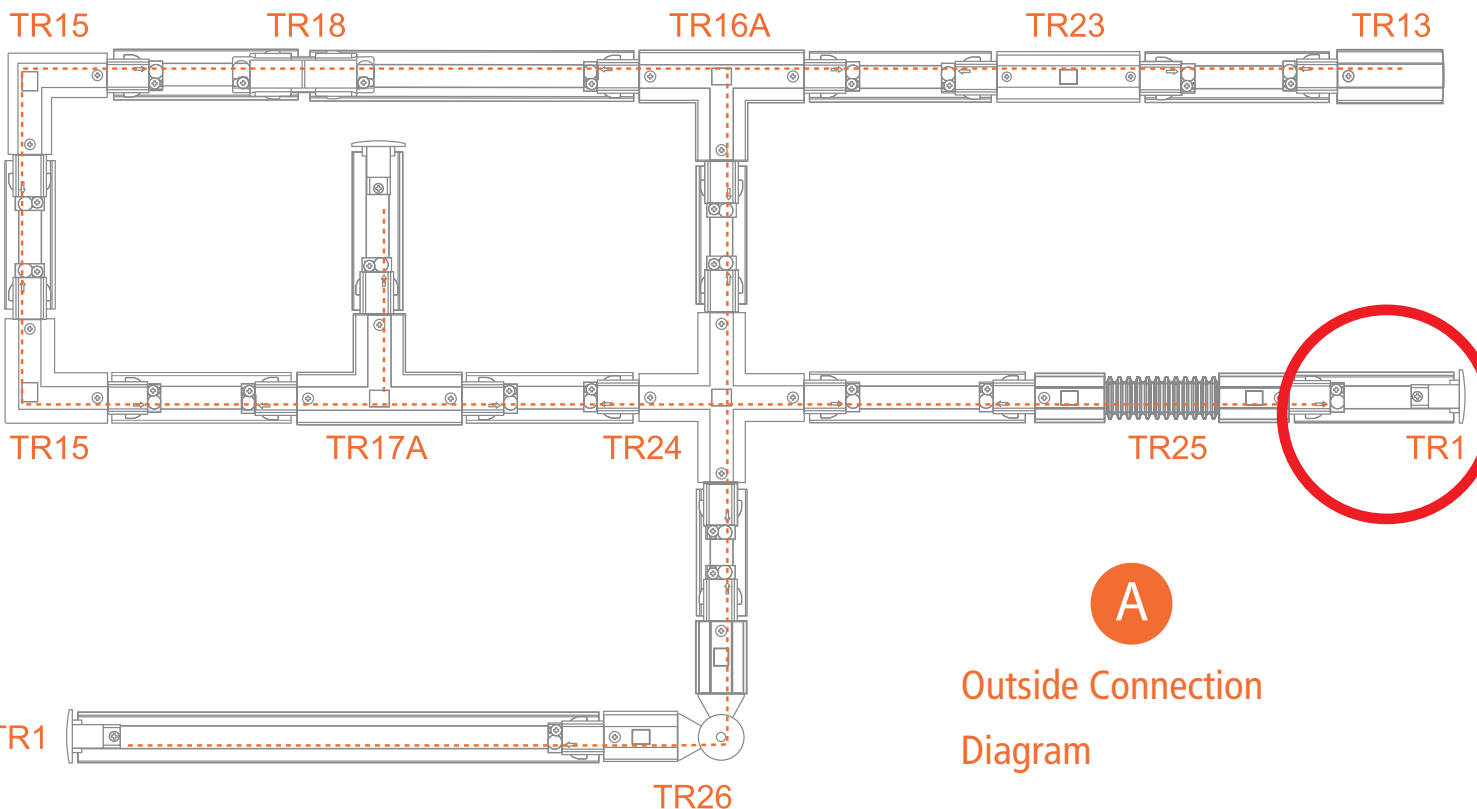
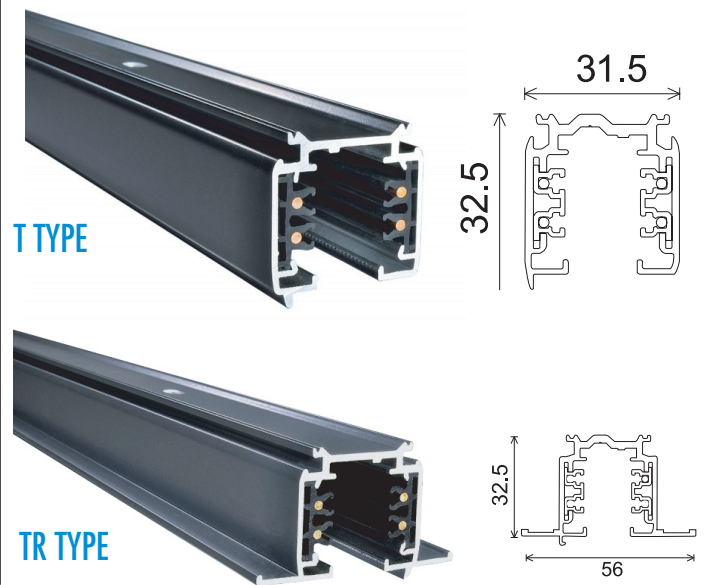
PRODUCT DESCRIPTION

End cap to the track section end for Three circuit track type T & TR Accessory; surface mounting and recessed version comes in white, black and silver colours. Easy installation, moving or removal.

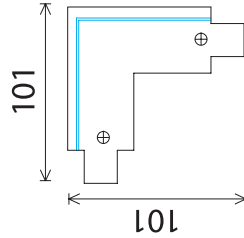
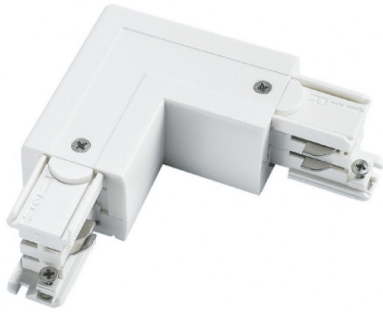
FIXTURE CONSTRUCTION

Extruded low profile rigid PC, with two copper 3mm conductors, comes in white ro balck or silver

This Accessory for T/TR Tracks



TR15 L Connector (Left)



General Data

Lamp Power	16 A
Lenght	/
Track Color	White ,Silver, Black
IP Rating	IP20
Input voltage	AC 230/240V

Ordering Options

Part Number	Trim color
TR15WH	White
TR15SL	Silver
TR15BL	Black

APPLICATIONS

Used with spot ligts for highlighting or general lighting in retail, commercial and Residential.

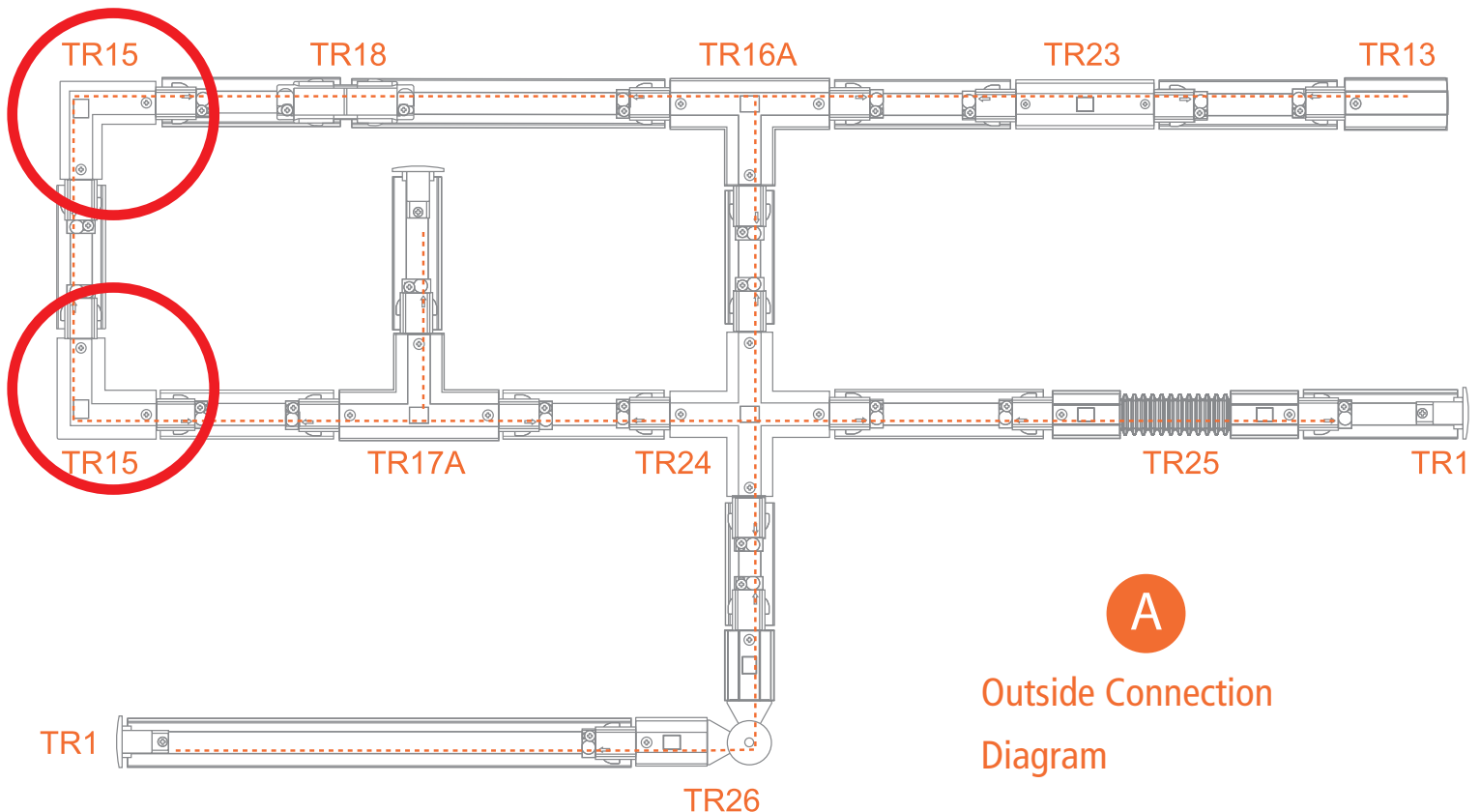
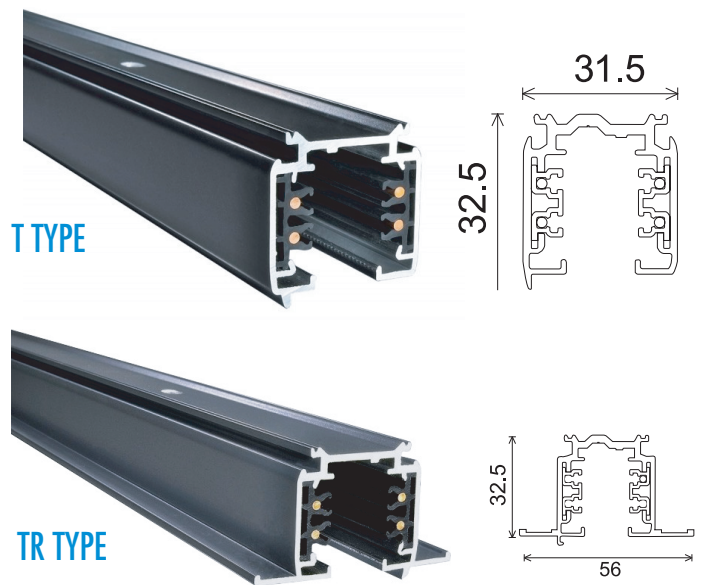
PRODUCT DESCRIPTION

"L" connector To Connect two track sections at a 90 ° angle for Three circuit track type T & TR Accessory; surface mounting and recessed version comes in white, black and silver colours. Easy installation, moving or removal.

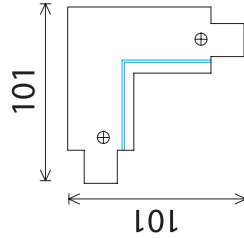
FIXTURE CONSTRUCTION

Extruded low profile rigid PC, with two copper 3mm conductors, comes in white ro balck or silver

This Accessory for T/TR Tracks



TR14 L Connector (Right)



APPLICATIONS

Used with spot lights for highlighting or general lighting in retail, commercial and Residential.

PRODUCT DESCRIPTION

"L" connector To Connect two track sections at a 90 ° angle for Three circuit track type T & TR Accessory; surface mounting and recessed version comes in white, black and silver colours. Easy installation, moving or removal.

FIXTURE CONSTRUCTION

Extruded low profile rigid PC, with two copper 3mm conductors, comes in white black or silver

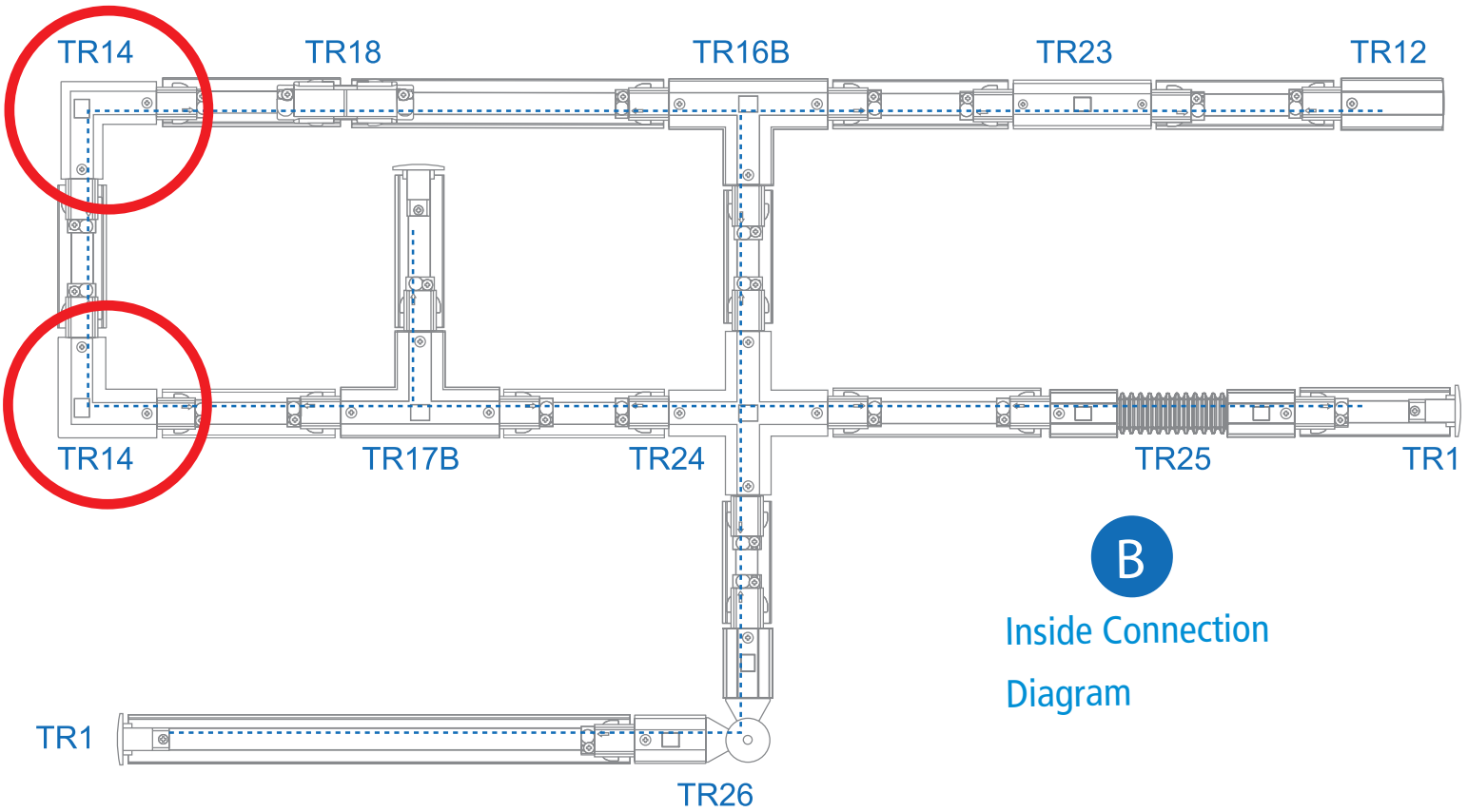
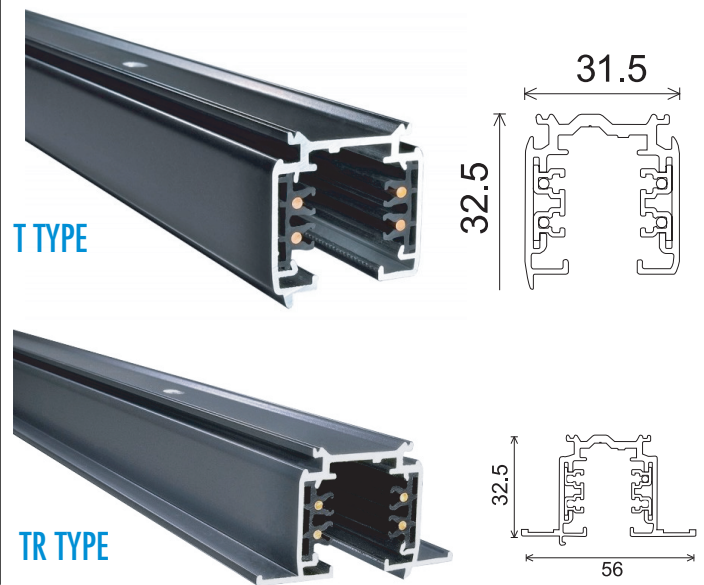
General Data

Lamp Power	16 A
Lenght	/
Track Color	White ,Silver, Black
IP Rating	IP20
Input voltage	AC 230/240V

Ordering Options

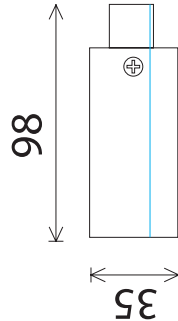
Part Number	Trim color
TR14WH	White
TR14SL	Silver
TR14BL	Black

This Accessory for T/TR Tracks



B
Inside Connection
Diagram

TR13 Live End (Right)



General Data

Lamp Power	16 A
Lenght	/
Track Color	White ,Silver, Black
IP Rating	IP20
Input voltage	AC 230/240V

Ordering Options

Part Number	Trim color
TR13WH	White
TR13SL	Silver
TR13BL	Black

APPLICATIONS

Used with spot ligts for highlighting or general lighting in retail, commercial and Residential.

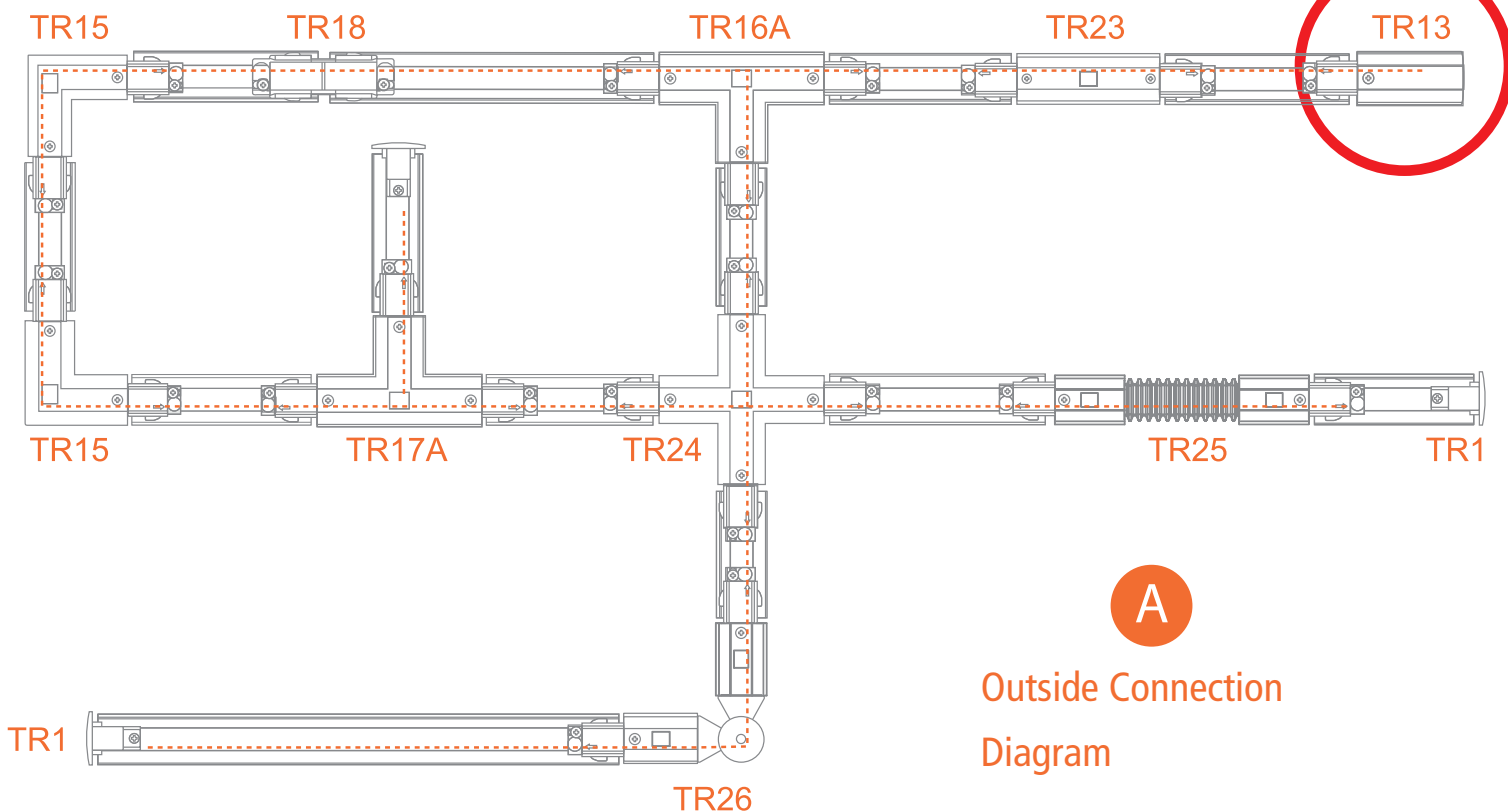
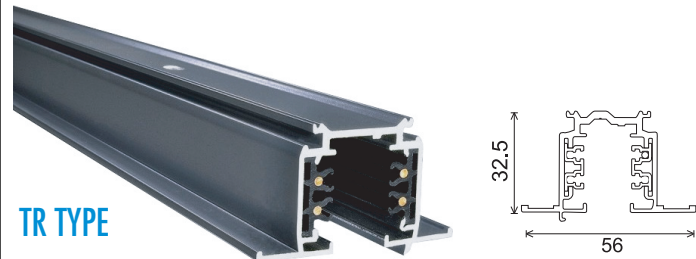
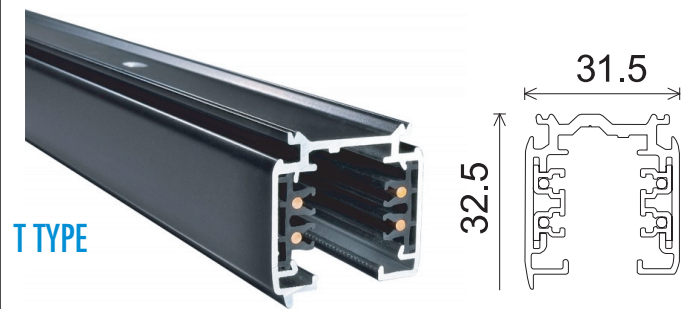
PRODUCT DESCRIPTION

Live-end connector for Three circuit track type T & TR Accessory; surface mounting and recessed version comes in white, black and silver colours. Easy installation, moving or removal.

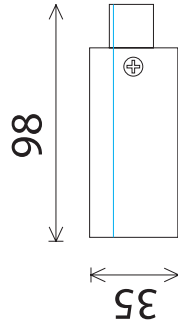
FIXTURE CONSTRUCTION

Extruded low profile rigid PC, with two copper 3mm conductors, comes in white ro balck or silver

This Accessory for T/TR Tracks



TR12 Live End (Right)



General Data

Lamp Power	16 A
Lenght	/
Track Color	White ,Silver, Black
IP Rating	IP20
Input voltage	AC 230/240V

Ordering Options

Part Number	Trim color
TR12WH	White
TR12SL	Silver
TR12BL	Black

APPLICATIONS

Used with spot ligts for highlighting or general lighting in retail, commercial and Residential.

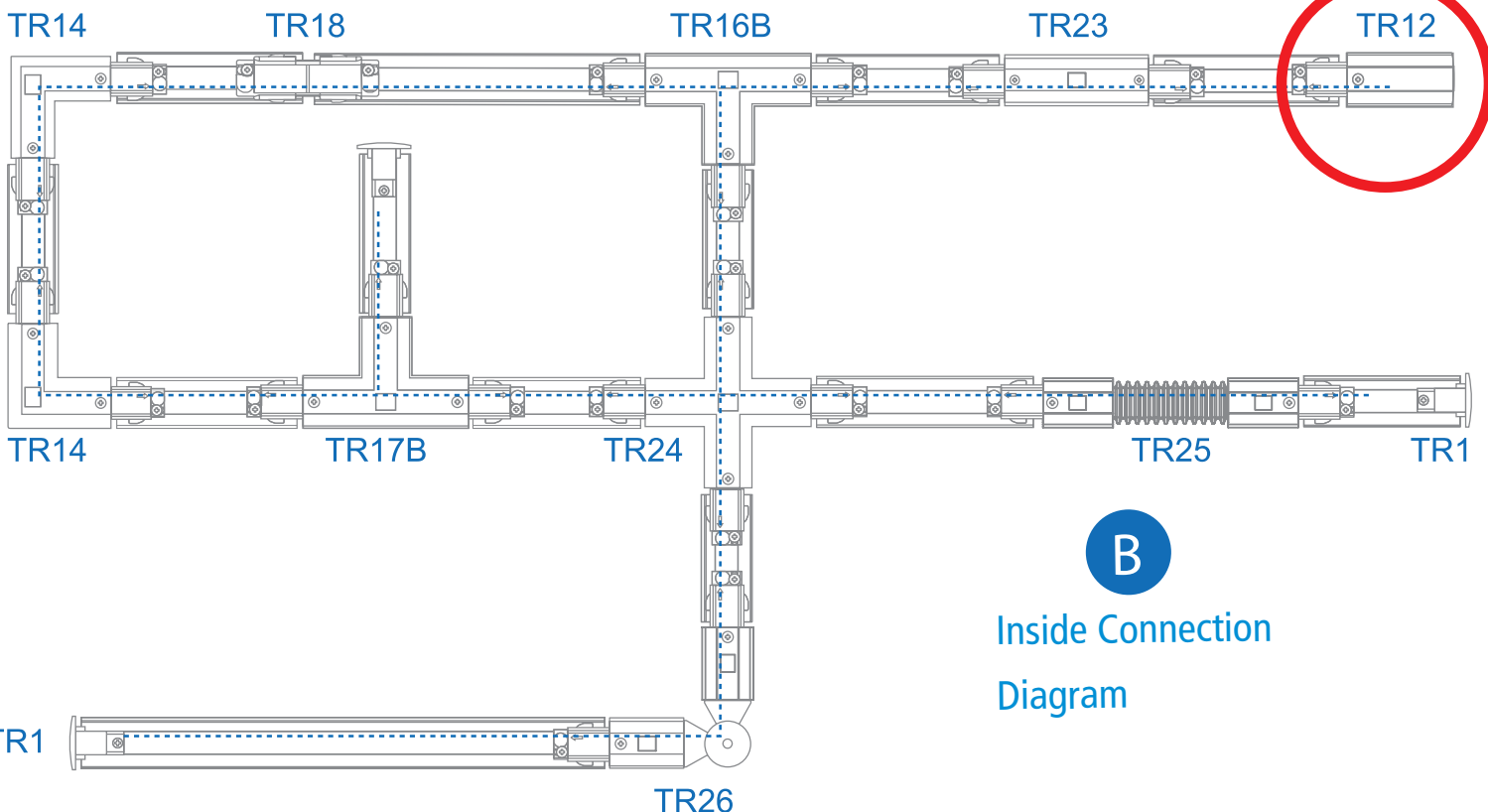
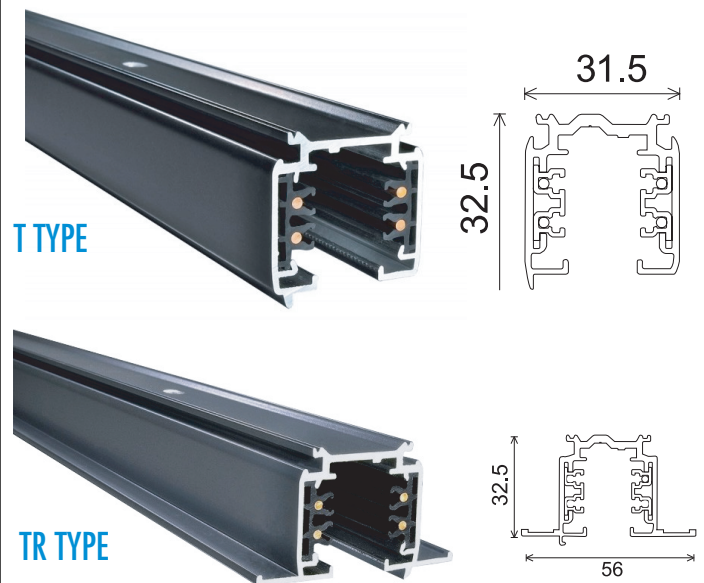
PRODUCT DESCRIPTION

Live-end connector for Three circuit track type T & TR Accessory; surface mounting and recessed version comes in white, black and silver colours. Easy installation, moving or removal.

FIXTURE CONSTRUCTION

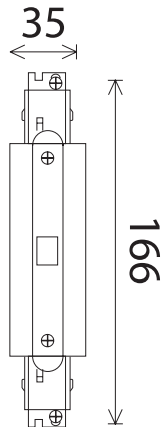
Extruded low profile rigid PC, with two copper 3mm conductors, comes in white or black or silver

This Accessory for T/TR Tracks



B
Inside Connection
Diagram

TR23 Middle Connector



General Data

Lamp Power	16 A
Lenght	/
Track Color	White ,Silver, Black
IP Rating	IP20
Input voltage	AC 230/240V

Ordering Options

Part Number	Trim color
TR23WH	White
TR23SL	Silver
TR23BL	Black

APPLICATIONS

Used with spot ligts for highlighting or general lighting in retail, commercial and Residential.

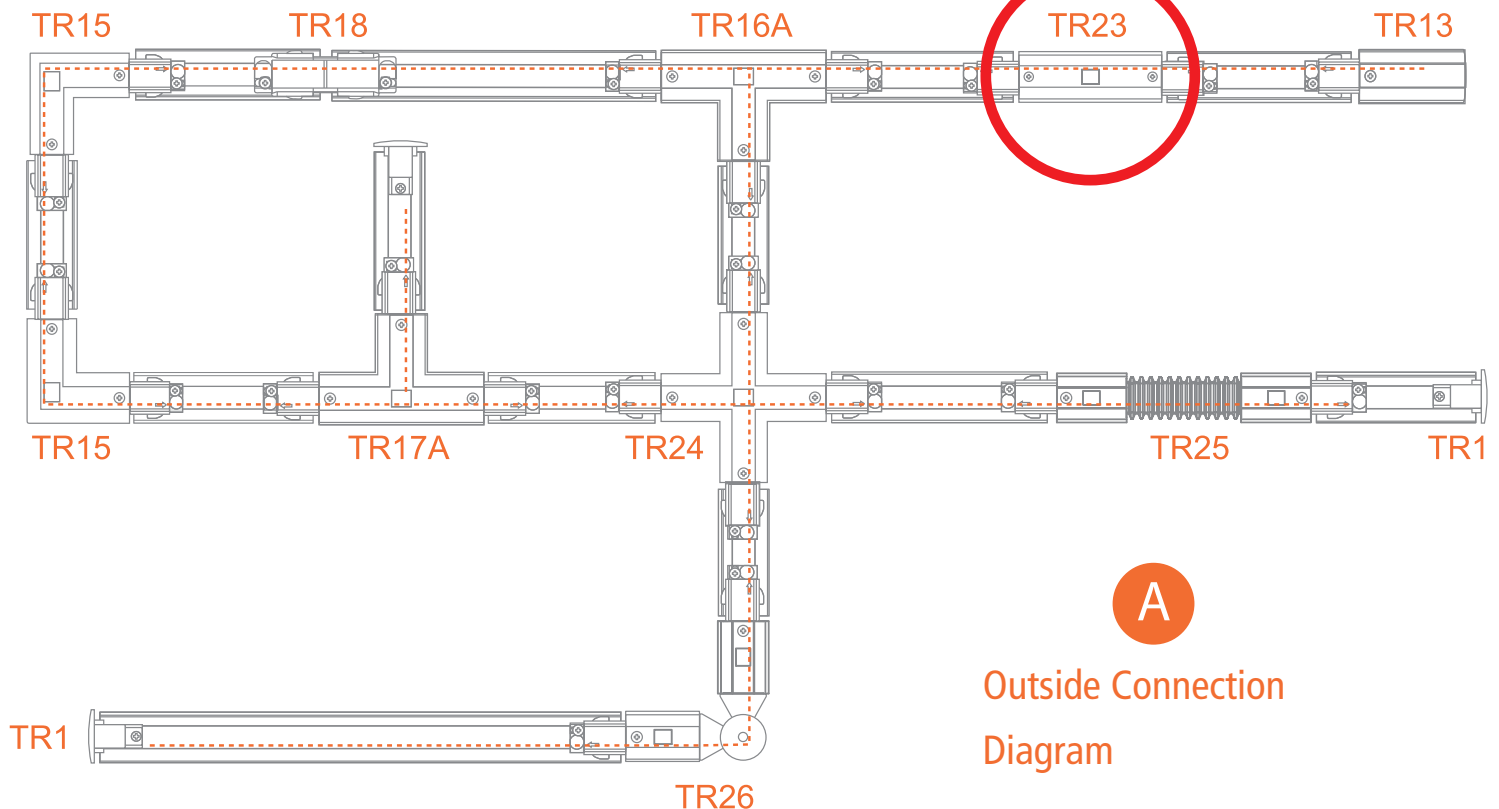
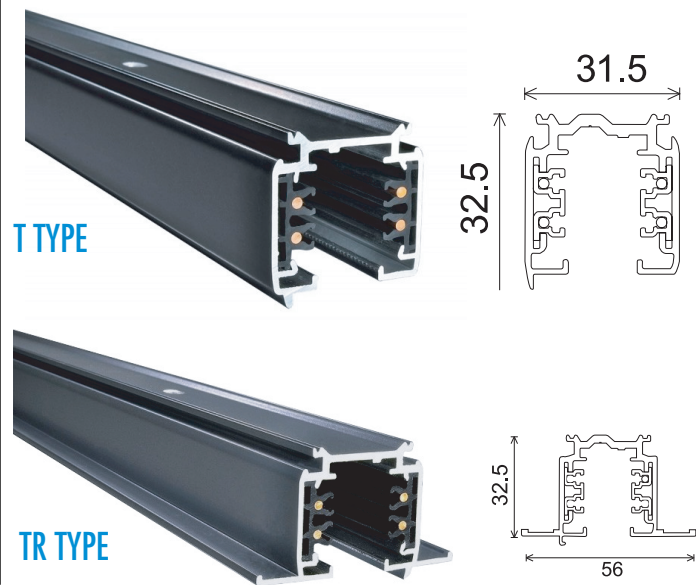
PRODUCT DESCRIPTION

Straight connector to connect two track sections end-to-end. It Provides a center feed option for Three circuit track type T & TR Accessory; surface mounting and recessed version comes in white, black and silver colours. Easy installation, moving or removal.

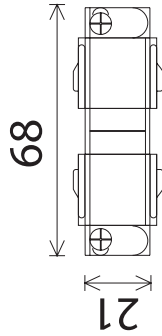
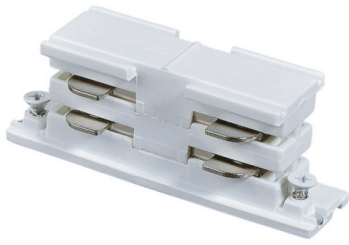
FIXTURE CONSTRUCTION

Extruded low profile rigid PC, with two copper 3mm conductors, comes in white ro balck or silver

This Accessory for T/TR Tracks



TR18 Mini Joiner



General Data

Lamp Power	16 A
Lenght	/
Track Color	White ,Silver, Black
IP Rating	IP20
Input voltage	AC 230/240V

Ordering Options

Part Number	Trim color
TR18WH	White
TR18SL	Silver
TR18BL	Black

APPLICATIONS

Used with spot ligts for highlighting or general lighting in retail, commercial and Residential.

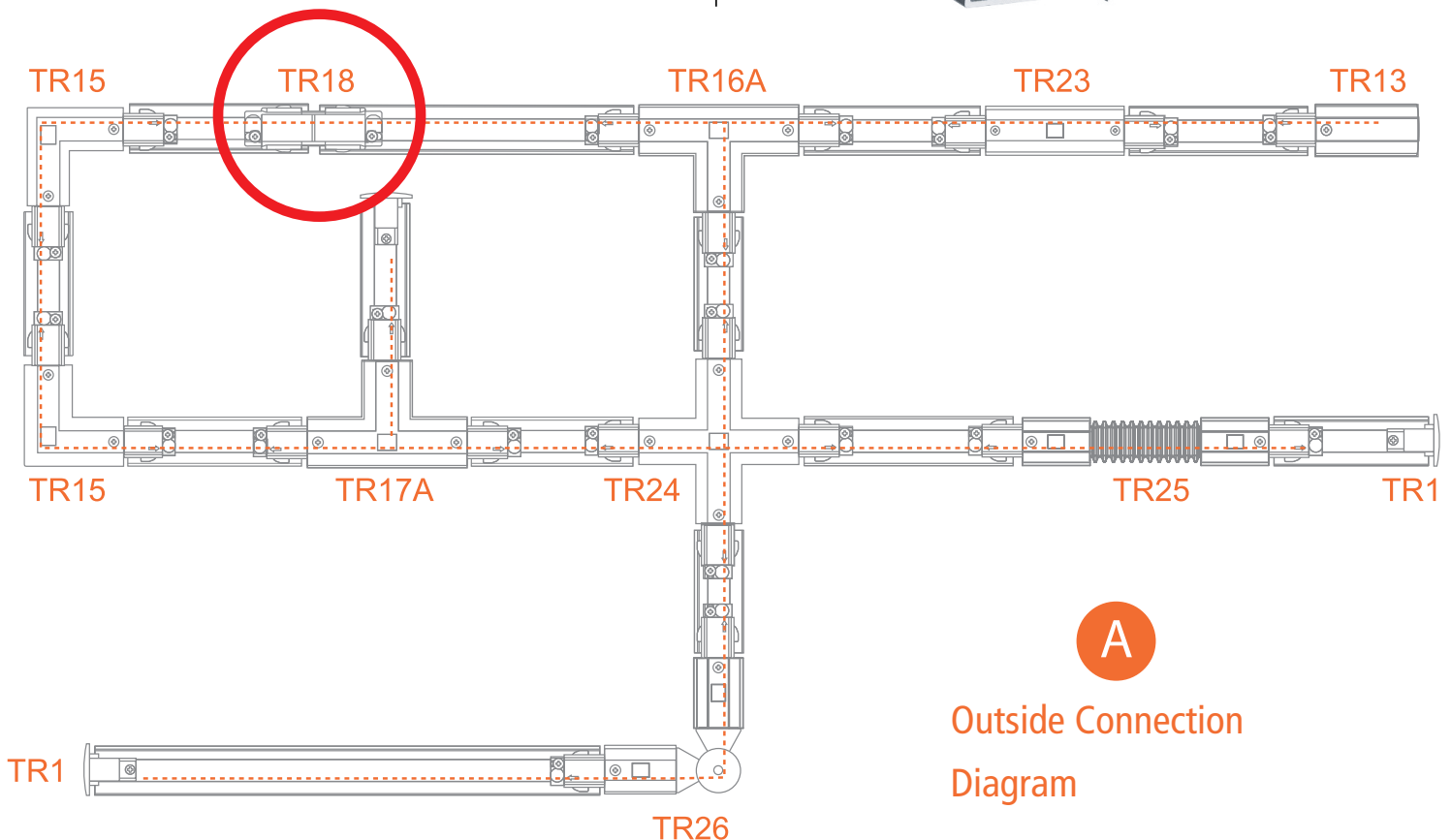
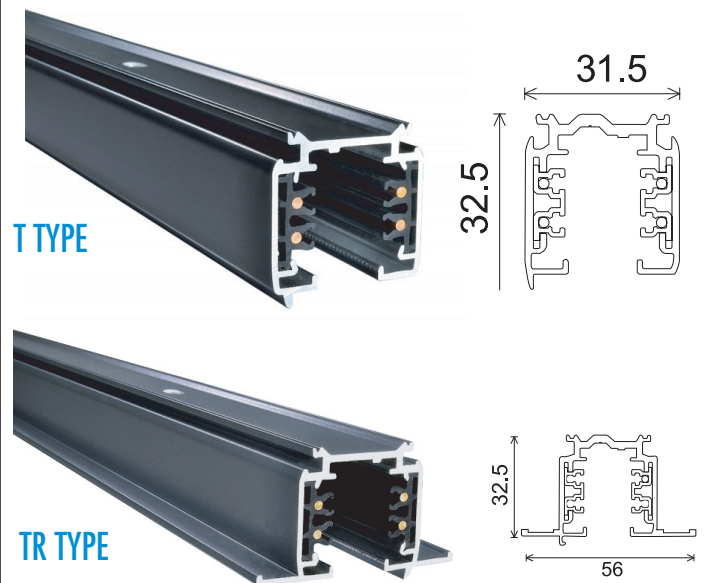
PRODUCT DESCRIPTION

Min joiner A low profile connector to join two straight track sections end-to-end for Three circuit track type T & TR Accessory; surface mounting and recessed version comes in white, black and silver colours. Easy installation, moving or removal.

FIXTURE CONSTRUCTION

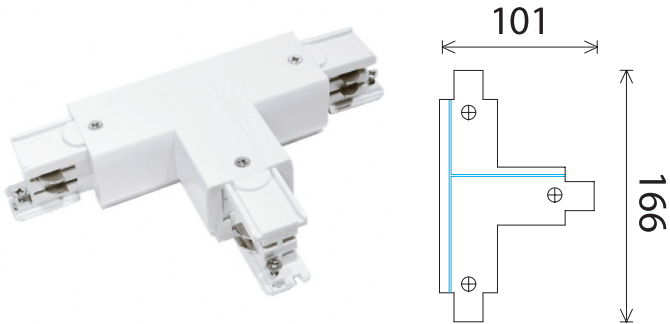
Extruded low profile rigid PC, with two copper 3mm conductors, comes in white balck or silver

This Accessory for T/TR Tracks



A
Outside Connection
Diagram

TR16A T Connector (Left)



General Data

Lamp Power	16 A
Lenght	/
Track Color	White ,Silver, Black
IP Rating	IP20
Input voltage	AC 230/240V

Ordering Options

Part Number	Trim color
TR16AWH	White
TR16ASL	Silver
TR16ABL	Black

APPLICATIONS

Used with spot ligts for highlighting or general lighting in retail, commercial and Residential.

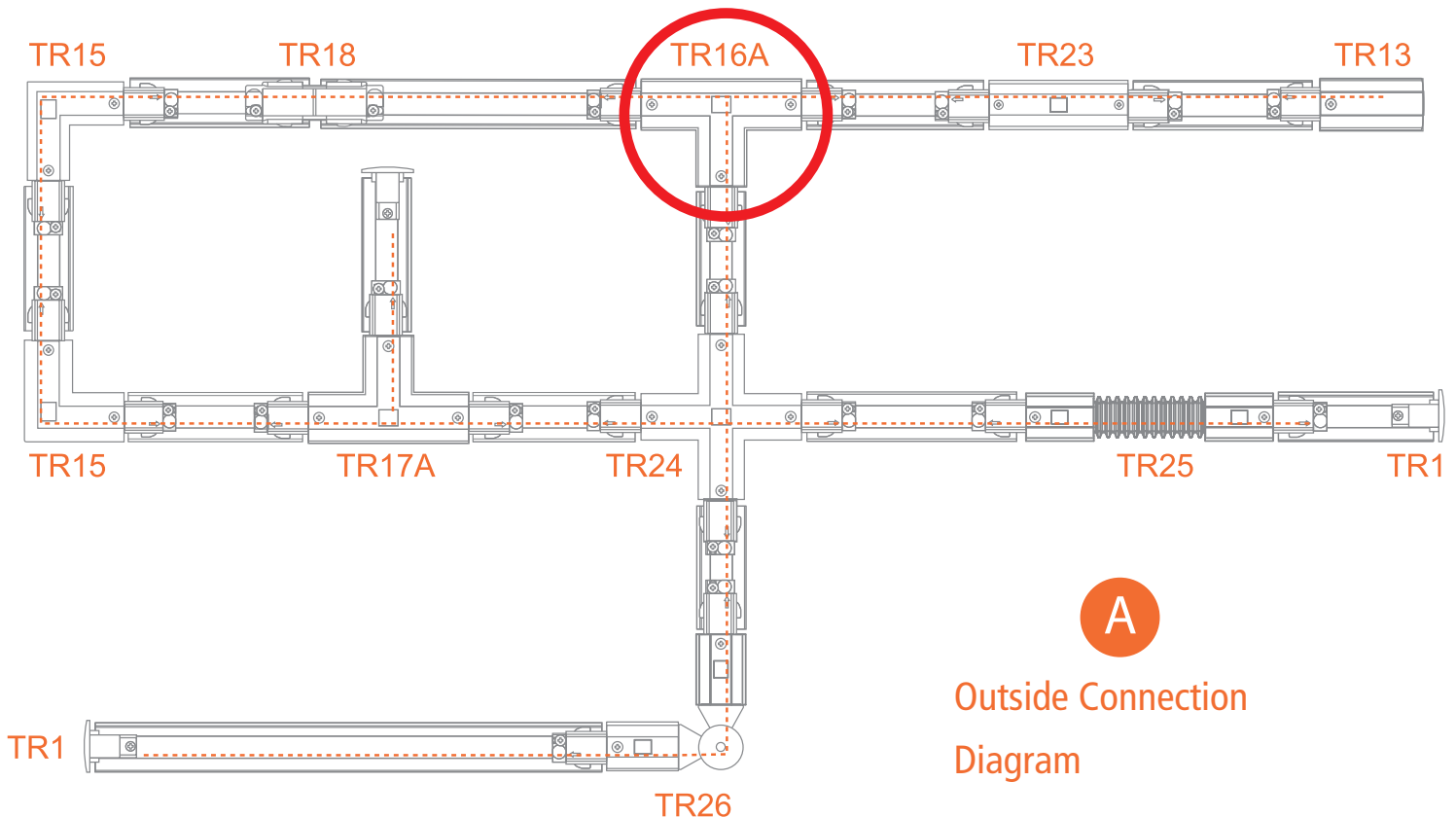
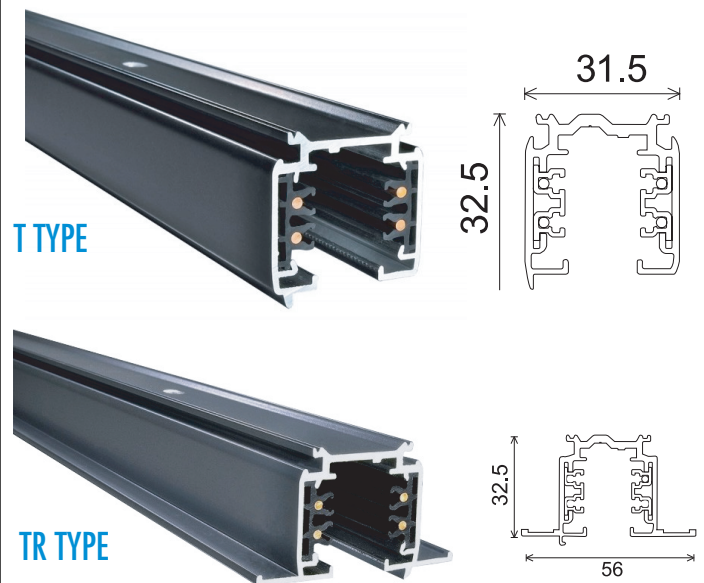
PRODUCT DESCRIPTION

"T" connector To connect three track sections into a T configuration for Three circuit track type T & TR Accessory; surface mounting and recessed version comes in white, black and silver colours. Easy installation, moving or removal.

FIXTURE CONSTRUCTION

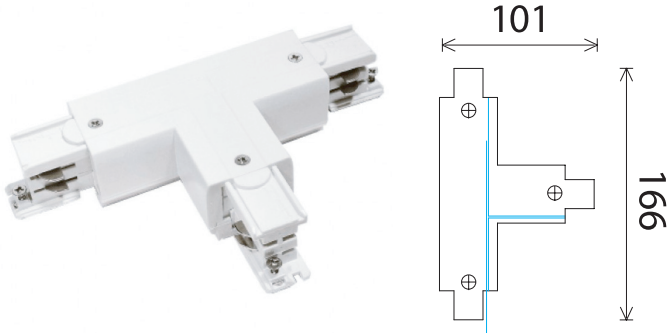
Extruded low profile rigid PC, with two copper 3mm conductors, comes in white balck or silver

This Accessory for T/TR Tracks



A
Outside Connection
Diagram

TR16B T Connector (RIGHT)



General Data

Lamp Power	16 A
Lenght	/
Track Color	White ,Silver, Black
IP Rating	IP20
Input voltage	AC 230/240V

Ordering Options

Part Number	Trim color
TR16BWH	White
TR16BSL	Silver
TR16BBL	Black

APPLICATIONS

Used with spot ligts for highlighting or general lighting in retail, commercial and Residential.

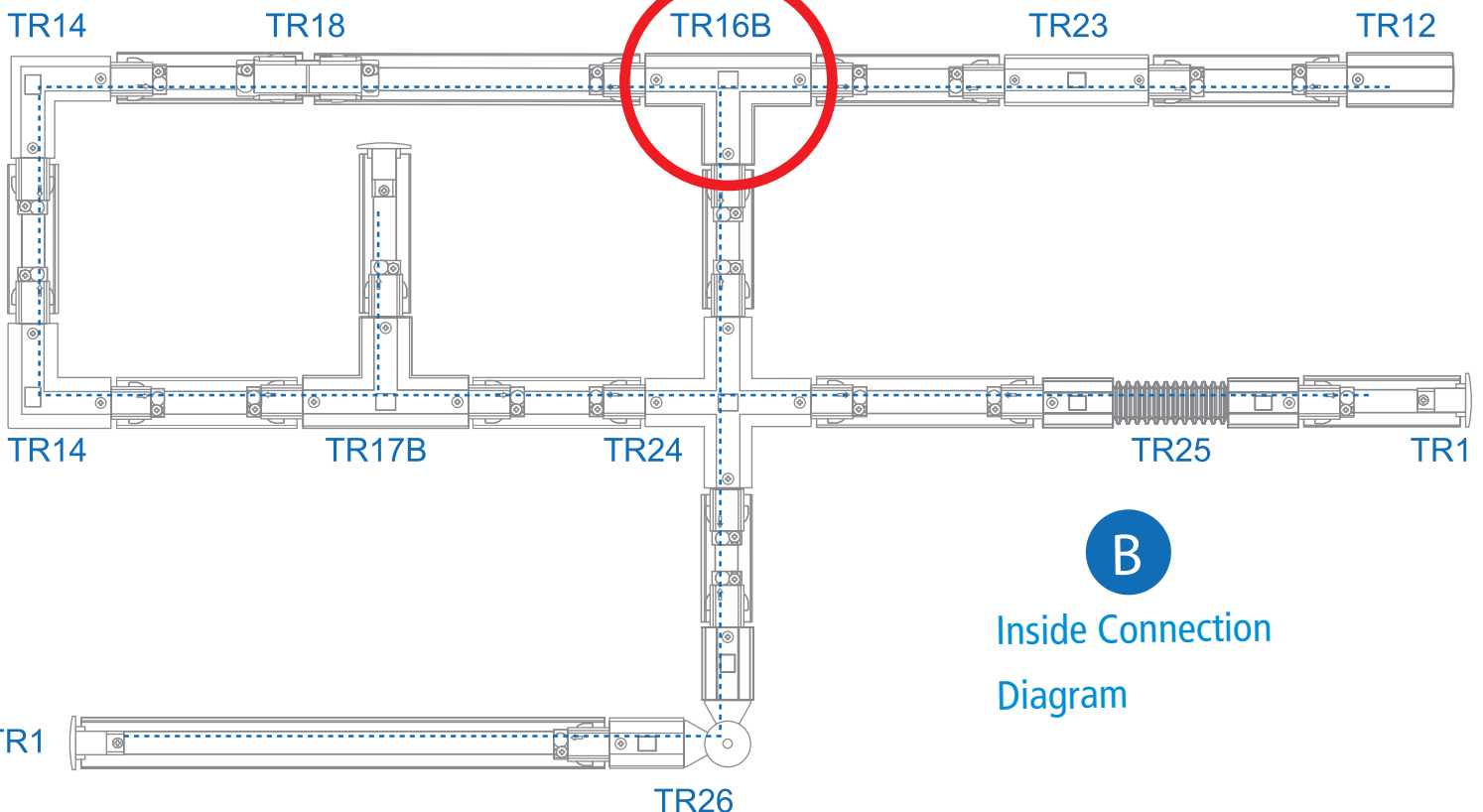
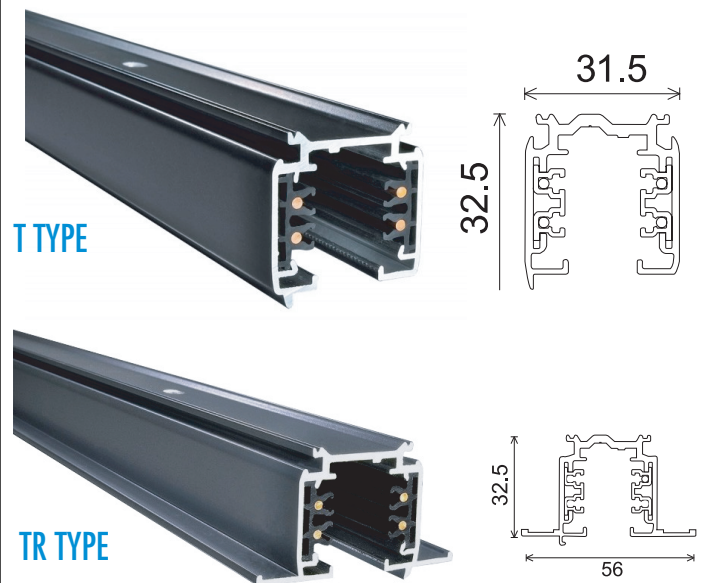
PRODUCT DESCRIPTION

"T" connector To connect three track sections into a T configuration for Three circuit track type T & TR Accessory; surface mounting and recessed version comes in white, black and silver colours. Easy installation, moving or removal.

FIXTURE CONSTRUCTION

Extruded low profile rigid PC, with two copper 3mm conductors, comes in white balck or silver

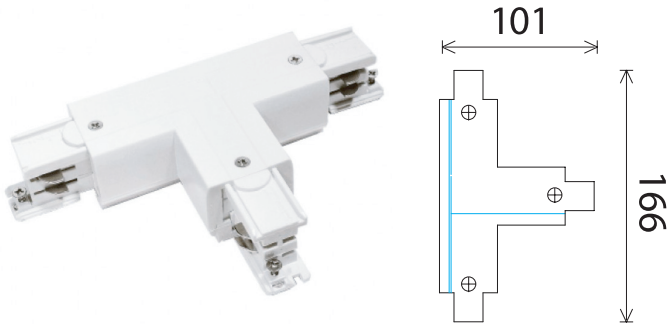
This Accessory for T/TR Tracks



B

Inside Connection
Diagram

TR17A T Connector (Right)



General Data

Lamp Power	16 A
Lenght	/
Track Color	White ,Silver, Black
IP Rating	IP20
Input voltage	AC 230/240V

Ordering Options

Part Number	Trim color
TR17AWH	White
TR17ASL	Silver
TR17ABL	Black

APPLICATIONS

Used with spot ligts for highlighting or general lighting in retail, commercial and Residential.

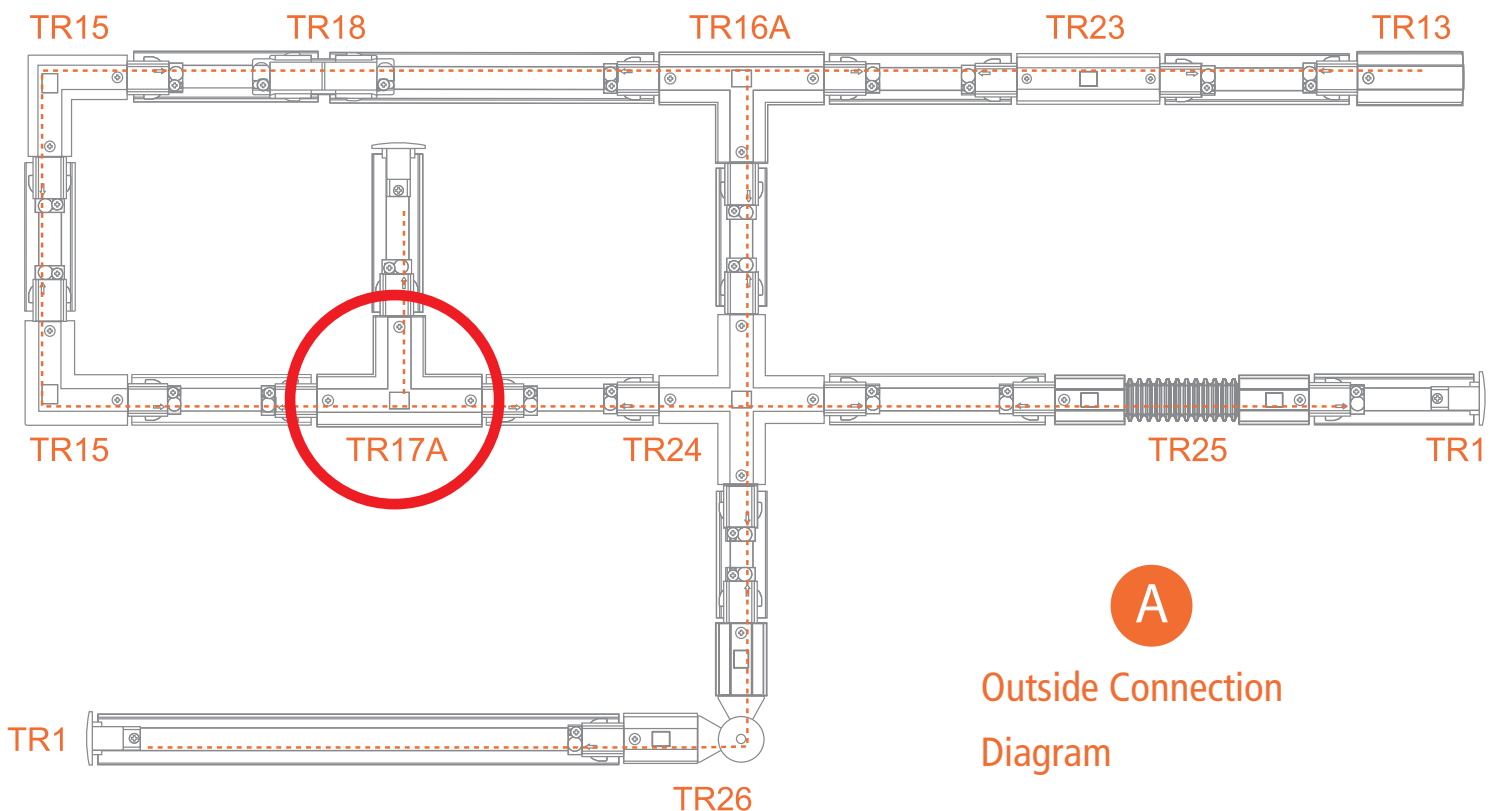
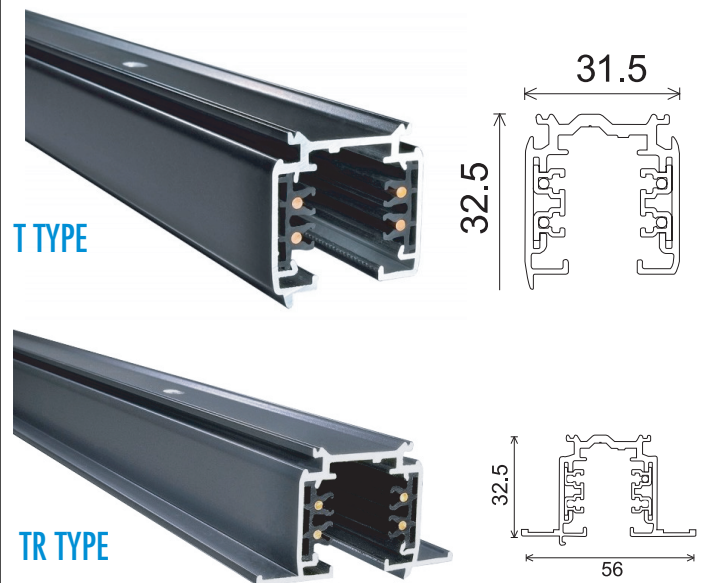
PRODUCT DESCRIPTION

"T" connector To connect three track sections into a T configuration for Three circuit track type T & TR Accessory; surface mounting and recessed version comes in white, black and silver colours. Easy installation, moving or removal.

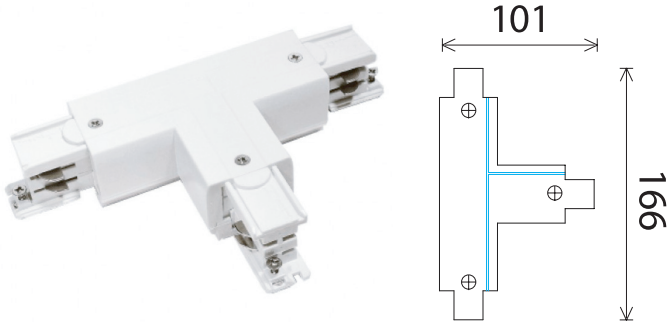
FIXTURE CONSTRUCTION

Extruded low profile rigid PC, with two copper 3mm conductors, comes in white ro balck or silver

This Accessory for T/TR Tracks



TR17B T Connector (Left)



General Data

Lamp Power	16 A
Lenght	/
Track Color	White ,Silver, Black
IP Rating	IP20
Input voltage	AC 230/240V

Ordering Options

Part Number	Trim color
TR17BWH	White
TR17BSL	Silver
TR17BBL	Black

APPLICATIONS

Used with spot ligts for highlighting or general lighting in retail, commercial and Residential.

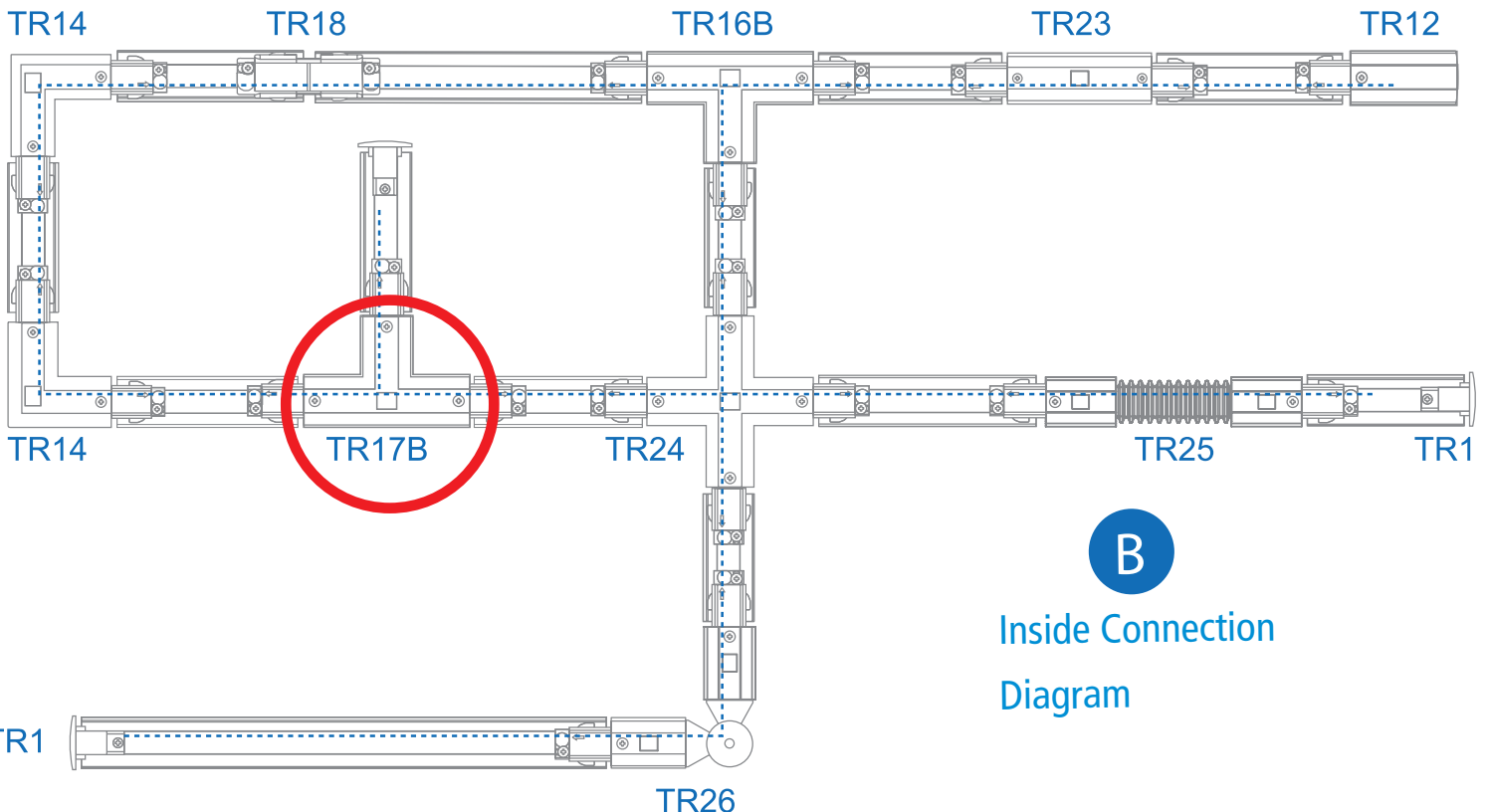
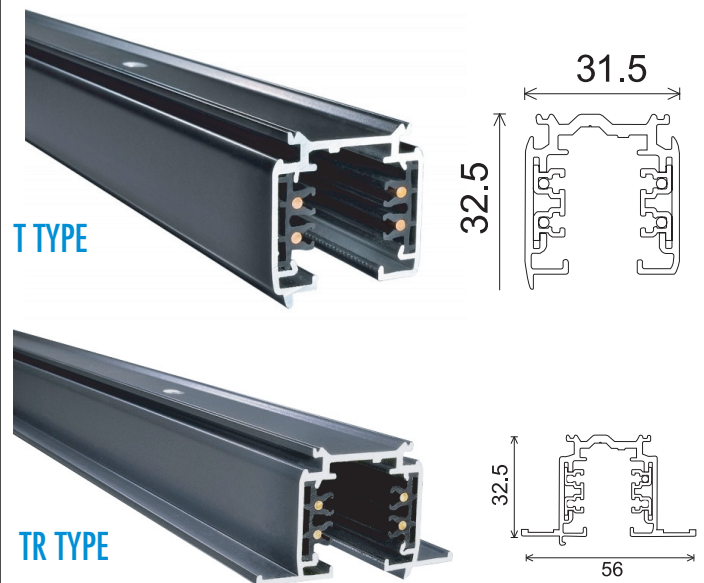
PRODUCT DESCRIPTION

"T" connector To connect three track sections into a T configuration for Three circuit track type T & TR Accessory; surface mounting and recessed version comes in white, black and silver colours. Easy installation, moving or removal.

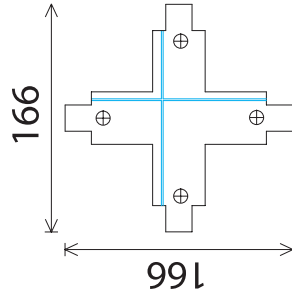
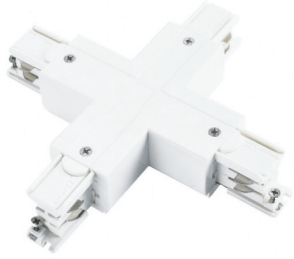
FIXTURE CONSTRUCTION

Extruded low profile rigid PC, with two copper 3mm conductors, comes in white balck or silver

This Accessory for T/TR Tracks



TR24 X Connector



General Data

Lamp Power	16 A
Lenght	/
Track Color	White ,Silver, Black
IP Rating	IP20
Input voltage	AC 230/240V

Ordering Options

Part Number	Trim color
TR24WH	White
TR24SL	Silver
TR24BL	Black

APPLICATIONS

Used with spot ligts for highlighting or general lighting in retail, commercial and Residential.

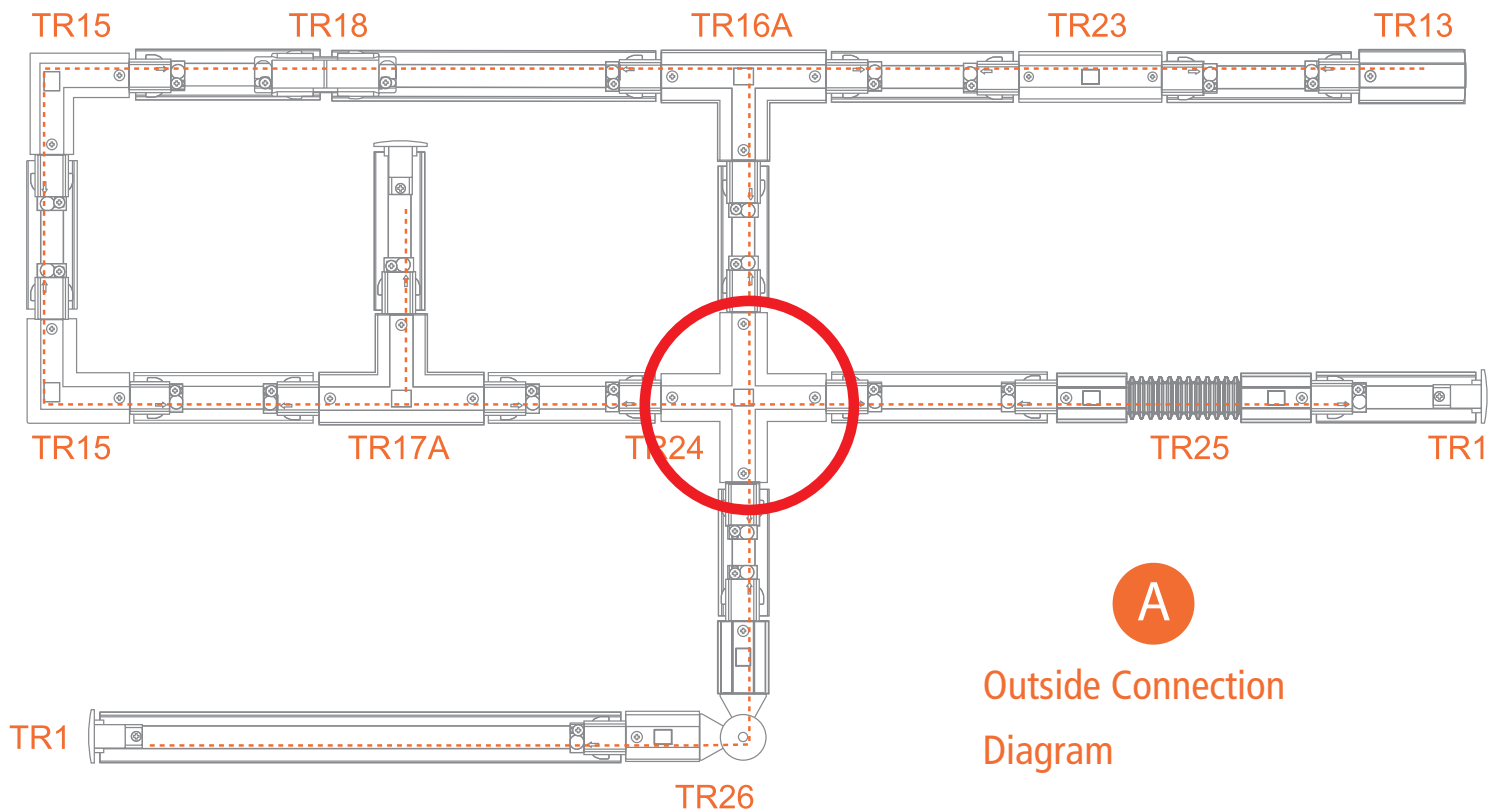
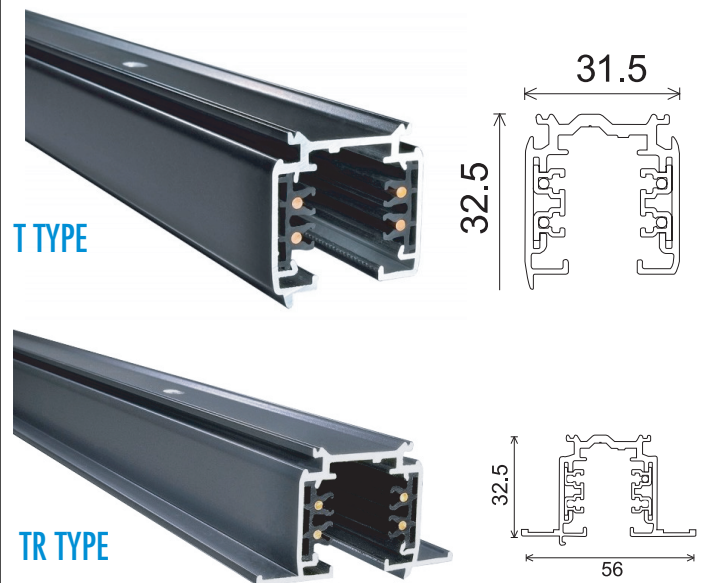
PRODUCT DESCRIPTION

"+" connector To connect four track sections into a cross configuration for Three circuit track type T & TR Accessory; surface mounting and recessed version comes in white, black and silver colours. Easy installation, moving or removal.

FIXTURE CONSTRUCTION

Extruded low profile rigid PC, with two copper 3mm conductors, comes in white ro balck or silver

This Accessory for T/TR Tracks



A
Outside Connection
Diagram