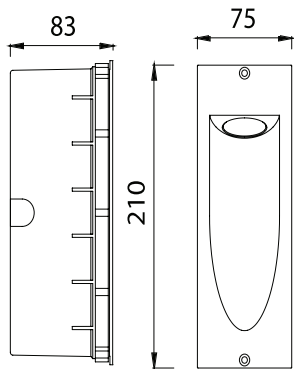


# XL marlin Lighting

## Exterior Wall Recessed Lighting ( XLST3650E6W ) Installation Instruction

The user: thank you for your purchase use this product, read this instruction manual before usage

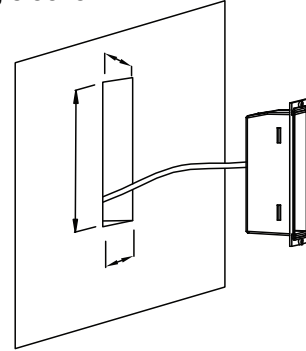
1. Model: XLST3650E6W
2. Rated Voltage: 110-240V/50-60Hz
3. Rated Power: 6W
4. IP Grade: IP65
5. Insulation protection level: Class I
6. Operating Temperature: -20°-40°



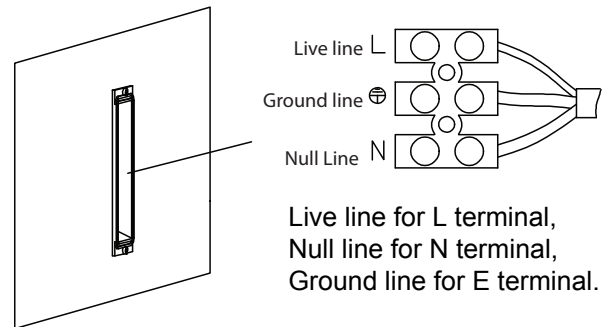
- Always disconnect the power supply before installing or performing any maintenance operations.
- Installation should be carried out by a suitably qualified person in accordance with good electrical practice and the appropriate national wiring regulations.
- These luminaires are widely used in commercial lighting, home decoration lighting, art gallery and museums.
- Only can be touched after 3 minutes later when power off, so as to avoid burns.
- Dismantling and refit are forbidden
- Installation on inflammables is forbidden.

If the external flexible cable or cord of this luminaire is damaged, it shall be exclusively replaced by the manufacturer or his service agent or a similar qualified person in order to avoid a hazard.

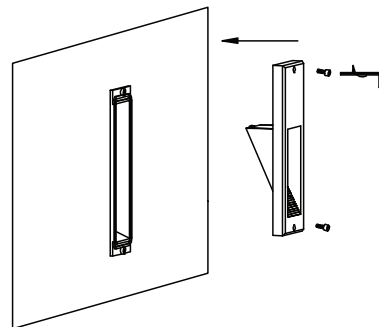
1. Prepare the wall Dug a hole according to the dimension of the mounting sleeve.



2. Connect the cable .



3. Push the cover into the Recessed Box, and fix it with provided screws



4. Connect the power supply, light up the lamp.