

M1 - End Cap M10



General Data

Lamp Power	/
Lenght	/
Track Color	White ,Silver, Black
IP Rating	IP20
Input voltage	/

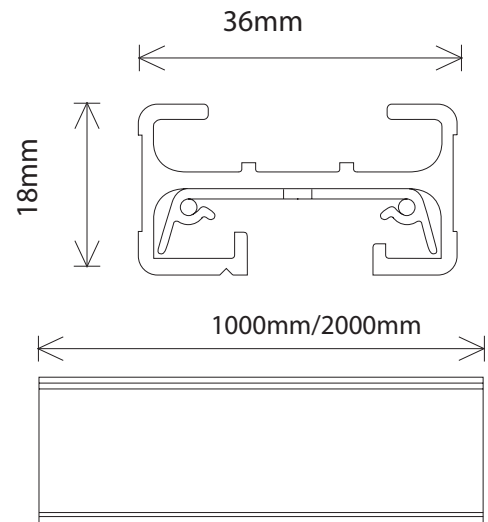
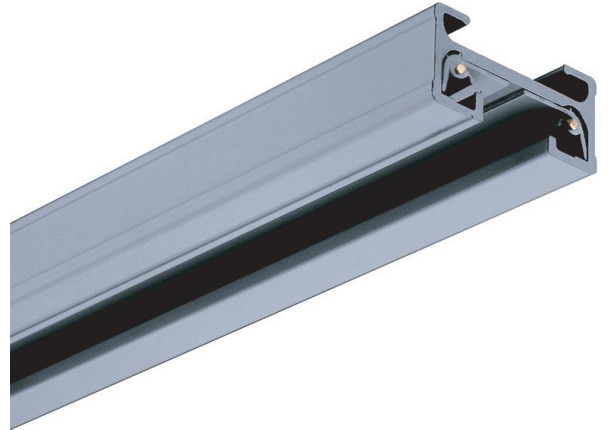
Ordering Options

Part Number	Trim color
M10WH	White
M10SL	Silver
M10BL	Black

APPLICATIONS

Single circuit track type M accessory; surface mounting version comes in white, black and silver colours. Easy installation, moving or removal.

Single Circuit Tracks Accessory to be used with M1 / M2 Tracks



M1 - Live End M11



General Data

Lamp Power	16 A
Lenght	/
Track Color	White ,Silver, Black
IP Rating	IP20
Input voltage	AC 230/240V

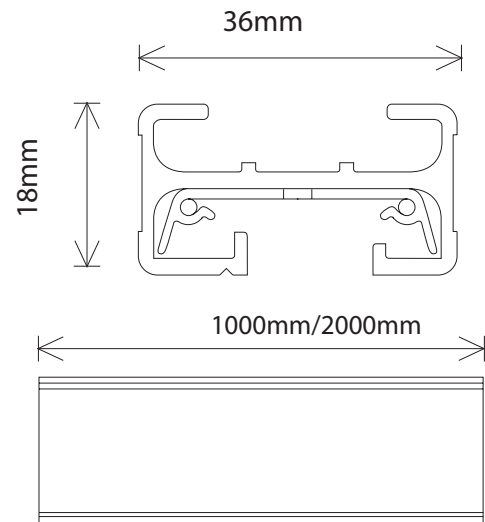
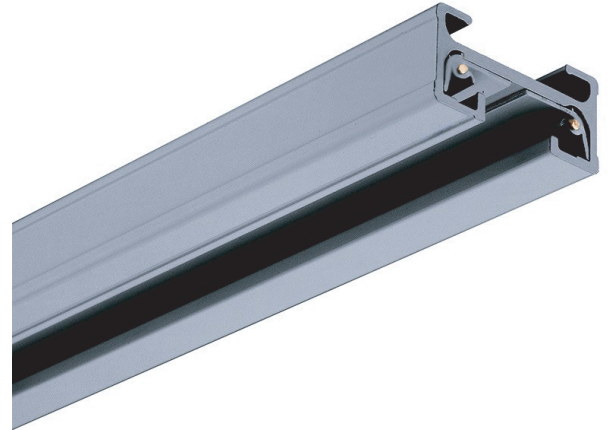
Ordering Options

Part Number	Trim color
M11WH	White
M11SL	Silver
M11BL	Black

APPLICATIONS

Single circuit track type M accessory; surface mounting version comes in white, black and silver colours. Easy installation, moving or removal.

Single Circuit Tracks Accessory to be used with M1 / M2 Tracks



M1 - Straight Connector M12



General Data

Lamp Power	16 A
Lenght	/
Track Color	White ,Silver, Black
IP Rating	IP20
Input voltage	AC 230/240V

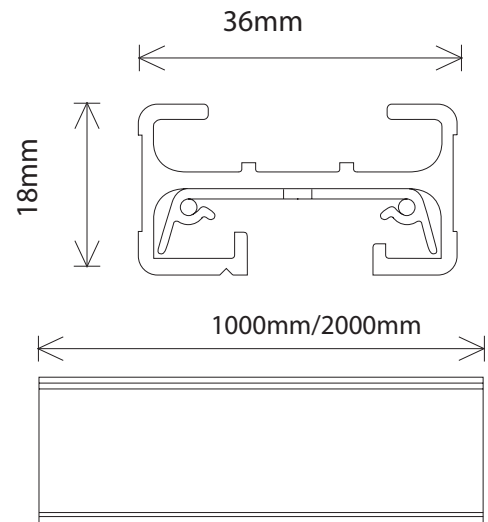
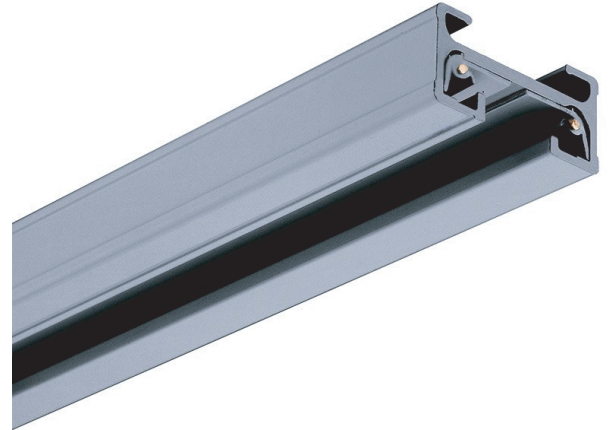
Ordering Options

Part Number	Trim color
M12WH	White
M12SL	Silver
M12BL	Black

APPLICATIONS

Single circuit track type M accessory; surface mounting version comes in white, black and silver colours. Easy installation, moving or removal.

Single Circuit Tracks Accessory to be used with M1 / M2 Tracks



M1 - L Connector M13



General Data

Lamp Power	16 A
Lenght	/
Track Color	White ,Silver, Black
IP Rating	IP20
Input voltage	AC 230/240V

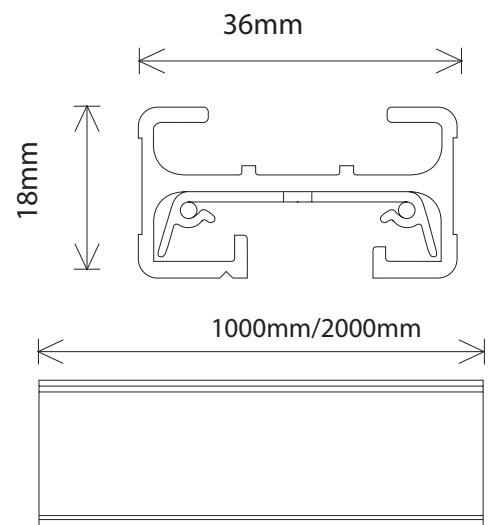
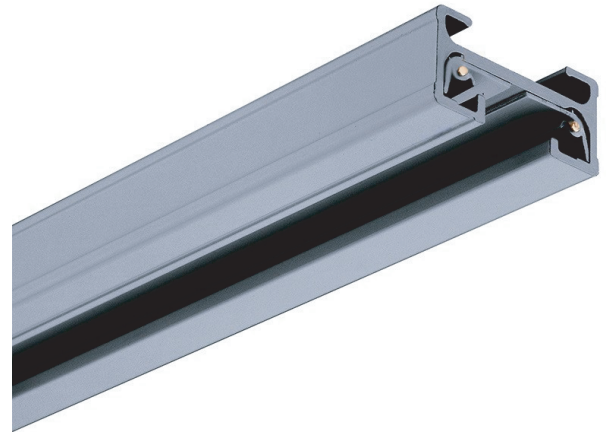
Ordering Options

Part Number	Trim color
M13WH	White
M13SL	Silver
M13BL	Black

APPLICATIONS

Single circuit track type M accessory; surface mounting version comes in white, black and silver colours. Easy installation, moving or removal.

Single Circuit Tracks Accessory to be used with M1 / M2 Tracks



M1 -T Connector M14



General Data

Lamp Power	16 A
Lenght	/
Track Color	White ,Silver, Black
IP Rating	IP20
Input voltage	AC 230/240V

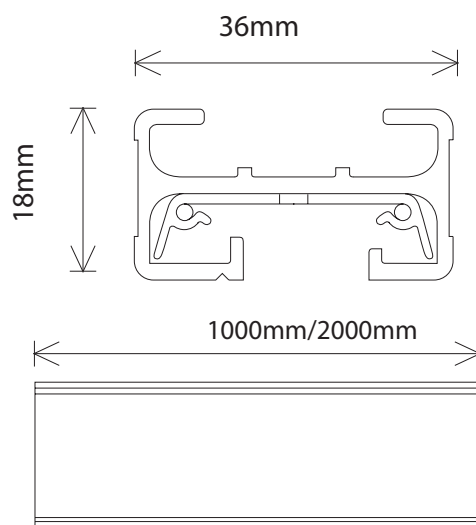
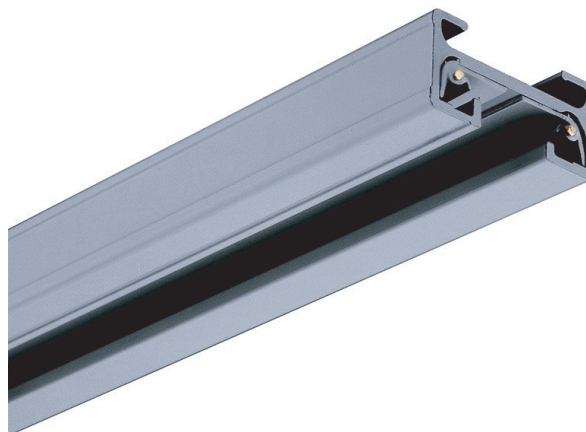
Ordering Options

Part Number	Trim color
M14WH	White
M14SL	Silver
M14BL	Black

APPLICATIONS

Single circuit track type M accessory; surface mounting version comes in white, black and silver colours. Easy installation, moving or removal.

Single Circuit Tracks Accessory to be used with M1 / M2 Tracks



M1 -X Connector M15



General Data

Lamp Power	16 A
Lenght	/
Track Color	White ,Silver, Black
IP Rating	IP20
Input voltage	AC 230/240V

Ordering Options

Part Number	Trim color
M15WH	White
M15SL	Silver
M15BL	Black

APPLICATIONS

Single circuit track type M accessory; surface mounting version comes in white, black and silver colours. Easy installation, moving or removal.

Single Circuit Tracks Accessory to be used with M1 / M2 Tracks

