

**Model: OLSSL30W**



**General Data**

Power	30 Watts
LED type	1 PC COB LED 30W
Luminous flux	3144 lm
CCT	3000K or 4000K as standard. Different CCT upon request.
CRI	80+
Beam angle	18° 24° 36° 60°
Dimension	Ø220x521mm
Cut out dia.	/
Lamp Life	50000 hrs
SDCM	≤5
Oper. Temp.	-20-40°C
Certifications	CE, RoHS

**Construction Data**

IP rating	IP65 Waterproof
IK rating	IK04
Housing	Die-casting Aluminum body
Glass	Clear tempered glass; with Anti-glare
Cable Gland	PG7 IP67
Gasket	silicone strip seal

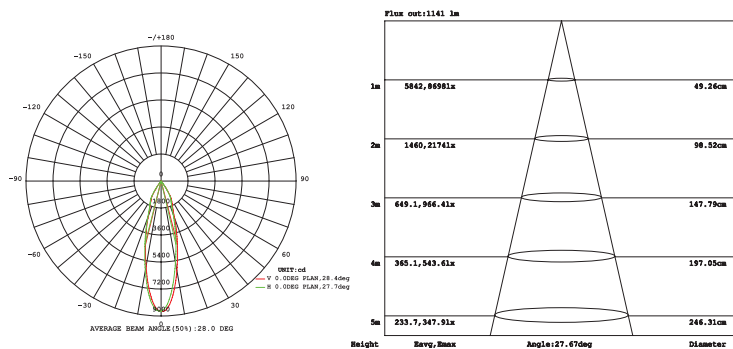
**Electrical Data**

Input voltage	110-240V/50-60Hz
Insulation class	Class I
Cable	3*1mm2 wire

**Accessories**

**Spike** PVC spike (Standard)

**Photometric Data**



**APPLICATIONS**

These luminaires are designed using weatherproof and non-corrosive materials, widely used in exterior applications, such as lighting architectural features, landscape features, gardens, parks, footpaths etc.

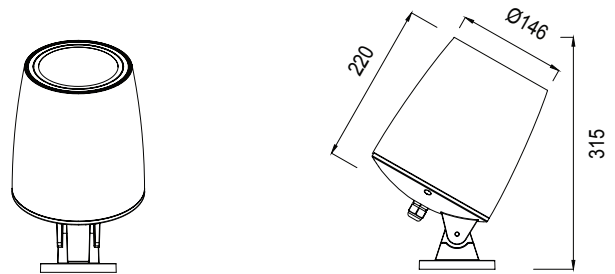
**PRODUCT DESCRIPTION**

Projector luminaire for outdoor installation, aluminium body, Glass diffuser, stainless steel screws, available with the flexibility of spike mounting for landscape installation. Low power CREE COB LED, IP67 rating.

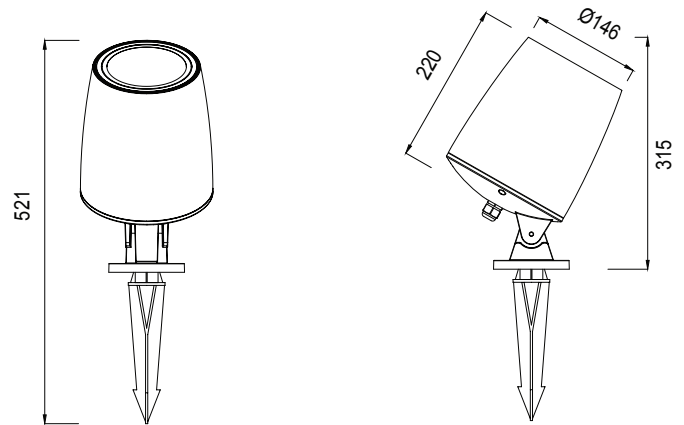
**FIXTURE CONSTRUCTION**

Die-casting Aluminum body, Clear tempered glass. Built-in high voltage constant current driver with transformer high loading capacity, silicone gasket and cable gland for waterproof PG7 IP67

**Dimension Drawing**



Stand Alone



With Spike

**Lamp Options**

Part Number	CCT	Beam angle
OLSSL30WC3B18	3000 K	18°
OLSSL30WC4B18	4000 K	18°
OLSSL30WC3B24	3000 K	24°
OLSSL30WC4B24	4000 K	24°
OLSSL30WC3B36	3000 K	36°
OLSSL30WC4B36	4000 K	36°
OLSSL30WC3B60	3000 K	60°
OLSSL30WC4B60	4000 K	60°