

# XL marlin Lighting

## DOWNLIGHT Prolux IP20

### Model: PR8F50IP20WH



#### General Data

Power	52W
LED type	LED SMD
Luminous flux	6188 lm
CCT	3000K or 4000K as standard. Different CCT upon request.
CRI	>83 Ra
Beam angle	90°
Dimension	Ø233x87 mm
Cut out dia.	Ø205 mm
Weight (kgs)	2.65 Kgs
Lamp Life	50000 hrs
SDCM	≤5
Oper. Temp.	C -10°-45°
Certifications	CE, RoHS
Trim Color	White
Dimming	1-10V/DALI

#### Construction Data

IP rating	20 Indoor
Housing	Solid aluminum housing CNC machined body
Protection finishing	passivated (anodizing) anti-corrosion finishing
Glass	Tempered glass diffuser
Loading capacity	/
Cable Gland	IP20
Gasket	Silicone rubber gasket

#### Electrical Data

Input voltage	AC 230~240V
Cable	Cable gland

#### Accessories

Mounted Accessory	/
Clip	/

#### APPLICATIONS

Ideal for general lighting in retail, commercial and domestic applications. Particularly suitable where glare can be an issue because this light fixture has very low glare index

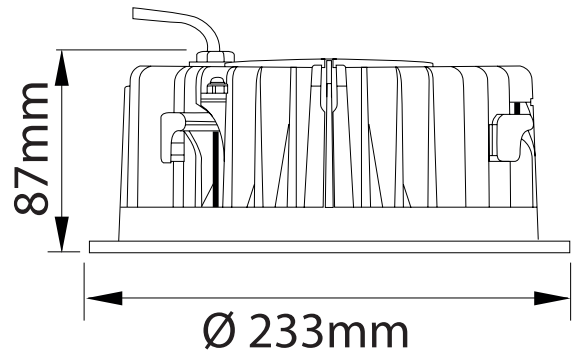
#### PRODUCT DESCRIPTION

Prolux down light is brilliant down light for general lighting, and wet areas made of die cast aluminum body, trim and heat sink, specular reflector to control the glare temperature, and high CRI 83 Ra. dimming is on request. IP20

#### FIXTURE CONSTRUCTION

Easy installation using screw arrangement for fixing from below, the reflector controls the glare and smooth the light beam angle, with forsted diffuser, the robust construction which is made from die cast aluminum and electronic remote driver.

#### Dimension Drawing

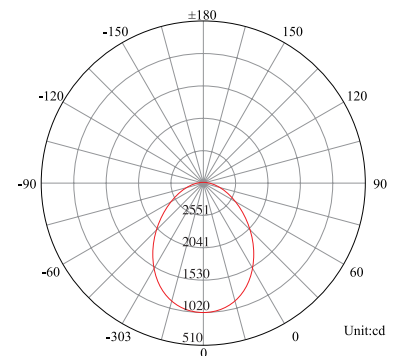


#### Lamp Options

Part Number	CCT	Beam angle
PR8F50IP20WH3	3000 K	90°
PR8F50IP20WH4	4000 K	90°

#### Photometric Data

Light Distribution Curve [Unit: cd]



Lux distance Curve

