

Model: OL5160SQA



General Data

Power	12W
LED type	SMD LED
Luminous flux	780 lm
CCT	3000K or 4000K as standard. Different CCT upon request.
CRI	80+
Beam angle	/
Dimension	160x160x100mm
Cut out dia.	/
Weight (kgs)	1.25 kgs
Lamp Life	50000 hrs
SDCM	≤5
Ambient Temp.	/
RAL Color	80+
Oper. Temp.	/
Certifications	CE, RoHS

Construction Data

IP rating	65 waterproof
Housing	Cast aluminum body
Protection finishing	Graphene powder coating finish
Glass	Tempered glass
Loading capacity	/
Cable Gland	IP65
Gasket	Silicone rubber gasket

Electrical Data

Input voltage	AC110~240V
Cable	Cable gland for waterproof IP54

APPLICATIONS

Elegant and minimal, with clean design and perfect size, it has a technological core with LED sources perfectly distributed. The IP65 protection and the possibility to integrate protecting grids, let it become part of any architectural scheme both external and internal.

PRODUCT DESCRIPTION

Surface-mounted wall luminaire for outdoor installation, aluminum body, Glass diffuser, stainless steel screws, Low power SMD LED, IP65 rating.

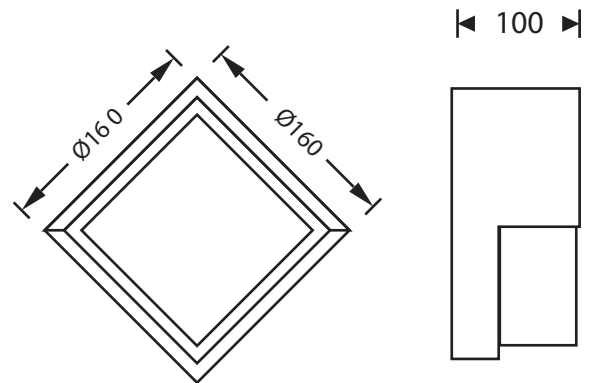
FIXTURE CONSTRUCTION

Cast aluminum body, with passivated (anodizing) anticorrosion finishing, stainless steel screws, silicon seal gaskets and cable gland for waterproof IP65

Accessories

- Mounting Sleeve /
- Clip /

Dimension Drawing

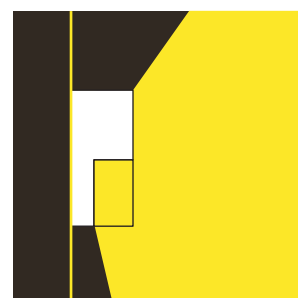


Lamp Options

Part Number	CCT	Beam angle
OL5160SQAC3	3000 K	/
OL5160SQAC4	4000 K	/

Photometric Data

Illumination Drawing



Model: OL5160SQB



General Data

Power	12W
LED type	SMD LED
Luminous flux	780 lm
CCT	3000K or 4000K as standard. Different CCT upon request.
CRI	80+
Beam angle	/
Dimension	160x160x100mm
Cut out dia.	/
Weight (kgs)	1.15 kgs
Lamp Life	50000 hrs
SDCM	≤5
Ambient Temp.	/
RAL Color	80+
Oper. Temp.	/
Certifications	CE, RoHS

Construction Data

IP rating	65 waterproof
Housing	Cast aluminum body
Protection finishing	Graphene powder coating finish
Glass	Tempered glass
Loading capacity	/
Cable Gland	IP65
Gasket	Silicone rubber gasket

Electrical Data

Input voltage	AC110~240V
Cable	Cable gland for waterproof IP54

APPLICATIONS

Elegant and minimal, with clean design and perfect size, it has a technological core with LED sources perfectly distributed. The IP65 protection and the possibility to integrate protecting grids, let it become part of any architectural scheme both external and internal.

PRODUCT DESCRIPTION

Surface-mounted wall luminaire for outdoor installation, aluminum body, Glass diffuser, stainless steel screws, Low power SMD LED, IP65 rating.

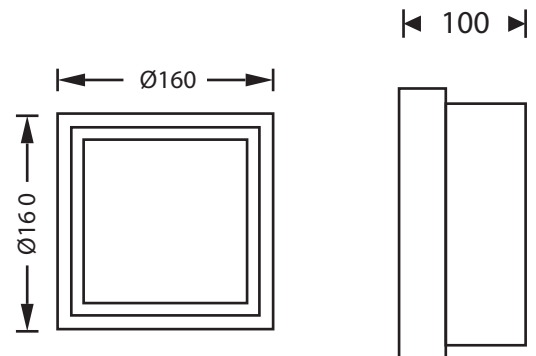
FIXTURE CONSTRUCTION

Cast aluminum body, with passivated (anodizing) anticorrosion finishing, stainless steel screws, silicon seal gaskets and cable gland for waterproof IP65

Accessories

- Mounting Sleeve /
- Clip /

Dimension Drawing

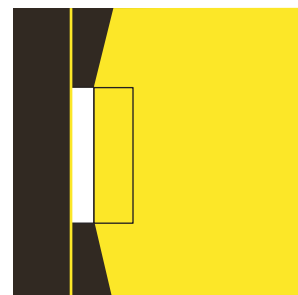


Lamp Options

Part Number	CCT	Beam angle
OL5160SQBC3	3000 K	/
OL5160SQBC4	4000 K	/

Photometric Data

Illumination Drawing



Model: OL5170RA



General Data

Power	12W
LED type	SMD LED
Luminous flux	780 lm
CCT	3000K or 4000K as standard. Different CCT upon request.
CRI	80+
Beam angle	/
Dimension	Ø170x100mm
Cut out dia.	/
Weight (kgs)	0.95 kgs
Lamp Life	50000 hrs
SDCM	≤5
Ambient Temp.	/
RAL Color	80+
Oper. Temp.	/
Certifications	CE, RoHS

Construction Data

IP rating	65 waterproof
Housing	Cast aluminum body
Protection finishing	Graphene powder coating finish
Glass	Tempered glass
Loading capacity	/
Cable Gland	IP65
Gasket	Silicone rubber gasket

Electrical Data

Input voltage	AC110~240V
Cable	Cable gland for waterproof IP54

APPLICATIONS

Elegant and minimal, with clean design and perfect size, it has a technological core with LED sources perfectly distributed. The IP65 protection and the possibility to integrate protecting grids, let it become part of any architectural scheme both external and internal.

PRODUCT DESCRIPTION

Surface-mounted wall luminaire for outdoor installation, aluminum body, Glass diffuser, stainless steel screws, Low power SMD LED, IP65 rating.

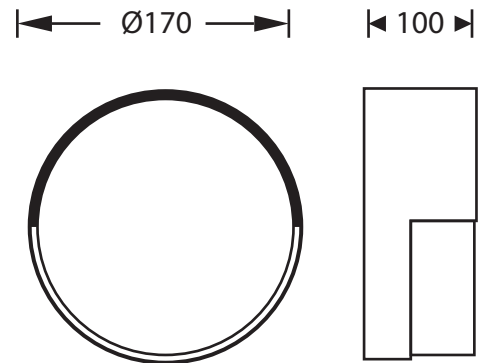
FIXTURE CONSTRUCTION

Cast aluminum body, with passivated (anodizing) anticorrosion finishing, stainless steel screws, silicon seal gaskets and cable gland for waterproof IP65

Accessories

- Mounting Sleeve /
- Clip /

Dimension Drawing

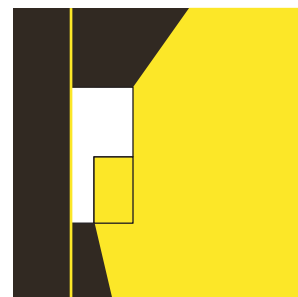


Lamp Options

Part Number	CCT	Beam angle
OL5170RAC3	3000 K	/
OL5170RAC4	4000 K	/

Photometric Data

Illumination Drawing



Model: OL5170RB



General Data

Power	12W
LED type	SMD LED
Luminous flux	780 lm
CCT	3000K or 4000K as standard. Different CCT upon request.
CRI	80+
Beam angle	/
Dimension	Ø170x100mm
Cut out dia.	/
Weight (kgs)	0.8 kgs
Lamp Life	50000 hrs
SDCM	≤5
Ambient Temp.	/
RAL Color	80+
Oper. Temp.	/
Certifications	CE, RoHS

Construction Data

IP rating	65 waterproof
Housing	Cast aluminum body
Protection finishing	Graphene powder coating finish
Glass	Tempered glass
Loading capacity	/
Cable Gland	IP65
Gasket	Silicone rubber gasket

Electrical Data

Input voltage	AC110~240V
Cable	Cable gland for waterproof IP54

APPLICATIONS

Elegant and minimal, with clean design and perfect size, it has a technological core with LED sources perfectly distributed. The IP65 protection and the possibility to integrate protecting grids, let it become part of any architectural scheme both external and internal.

PRODUCT DESCRIPTION

Surface-mounted wall luminaire for outdoor installation, aluminum body, Glass diffuser, stainless steel screws, Low power SMD LED, IP65 rating.

FIXTURE CONSTRUCTION

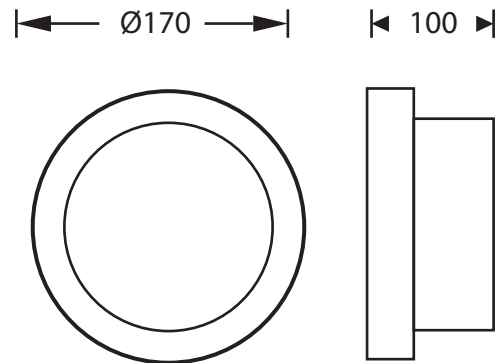
Cast aluminum body, with passivated (anodizing) anticorrosion finishing, stainless steel screws, silicon seal gaskets and cable gland for waterproof IP65

Accessories

Mounting Sleeve /

Clip /

Dimension Drawing



Lamp Options

Part Number	CCT	Beam angle
OL5170RBC3	3000 K	/
OL5170RBC4	4000 K	/

Photometric Data

Illumination Drawing

