

Model: XLFL48W



General Data

Light Source	CREE 88XSMD2835
System Watts	53W-56W
Lumens	6,100lm-6,500lm
Lamp Life	50000 hrs
CRI	>80 Ra
Beam Angle	120°
IP Rating	IP 66
Weight (Kgs)	3.08 Kgs
Voltage	100-240VAC
CCT	3000/4000/5000/5700K
Oper. temp.	-20 to +50 °C
Dimension	330x243x55mm

Construction Data

IP rating	66 waterproof
Housing	Aluminum die-casting body
Bracket	Aluminum
Glass	Tempered glass diffuser
Screws,	Stainless steel
Cable Gland	IP66
Gasket	Silicone rubber gasket

Electrical Data

Input voltage	100-240VAC
Cable	Cable gland for waterproof IP65

Accessories

Bracket	Angle Bracket
Clip	/

APPLICATIONS

Suitable For general lighting indoors or outdoors, commercial and residential applications. Like car parks, stores, industrial plant.

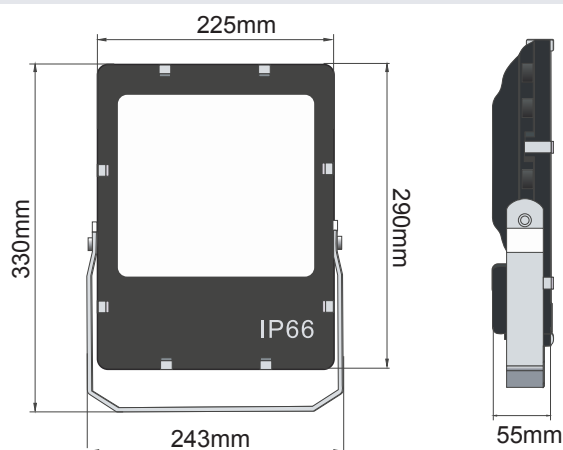
PRODUCT DESCRIPTION

System efficiency up to 130lm/W, 33000/4000/5000/5700K color temperature options, Long lifetime over 50,000 hrs, Meanwell driver optional.

FIXTURE CONSTRUCTION

Aluminum die-casting body, aluminum bracket and stainless steel screws, good corrosion resistance

Dimension Drawing



Lamp Options

Part Number	CCT
XLFL48C3	3000 K
XLFL48C4	4000 K
XLFL48C5	5000 K
XLFL48C57	5700 K

Photometric Data

Light Distribution Curve

