

Model: XLST3654D



General Data

Model Number	XLST3654D10W	XLST3654D15W	XLST3654D20W
Power	10W	15W	20W
LED type	30pcs 2835 LED	30pcs 3030 LED	30pcs 3030 LED
Luminous flux	284.6lm	394lm	533lm
CCT	3000K,4000K,RGBW as standard. Different CCT upon request.		
CRI	80+		
Beam angle	36x154°		
Dimension	246x246x87mm		
Cut out dia.	240x240x95mm		
Lamp Life	50000 hrs		
SDCM	≤5		
Oper. Temp.	-20~40°C		
Certifications	CE, RoHS		

Construction Data

IP rating	IP65 Waterproof
IK rating	IK04
Housing	Die-casting Aluminum
Trim	Die-casting Aluminum
Glass	Frost Glass
Cable Gland	IP67
Gasket	silicone gasket

Electrical Data

Input voltage	110-240V/50Hz 60Hz
Insulation class	Class I
Cable	3*1mm2 wire

Accessories

Mounting sleeve	Hex wrench Iron
-----------------	-----------------

APPLICATIONS

Sharp and minimal design combined with a perfect light beam. This luminaire equipped with LED source, creates a marked blade of light on the wall.

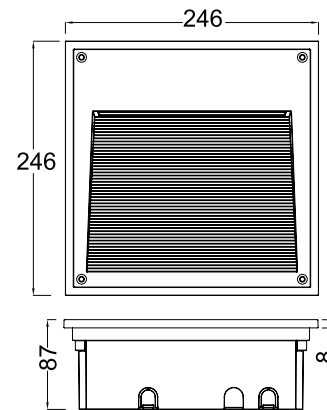
PRODUCT DESCRIPTION

Recessed wall luminaire for outdoor installation, aluminium body, Tempered glass, Low power CREE XPE LED, IP65 rating

FIXTURE CONSTRUCTION

Powder coated painting Aluminium for housing with Powder coated Aluminium trim, with Frost Glass, build-in driver 110-240V/50-60Hz. IP65

Dimension Drawing



Lamp Options

10W lamp options

Part Number	CCT	Beam angle
XLST3654D10WC3	3000 K	36x154°
XLST3654D10WC4	4000 K	36x154°

Lamp Options

15W lamp options

Part Number	CCT	Beam angle
XLST3654D15WC3	3000 K	36x154°
XLST3654D15WC4	4000 K	36x154°

Lamp Options

20W lamp options

Part Number	CCT	Beam angle
XLST3654D20WC3	3000 K	36x154°
XLST3654D20WC4	4000 K	36x154°

Photometric Data

